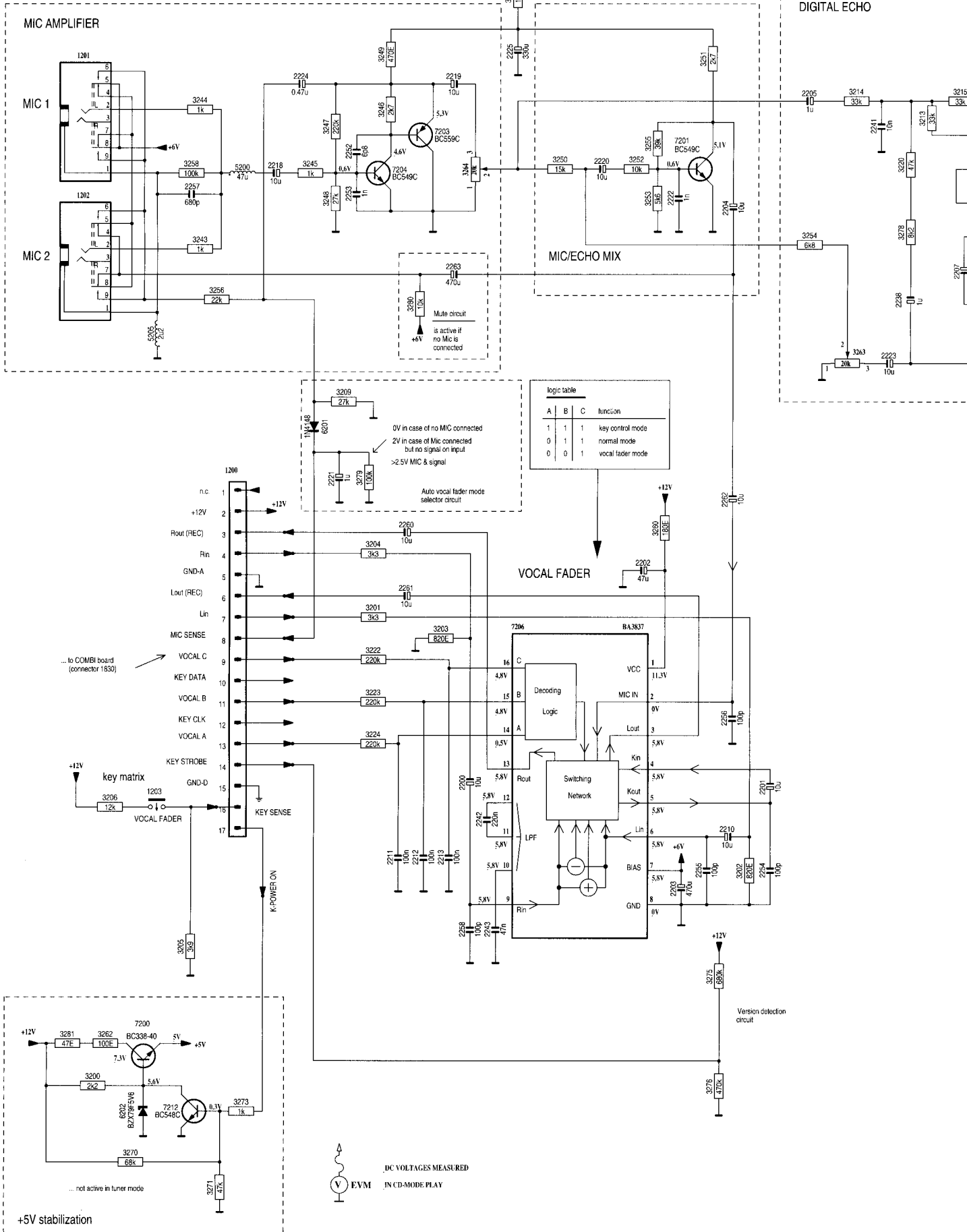
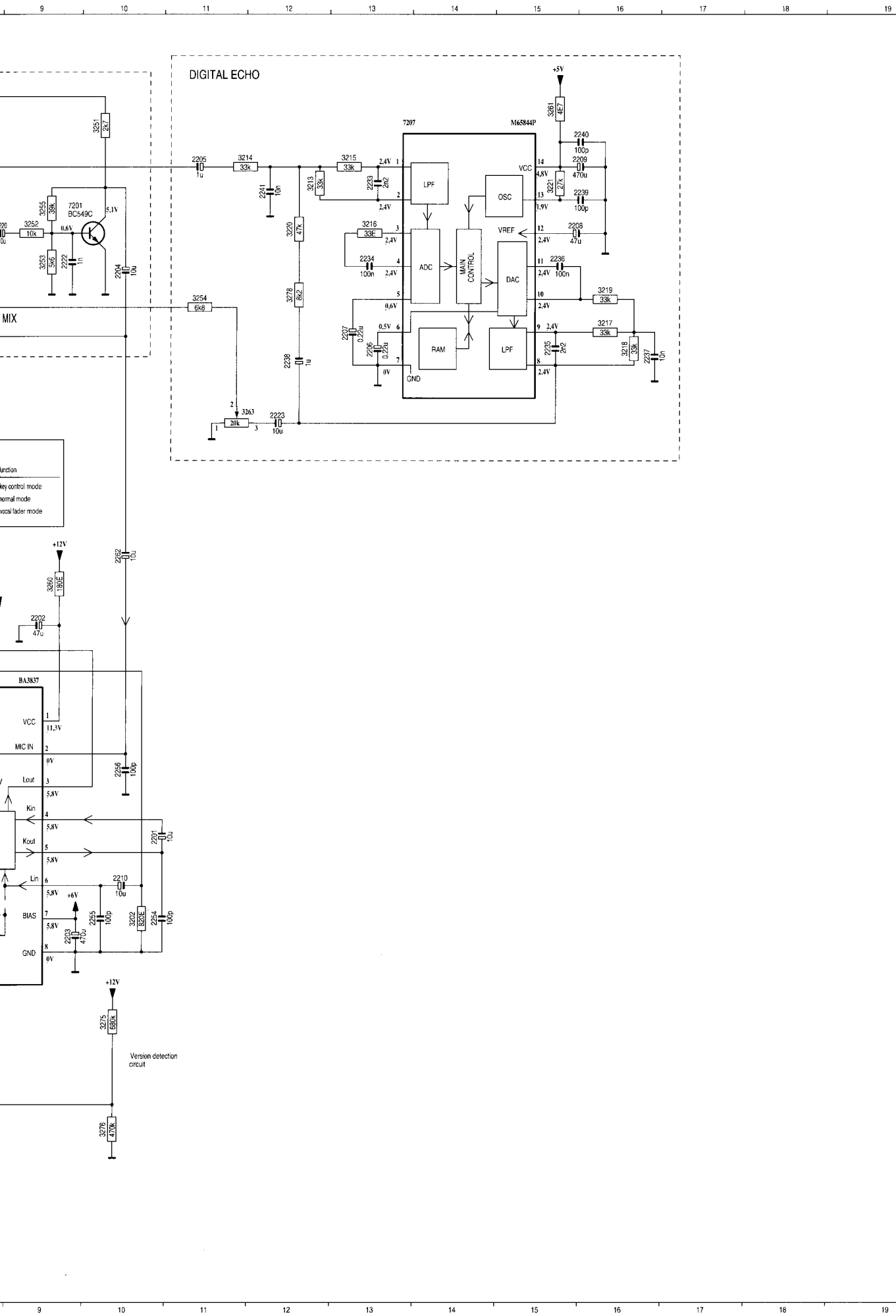
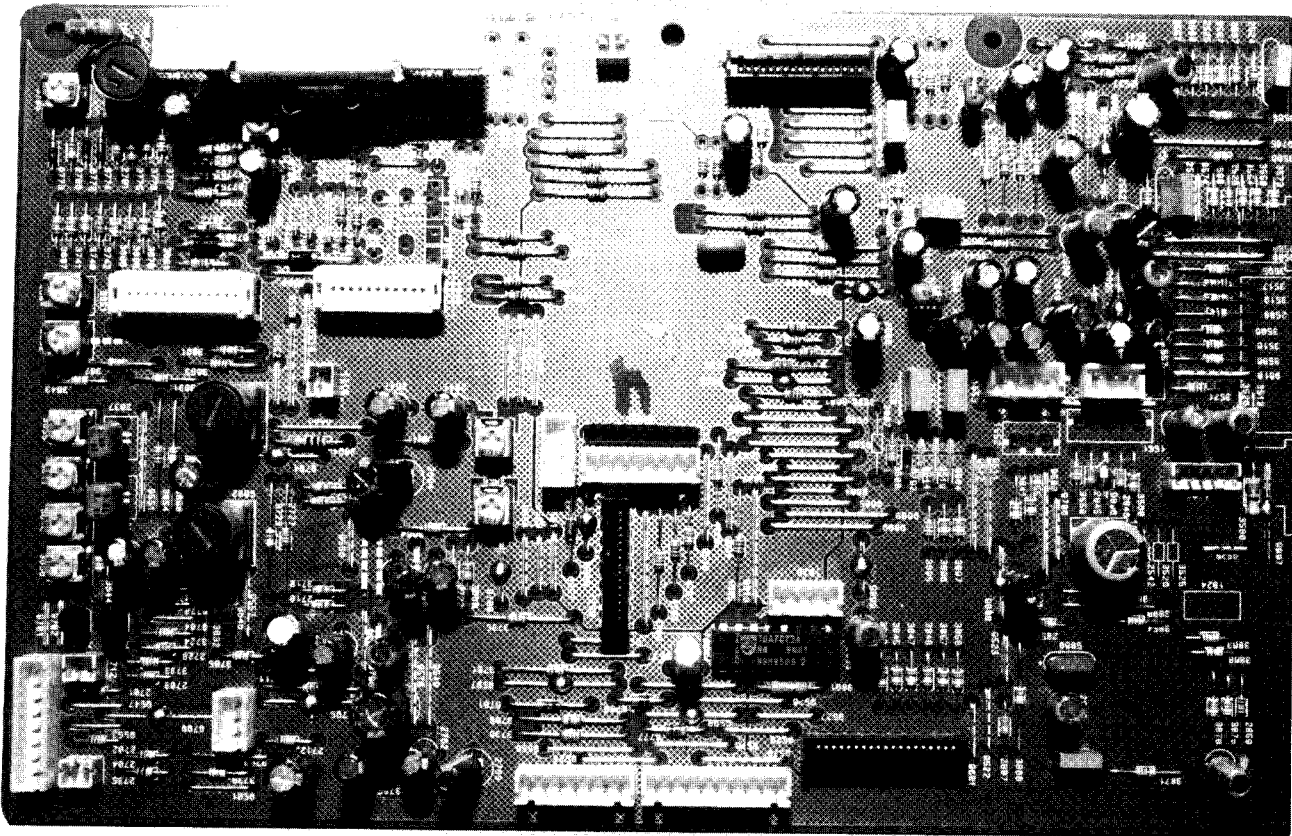


KARAOKE BOARD





- 1200 F 4
- 1201 B 2
- 1202 C 2
- 1203 J 3
- 2200 J 7
- 2201 J10
- 2202 H 9
- 2203 K 9
- 2204 C10
- 2205 B11
- 2206 D13
- 2207 D13
- 2208 C15
- 2209 B16
- 2210 K10
- 2211 K 6
- 2212 K 6
- 2213 K 7
- 2218 C 5
- 2219 B 7
- 2220 C 9
- 2221 E 5
- 2222 C 9
- 2223 E12
- 2224 B 5
- 2225 A 7
- 2233 B13
- 2234 C13
- 2235 D16
- 2236 C15
- 2237 D16
- 2238 D12
- 2239 B16
- 2240 B12
- 2241 B12
- 2242 K 7
- 2243 L 7
- 2252 C 6
- 2253 C 6
- 2254 K10
- 2255 K10
- 2258 H10
- 2257 C 4
- 2258 L 7
- 2260 G 6
- 2261 H 6
- 2262 G10
- 2263 D 7
- 3000 N 2
- 3201 H 6
- 3202 K10
- 3203 H 7
- 3204 G 6
- 3205 L 4
- 3206 J 3
- 3209 F 5
- 3213 B12
- 3214 B11
- 3215 B13
- 3216 D13
- 3217 D16
- 3218 D16
- 3219 D16
- 3220 C12
- 3221 B15
- 3222 I 6
- 3223 I 6
- 3224 J 6
- 3243 D 4
- 3244 B 4
- 3245 C 5
- 3246 B 6
- 3247 B 5
- 3248 C 5
- 3249 A 6
- 3250 C 8
- 3251 B10
- 3252 C 9
- 3253 C 9
- 3254 D11
- 3255 C 9
- 3256 D 4
- 3257 A 7
- 3258 C 4
- 3260 G 9
- 3261 A15
- 3262 M 3
- 3263 E12
- 3264 C 7
- 3270 O 3
- 3271 O 4
- 3273 N 4
- 3275 L10
- 3276 N10
- 3278 D12
- 3279 F 6
- 3280 D 6
- 3281 M 2
- 5000 C 4
- 5205 E 3
- 6201 F 5
- 6302 N 3
- 7200 M 3
- 7201 C 9
- 7203 B 6
- 7204 C 6
- 7206 H 8
- 7207 B13
- 7212 N 4

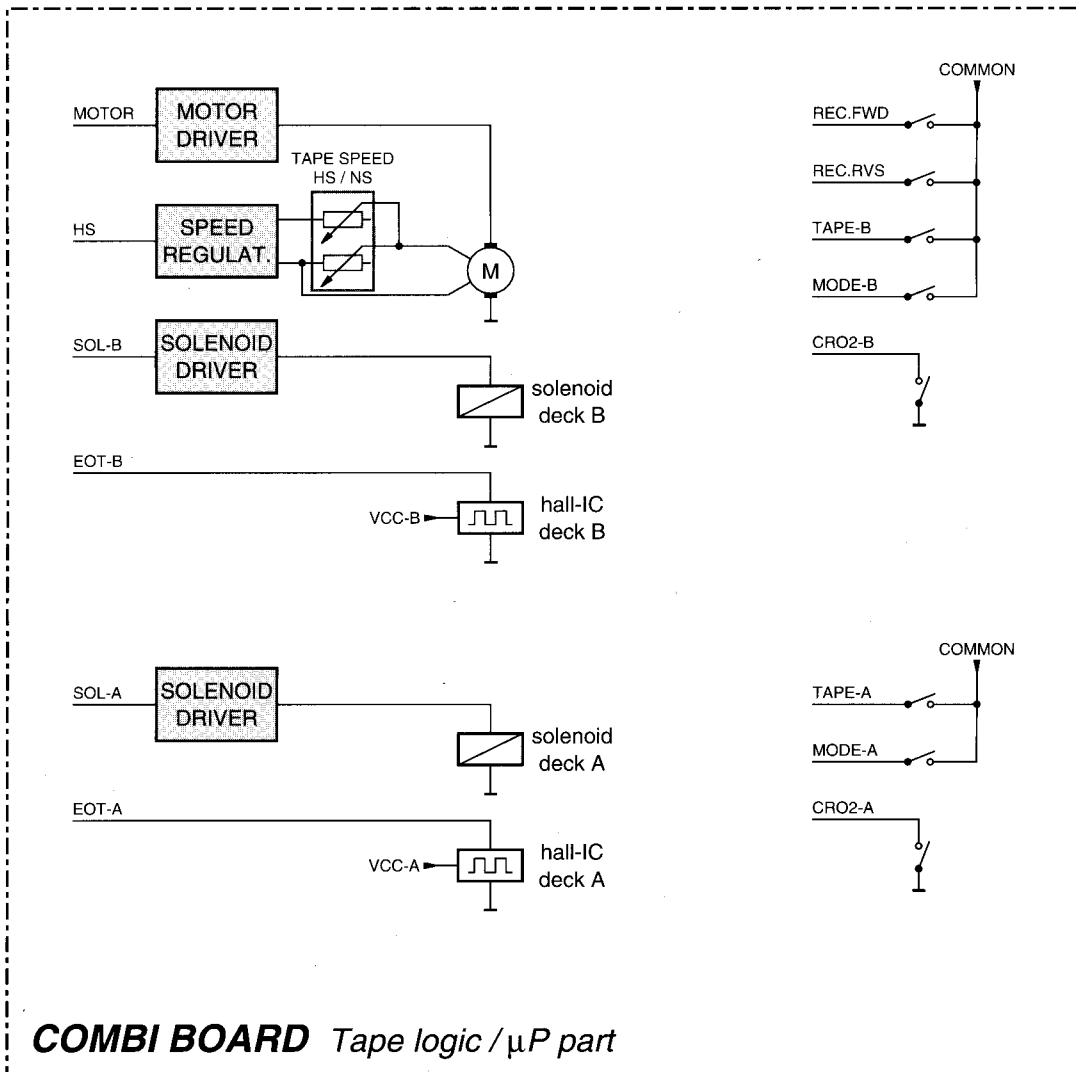
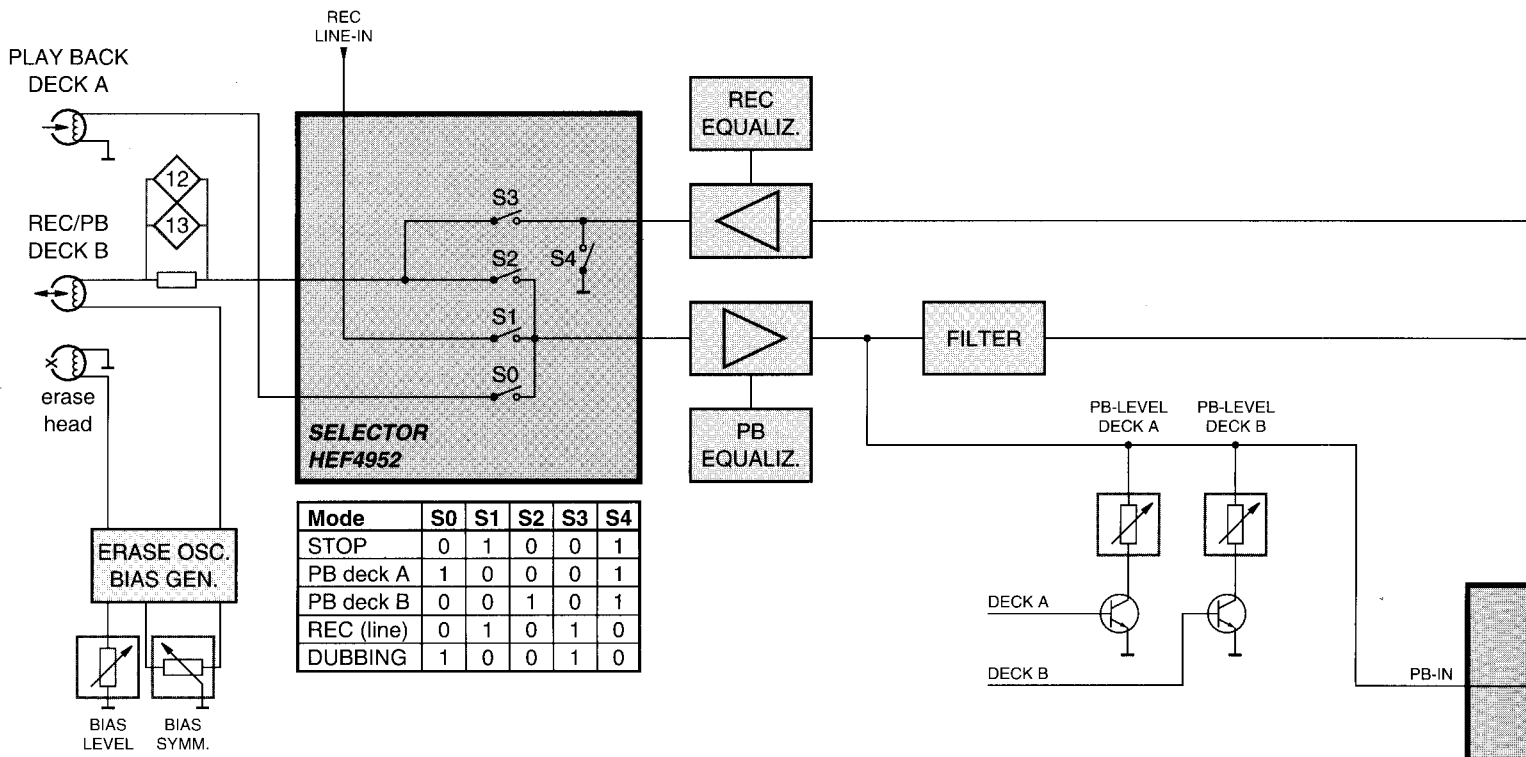


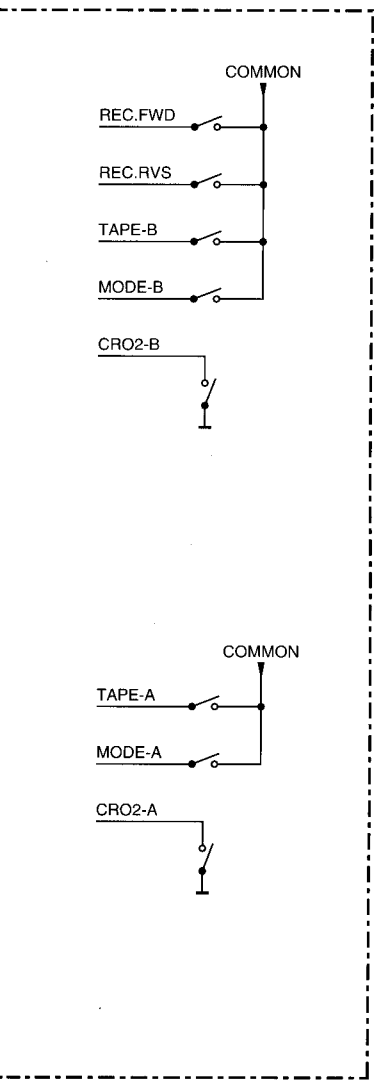
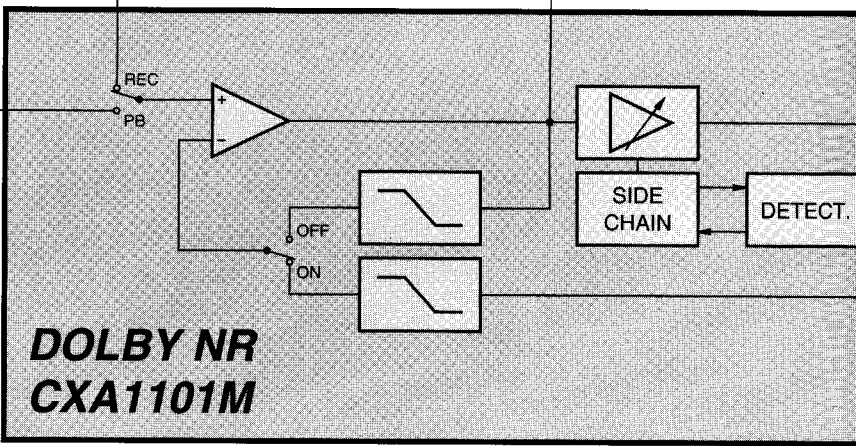
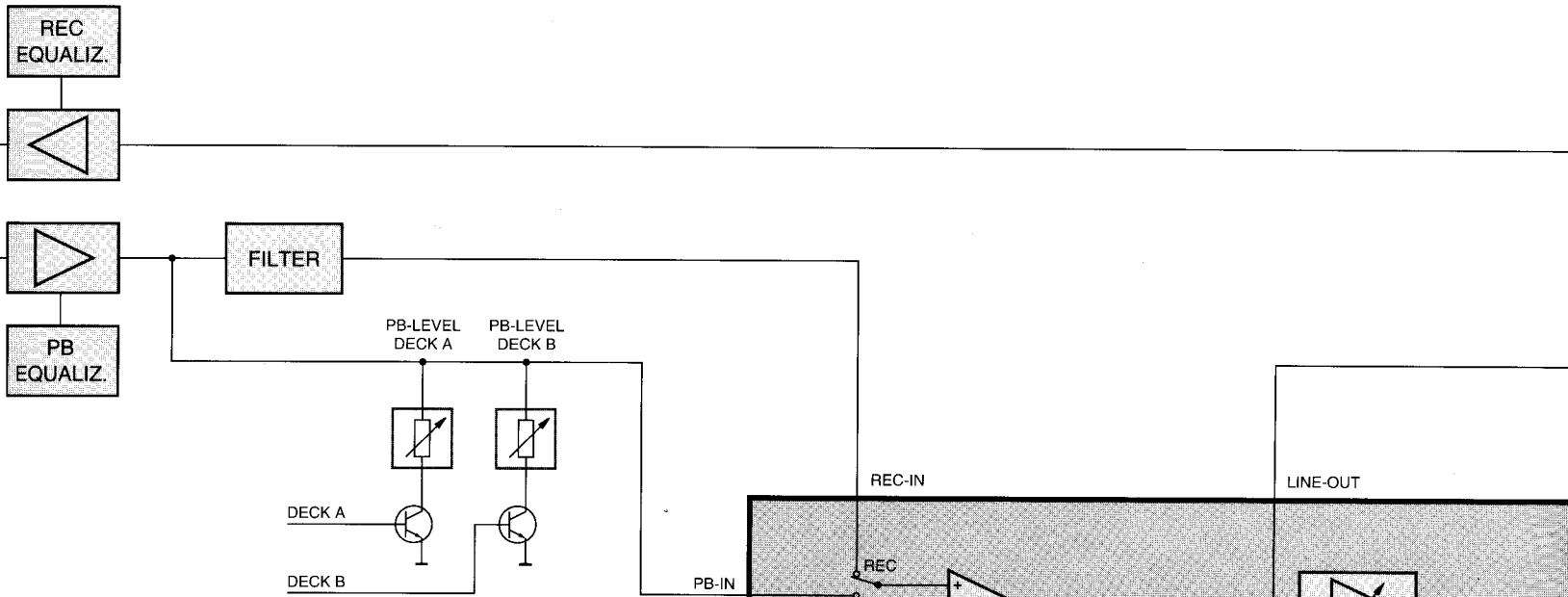
COMBI BOARD

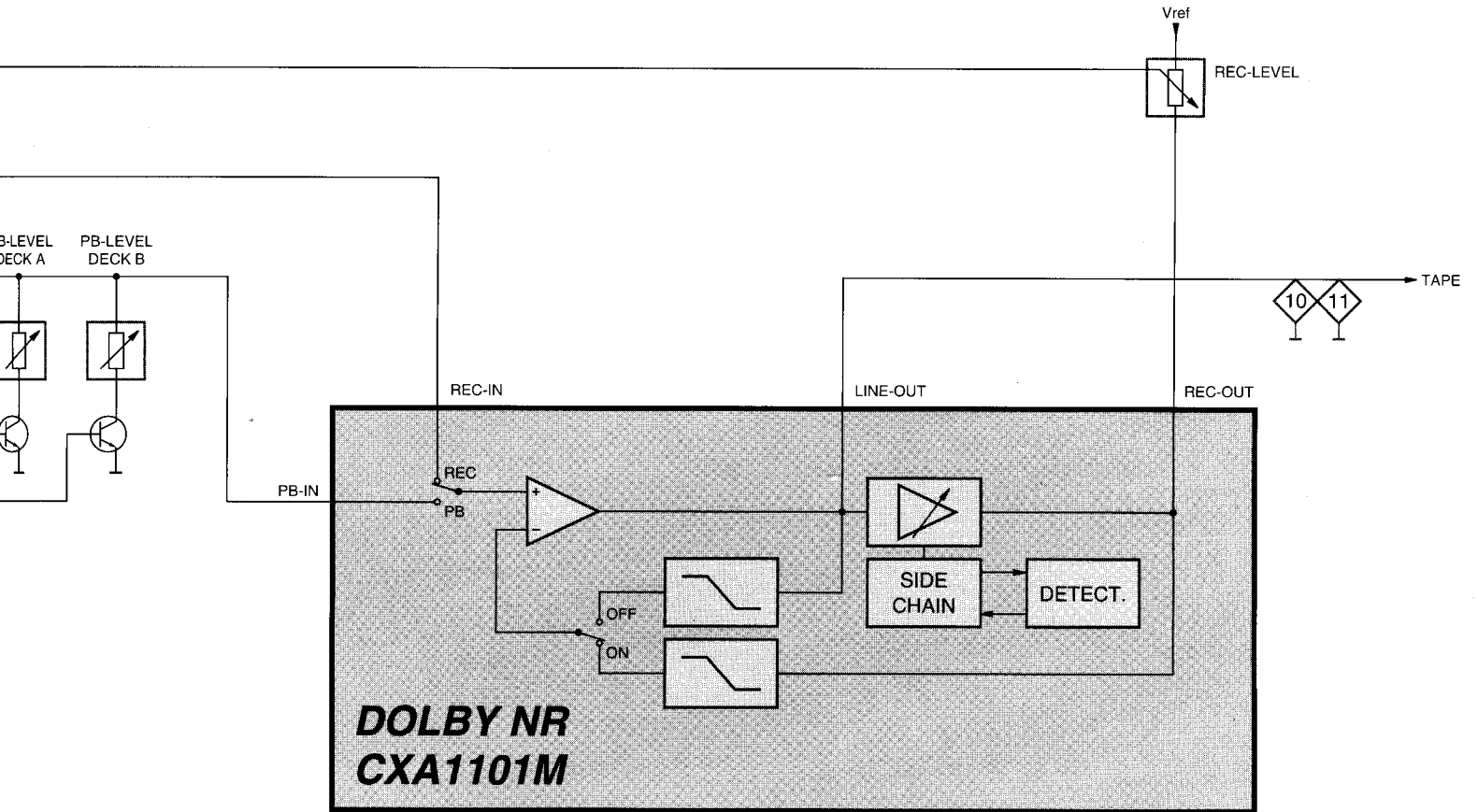
TABLE OF CONTENTS

Functional Diagram tape part	9-2
Functional Diagram CD	9-3
Functional Diagram AF-part	9-4
Adjustment Table Tape	9-5
Circuit Diagram Tape logic/ μ P-part	9-6
Component Layout Combi Board	9-7
Circuit Diagram Tape signal part	9-9
Circuit Diagram Tape CD-part	9-10
Component Layout combi board	9-11
Circuit Diagram Combi AF-part	9-13
Partslist	9-14

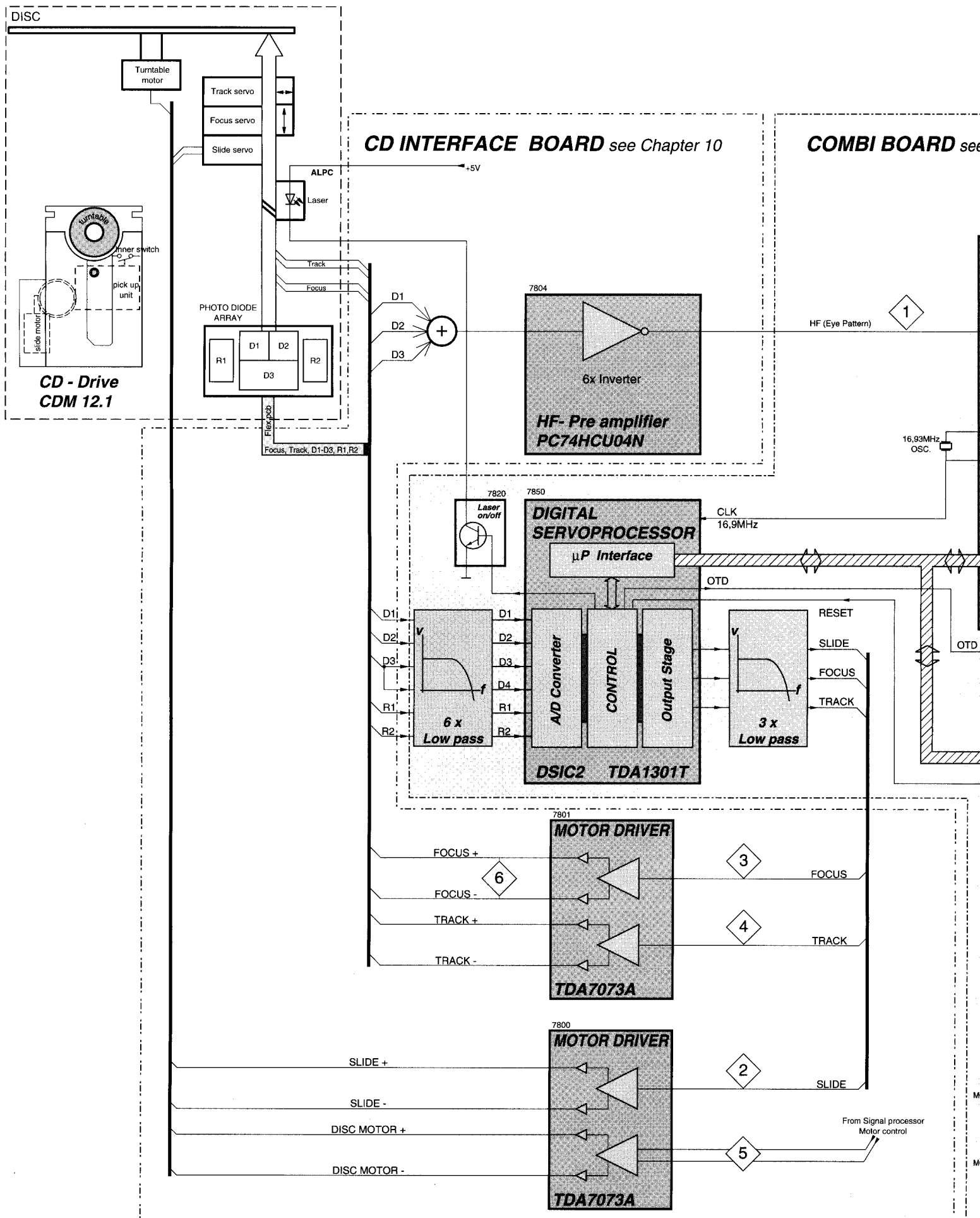
FUNCTIONAL DIAGRAM TAPE PART



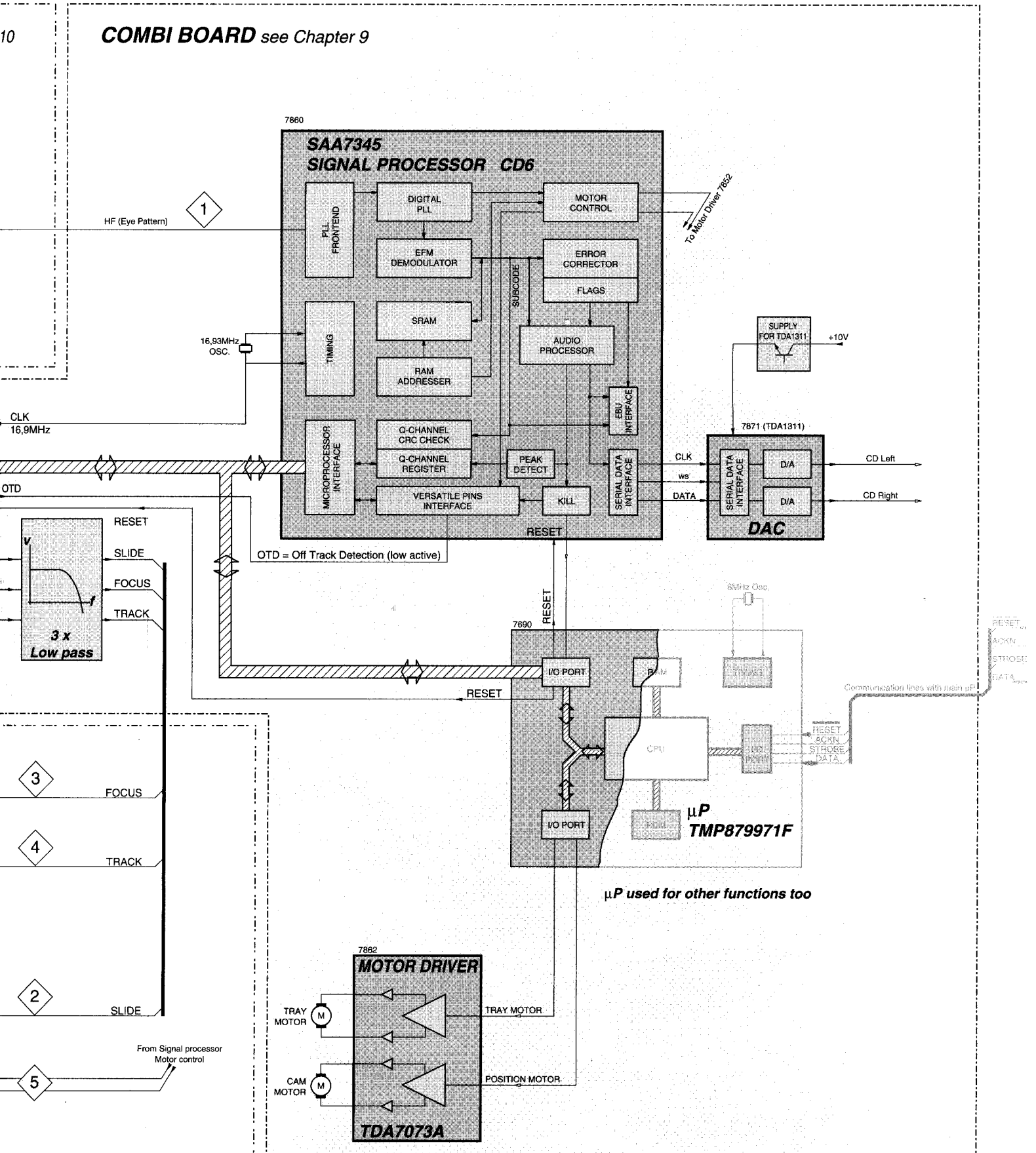




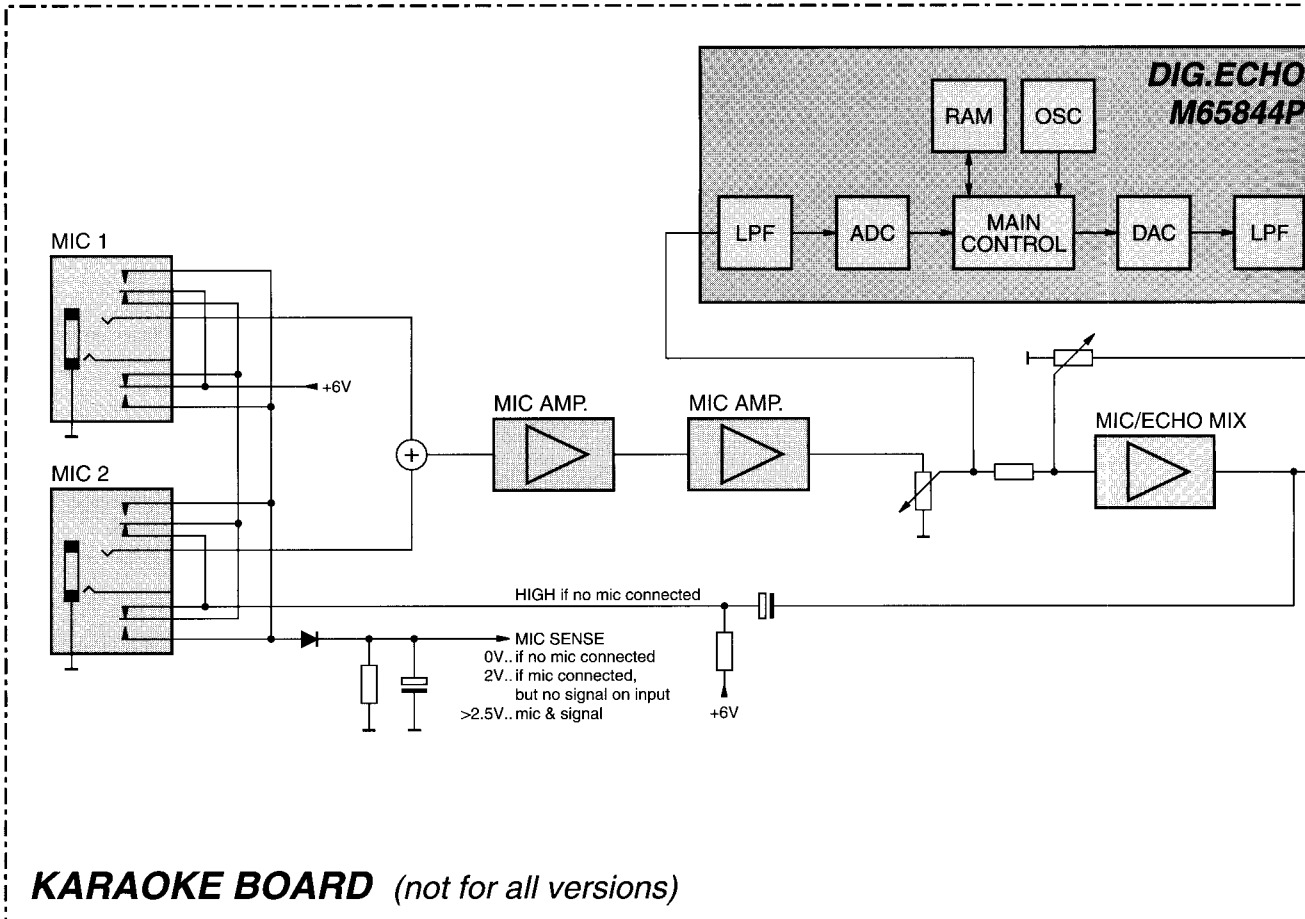
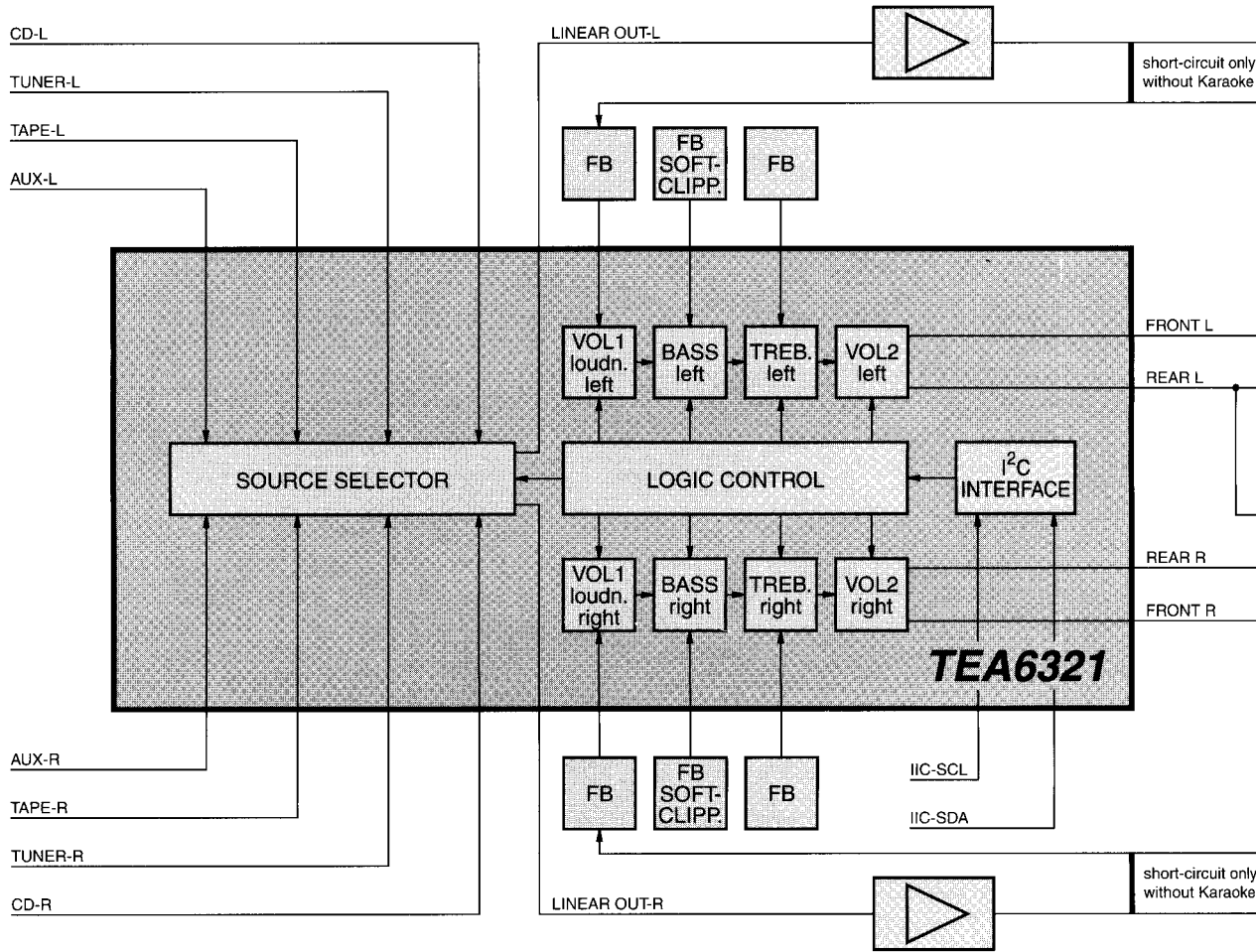
FUNCTIONAL DIAGRAM CD-PART



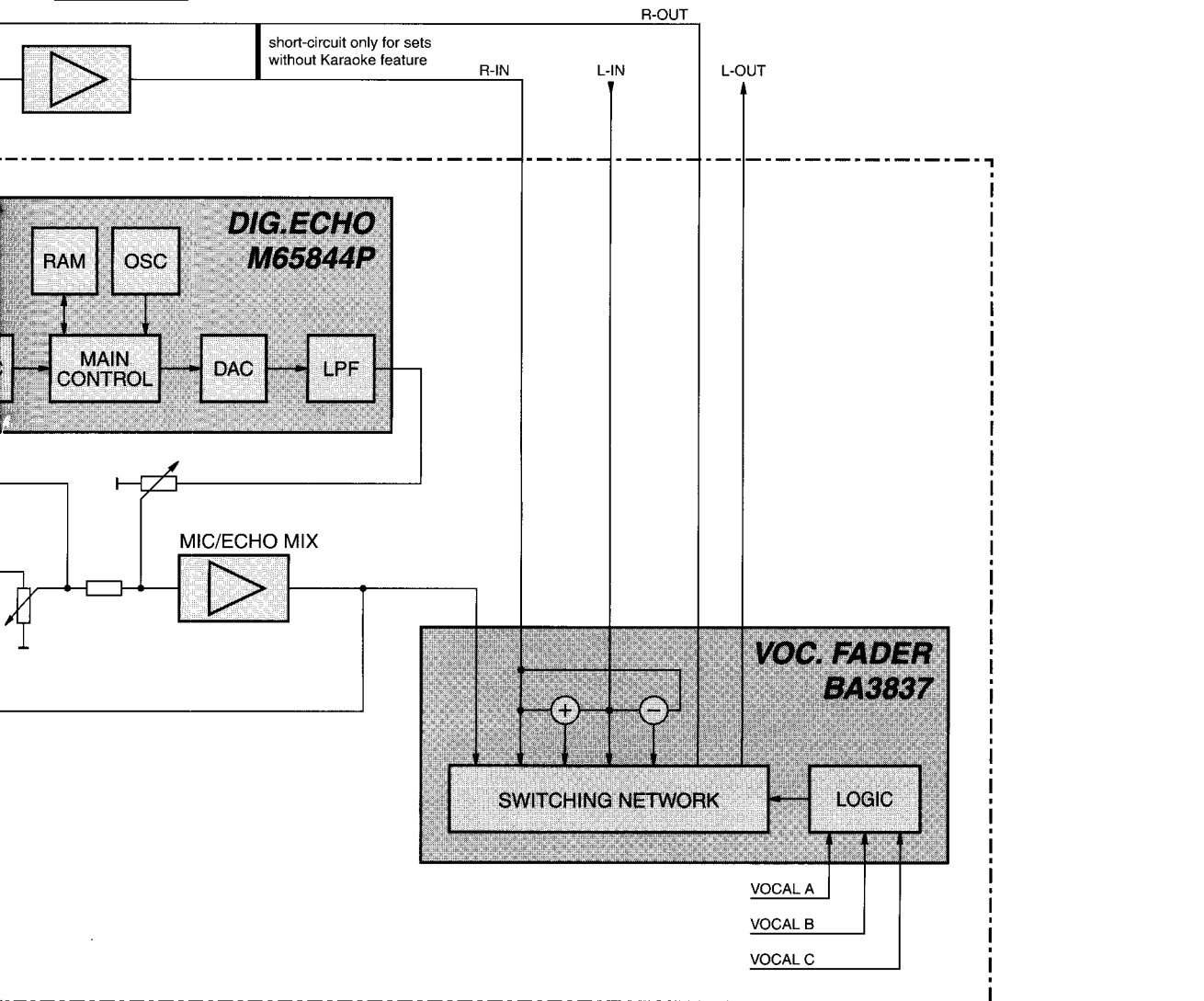
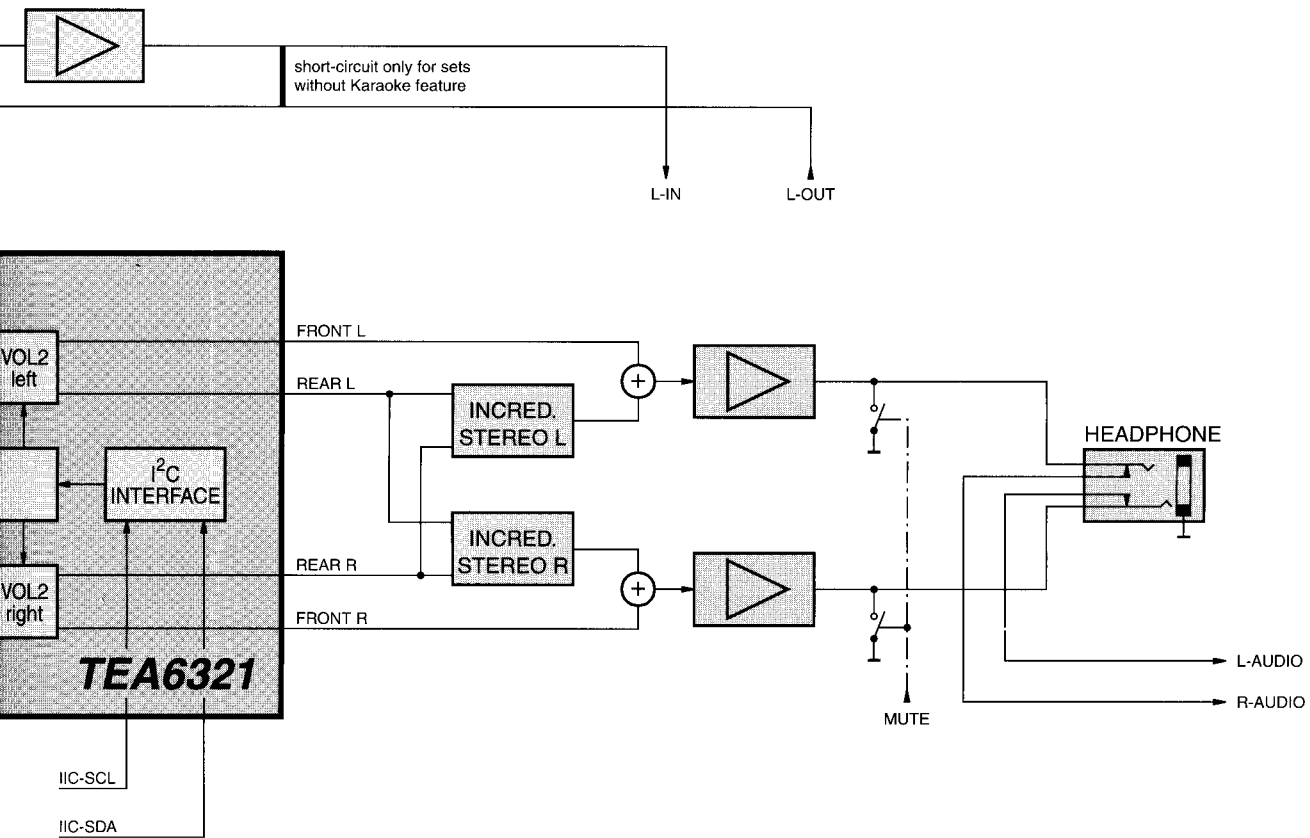
COMBI BOARD see Chapter 9



FUNCTIONAL DIAGRAM AF-PART



KARAOKE BOARD (not for all versions)



General

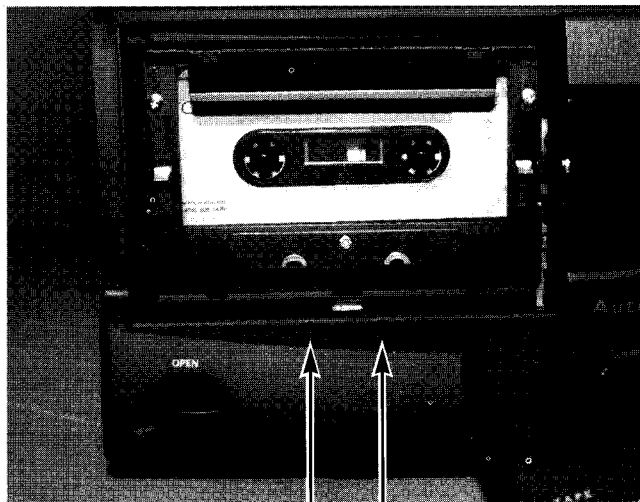
	TEST CASSETTE	RECORDER MODE	MEASURE ON	READ ON	ADJUST	
					with	to
ADJUST MOTOR SPEED						
HIGH SPEED	SBC420 (4822 397 30071) 3150Hz	DUBBING	◊10 or ◊11 LEFT RIGHT	frequency counter	3682	5670Hz ±0.5%
NORMAL SPEED		PLAY			3684	3150Hz ±0.5%
CHECK WOW & FLUTTER (DECK1 AND DECK2)						
WOW & FLUTTER	SBC420 (4822 397 30071) 3150Hz	PLAY	◊10 or ◊11 LEFT RIGHT	W&F-meter	check only	≤0.35% unwd.
ADJUST AZIMUTH (DECK1 AND DECK2)						
NORM. DIRECTION	SBC420 (4822 397 30071) 10kHz	PLAY FWD	◊10 & ◊11 LEFT RIGHT	mV-meter	left hand screw	max. output level & left=right
REV. DIRECTION		PLAY REV			right hand screw	

Playback

	TEST CASSETTE	RECORDER MODE	MEASURE ON	READ ON	ADJUST	
					with	to
ADJUST PLAYBACK LEVEL						
DECK1	DOLBY REF. (4822 397 30071) 200nWb/m	PLAY	◊10 & ◊11 LEFT RIGHT	mV-meter	3635(L), 3636(R)	535mV ±0.5dB
DECK2					3641(L), 3642(R)	
CHECK PLAYBACK FREQUENCY RESPONSE (DECK1 AND DECK2)						
PB FREQU. RESP.	SBC420 (4822 397 30071)	PLAY	◊10 & ◊11 LEFT RIGHT	mV-meter	check only	limits see fig.1

AZIMUTH ALIGNMENT

Remove ornamental part of cassette door.
For alignment use a small cross slot screwdriver.



Fwd Rev

Record

	PRE-ADJUST
	CrO ₂
	FERRO
	CHECK OVER
	37mV at AUX 100Hz, 250Hz 10kHz, 12.5kHz
	100mV at AUX 1kHz
	Remark: If high If disto
	ADJUST REC
	AUX-IN
	¹⁾ Remark: Use
	RECORD LE
	Remark: If mea



Record

	TEST CASSETTE	RECORDER MODE	MEASURE ON	READ ON	ADJUST with to	
PRE-ADJUST BIAS AND BIAS-SYMMETRY						
370Hz ±0.5%	CrO ₂	RECORD	12 & 13 LEFT RIGHT	mV-meter	3773 & 3785	110mV & left=right
150Hz ±0.5%	FERRO	RECORD			check only	71mV ±0.5dB
CHECK OVERALL FREQUENCY RESPONSE AND DISTORTION						
0.35% unwttd.	CrO ₂	RECORD				
	RECORDED CASSETTE	PLAY	10 & 11 LEFT RIGHT	mV-meter	check only	limits see fig.2
	CrO ₂	RECORD				
	RECORDED CASSETTE	PLAY	10 & 11 LEFT RIGHT	THD-meter	check only	≤3%
Remark: If high frequencies are not within limits, decrease bias and remeasure. If distortion is too high increase bias and remeasure.						
ADJUST RECORD LEVEL						
5mV ±0.5dB	CrO ₂	RECORD	10 & 11 LEFT RIGHT	mV-meter	LF-generator	330Hz 170mV
	CrO ₂	RECORD	12 & 13 LEFT RIGHT	mV-meter	3655 & 3556	5mV ¹⁾
1) Remark: Use low pass filter to attenuate the bias component, or short-circuit base of 7783 to ground.						
RECORD LEVEL						
	RECORDED CASSETTE	PLAY	10 & 11 LEFT RIGHT	mV-meter	check only	330Hz 170mV ±0.5dB
Remark: If measured value is out of limit, re-adjust record level and remeasure.						

to

370Hz ±0.5%

150Hz ±0.5%

0.35% unwttd.

x. output level & left=right

to

5mV ±0.5dB

limits see fig.1

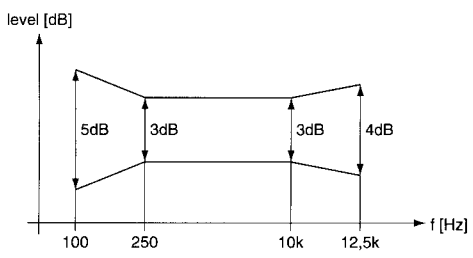
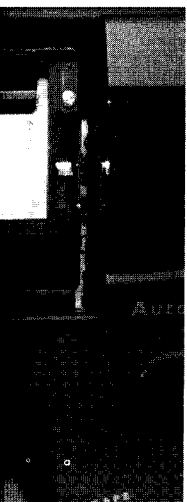


fig.1

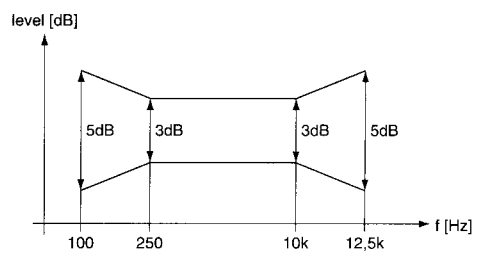
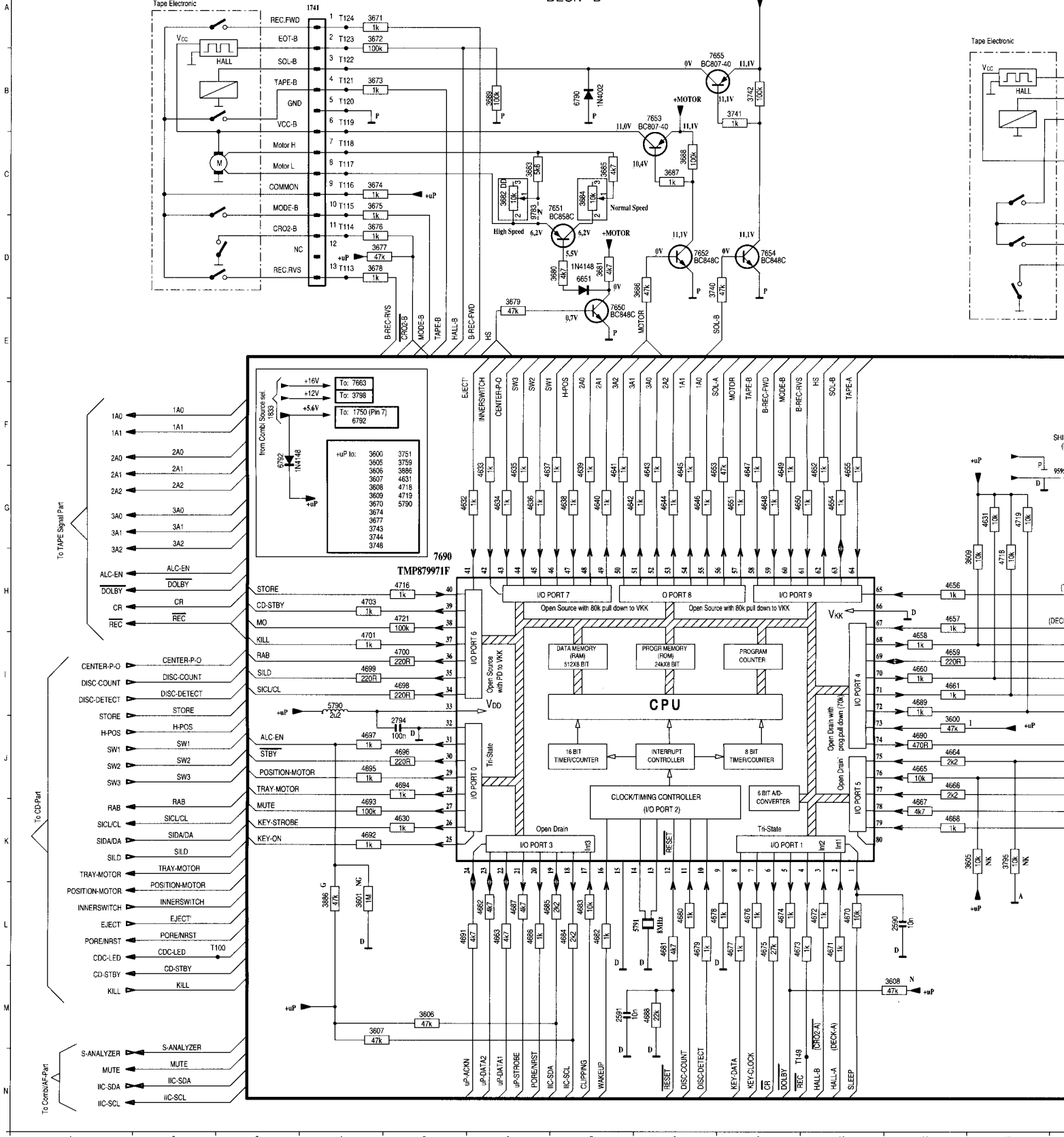


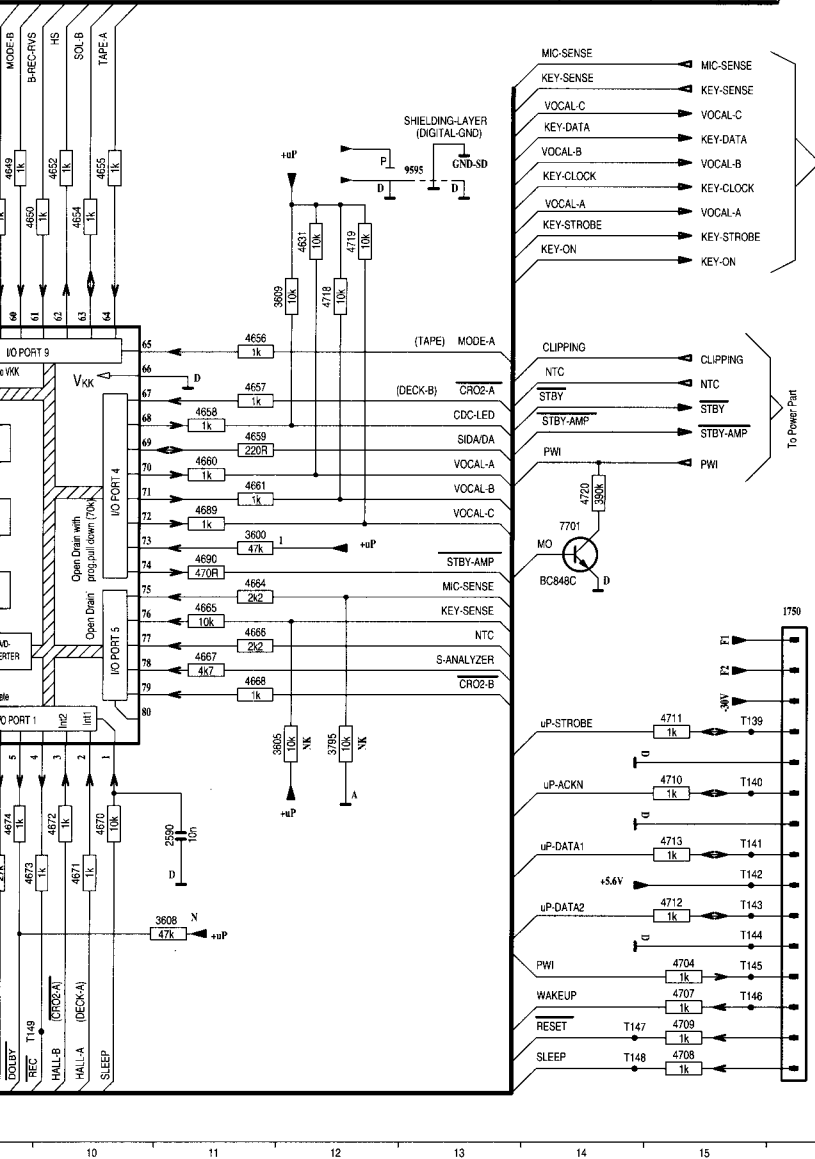
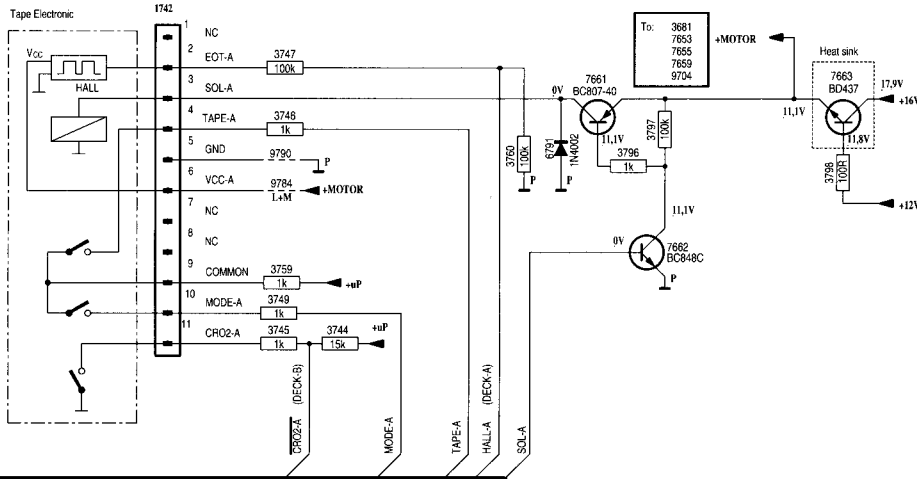
fig.2

COMBI TAPE LOGIC / MUP PART

DECK - B



DECK - A



To Control-Board

To Karaoke

To Power Part



DC voltages measured during PLAY deck 1

VERSIONS:	
DOLBY:	DD
Non DOLBY:	N
Incredible Sound:	I
CD - Graphics:	G
Non CD - Graphics:	NG
No Karaoke:	NK

- 1741 A 4
- 1742 A13
- 1750 J16
- 2560 L11
- 2591 M 7
- 2794 U 5
- 3600 J11
- 3601 L 4
- 3605 K12
- 3606 M 5
- 3607 M 4
- 3608 M11
- 3609 H12
- 3671 A 4
- 3672 A 4
- 3673 C 4
- 3674 C 4
- 3675 C 4
- 3676 D 4
- 3677 D 4
- 3678 D 4
- 3679 E 6
- 3680 D 7
- 3681 D 7
- 3682 C 6
- 3683 C 6
- 3684 C 7
- 3685 C 7
- 3686 D 8
- 3687 C 8
- 3688 C 8
- 3689 B 6
- 3740 D 8
- 3741 B 9
- 3742 B 9
- 3744 D14
- 3745 D14
- 3746 B14
- 3747 B14
- 3749 D14
- 3759 D14
- 3761 C16
- 3795 K12
- 3796 C17
- 3797 B17
- 3798 C18
- 3866 L 4
- 4630 K 5
- 4631 C12
- 4632 G 5
- 4633 G 6
- 4634 G 6
- 4635 G 6
- 4636 G 6
- 4637 G 6
- 4638 G 7
- 4639 G 7
- 4640 G 7
- 4641 G 7
- 4642 G 8
- 4643 G 8
- 4644 G 8
- 4645 G 8
- 4646 G 8
- 4647 G 9
- 4648 G 9
- 4649 G 9
- 4650 G 9
- 4651 G 9
- 4652 G10
- 4653 G 8
- 4654 G10
- 4655 G10
- 4656 H11
- 4657 H11
- 4658 H11
- 4659 H11
- 4660 H11
- 4661 H11
- 4662 L 6
- 4663 L 6
- 4664 J11
- 4665 J11
- 4666 J11
- 4667 K11
- 4668 K11
- 4670 L10
- 4671 L10
- 4672 L10
- 4673 L 9
- 4674 L 9
- 4675 L 5
- 4676 L 9
- 4677 L 9
- 4678 L 8
- 4679 L 8
- 4680 L 8
- 4681 L 8
- 4682 L 7
- 4683 L 7
- 4684 L 7
- 4685 L 6
- 4686 L 6
- 4687 L 6
- 4688 M 8
- 4689 H11
- 4690 J11
- 4691 L 5
- 4692 K 4
- 4693 K 4
- 4694 J 5
- 4695 J 4
- 4696 J 5
- 4697 J 4
- 4698 I 5
- 4699 I 4
- 4700 I 5
- 4701 I 4
- 4703 H 4
- 4704 M15
- 4707 M15
- 4708 N15
- 4709 N15
- 4710 L15
- 4711 K15
- 4712 M15
- 4713 L15
- 4716 H 5
- 4718 H12
- 4719 G12
- 4720 I14
- 4721 H 5
- 5790 I 4
- 5791 L 8
- 6551 D 7
- 6790 B 7
- 6791 B16
- 6792 F 3
- 7630 E 7
- 7651 C 7
- 7652 D 8
- 7653 B 8
- 7654 B 9
- 7655 B 8
- 7661 B16
- 7662 C17
- 7663 B18
- 7664 H 5
- 7701 I14

- 9596 G13
- 9763 C 6
- 9784 C14
- 9790 C14
- T100 L 3
- T113 D 4
- T114 D 4
- T115 C 4
- T116 C 4
- T117 C 4
- T118 C 4
- T119 B 4
- T120 B 4
- T121 B 4
- T122 B 4
- T123 A 4
- T124 A 4
- T138 K15
- T140 L15
- T141 L15
- T142 L15
- T143 M15
- T144 M15
- T145 M15
- T146 M15
- T147 N14
- T148 N14
- T149 N 9

2501 E 2	2586 D 2	2729 A 7	3504 D 4	3551 E 2	3639 C 9	3685 D 9	3729 A 7	3774 E 5	3869 A 4	4525 D 2	4559 E 5	4640 C 6	4674 E 5	4716 C 5	7631 C 9	7783 E 8	T015 A 5
2502 D 4	2631 C 9	2730 A 7	3506 E 3	3552 D 2	3640 B 9	3689 D 9	3730 A 7	3778 E 9	3872 B 3	4526 E 5	4561 E 5	4641 C 6	4675 E 5	4718 E 5	7632 B 9	7784 E 9	T016 A 5
2513 E 4	2632 B 9	2731 A 7	3508 D 4	3555 E 2	3644 B 9	3692 C 9	3731 A 7	3779 E 9	3874 B 3	4527 B 4	4565 E 4	4642 C 6	4678 D 5	4719 E 5	7633 C 9	7787 E 9	T018 A 3
2514 D 4	2633 C 8	2732 A 7	3509 E 1	3556 E 2	3645 C 8	3693 C 7	3732 A 7	3780 E 9	3876 C 3	4529 B 9	4566 B 3	4643 C 6	4681 D 5	4721 C 5	7634 B 9	7788 A 6	T019 A 4
2515 D 2	2634 B 8	2737 A 8	3510 D 2	3568 E 2	3647 C 8	3695 C 7	3734 A 8	3782 E 9	3877 B 3	4530 B 6	4568 A 7	4644 C 6	4682 D 5	4723 C 8	7640 C 7	7820 A 4	T020 B 2
2516 C 2	2635 C 8	2738 A 8	3512 D 3	3572 E 6	3648 B 9	3701 A 9	3737 A 9	3783 E 9	3878 B 4	4531 D 8	4572 C 6	4645 C 6	4683 D 5	4724 B 8	7650 D 9	7850 B 4	T021 B 2
2527 E 2	2636 B 8	2752 B 9	3513 D 2	3574 D 2	3649 C 8	3702 A 9	3743 D 7	3784 E 9	3879 A 3	4533 E 6	4574 C 3	4646 D 6	4687 D 5	4729 C 8	7651 D 9	7851 E 6	T022 B 2
2528 E 1	2639 C 7	2760 A 8	3514 C 2	3576 D 3	3650 B 9	3703 A 8	3744 D 7	3787 E 9	3880 A 5	4534 C 8	4577 A 5	4647 D 6	4688 D 5	4801 B 2	7652 D 9	7852 B 2	T023 A 2
2531 E 2	2640 B 7	2782 E 9	3515 D 2	3581 C 2	3651 C 9	3704 A 8	3745 D 7	3790 D 7	3881 A 5	4535 D 7	4578 B 7	4648 C 6	4689 D 6	4802 A 3	7653 D 9	7853 B 2	T024 B 5
2532 E 2	2643 C 7	2787 E 9	3522 C 2	3582 C 3	3652 B 8	3707 A 8	3746 D 7	3811 A 3	3882 A 5	4536 C 6	4579 D 3	4649 C 6	4690 E 6	4803 A 3	7654 D 9	7856 B 3	T025 B 5
2533 D 2	2644 B 7	2794 C 5	3523 D 2	3583 B 1	3657 C 7	3708 A 8	3747 D 8	3842 B 2	3883 A 5	4537 A 5	4592 A 6	4650 C 7	4691 D 6	4804 A 3	7655 D 9	7860 A 2	T026 B 4
2534 C 2	2645 C 7	2834 A 4	3524 D 2	3584 E 2	3658 B 7	3709 A 8	3748 D 8	3843 B 2	3884 A 4	4538 B 6	4593 B 6	4651 C 6	4694 C 5	4805 A 3	7656 D 4	7861 B 3	T027 A 4
2535 E 3	2646 B 7	2835 A 4	3528 D 3	3585 D 2	3659 C 7	3710 A 8	3749 D 7	3844 A 2	3885 A 5	4540 C 7	4594 C 1	4652 D 6	4695 C 5	4806 A 3	7657 D 7	7862 A 4	T028 B 3
2536 E 3	2705 A 8	2836 A 4	3529 D 2	3590 D 2	3661 C 7	3711 A 8	3750 D 7	3845 A 3	3886 A 5	4541 B 6	4595 E 5	4653 D 6	4696 D 5	4807 A 3	7658 E 8	7863 A 4	T029 B 2
2538 C 4	2706 A 8	2837 A 4	3530 C 2	3591 E 1	3662 B 7	3712 A 8	3751 E 7	3850 A 3	3887 A 5	4542 B 6	4596 E 4	4658 D 6	4697 C 5	4808 A 3	7659 E 7	7864 B 3	T030 B 2
2539 E 5	2707 A 8	2838 A 4	3532 D 3	3592 E 2	3665 C 7	3713 A 8	3752 E 7	3851 B 2	3888 A 5	4543 A 5	4597 E 5	4659 D 6	4698 C 5	4809 A 3	7660 E 8	7865 D 9	T031 C 6
2540 D 4	2708 A 8	2839 A 3	3533 B 4	3593 B 2	3666 B 7	3714 A 7	3756 D 7	3852 B 3	3889 A 5	4544 B 6	4598 E 4	4660 D 6	4699 C 5	4810 A 3	7661 D 8	7866 A 4	T032 B 2
2553 D 5	2709 A 8	2840 A 5	3534 B 4	3594 B 2	3667 D 9	3715 A 8	3758 E 7	3853 B 2	3890 A 5	4545 B 6	4599 E 4	4661 B 6	4700 C 5	4811 A 3	7662 D 8	7867 A 4	T033 B 3
2559 E 3	2710 A 8	2841 A 3	3537 D 4	3605 E 5	3673 D 9	3719 B 8	3760 E 6	3854 C 3	3891 A 5	4546 B 6	4601 B 6	4662 D 5	4701 C 5	4812 A 3	7663 D 8	7868 A 4	T034 C 6
2573 C 2	2719 C 8	2850 A 3	3538 D 4	3606 E 4	3674 D 9	3720 B 8	3762 A 5	3855 B 3	3892 A 5	4547 B 6	4602 C 6	4663 D 5	4702 A 7	4813 A 3	7664 D 8	7869 D 6	T035 C 5
2574 C 2	2720 B 8	2851 A 3	3539 D 4	3607 D 4	3675 D 8	3721 C 8	3763 A 8	3856 C 3	3893 A 5	4548 C 2	4603 C 6	4664 D 6	4703 A 5	4814 A 3	7665 D 8	7870 D 6	T036 C 5
2581 D 2	2721 B 8	2852 A 3	3540 C 4	3608 E 6	3676 D 8	3722 B 8	3764 A 7	3857 B 3	3894 A 4	4549 B 6	4604 C 6	4665 E 6	4704 B 6	4815 A 3	7666 E 8	7871 A 4	T037 C 5
2582 C 2	2723 B 7	2857 B 3	3545 C 4	3609 E 6	3677 D 8	3725 B 8	3767 A 6	3858 B 3	3895 B 3	4550 B 6	4605 C 6	4666 D 6	4705 A 6	4816 A 3	7667 D 8	7872 A 4	T038 C 6
2583 D 2	2724 B 8	2861 B 2	3547 E 2	3613 C 9	3678 D 8	3726 B 7	3769 A 6	3859 B 3	3896 B 3	4551 C 1	4606 C 6	4667 B 6	4706 A 5	4817 A 3	7668 D 8	7873 A 4	T039 C 6
2584 C 2	2725 B 7	3501 E 2	3548 B 2	3634 B 9	3680 D 9	3727 A 7	3771 E 9	3860 B 3	3897 A 4	4552 D 8	4607 C 6	4668 B 6	4707 A 5	4818 A 3	7669 D 6	7874 A 4	T040 C 6
2585 D 2	2726 B 7	3502 D 4	3549 D 5	3638 B 9	3683 C 9	3728 A 7	3772 E 8	3861 B 3	3898 A 4	4553 C 8	4608 C 6	4669 B 6	4708 A 5	4819 A 3	7670 C 9	7875 A 4	T041 C 6

9

8

7

6

5

4

3

2

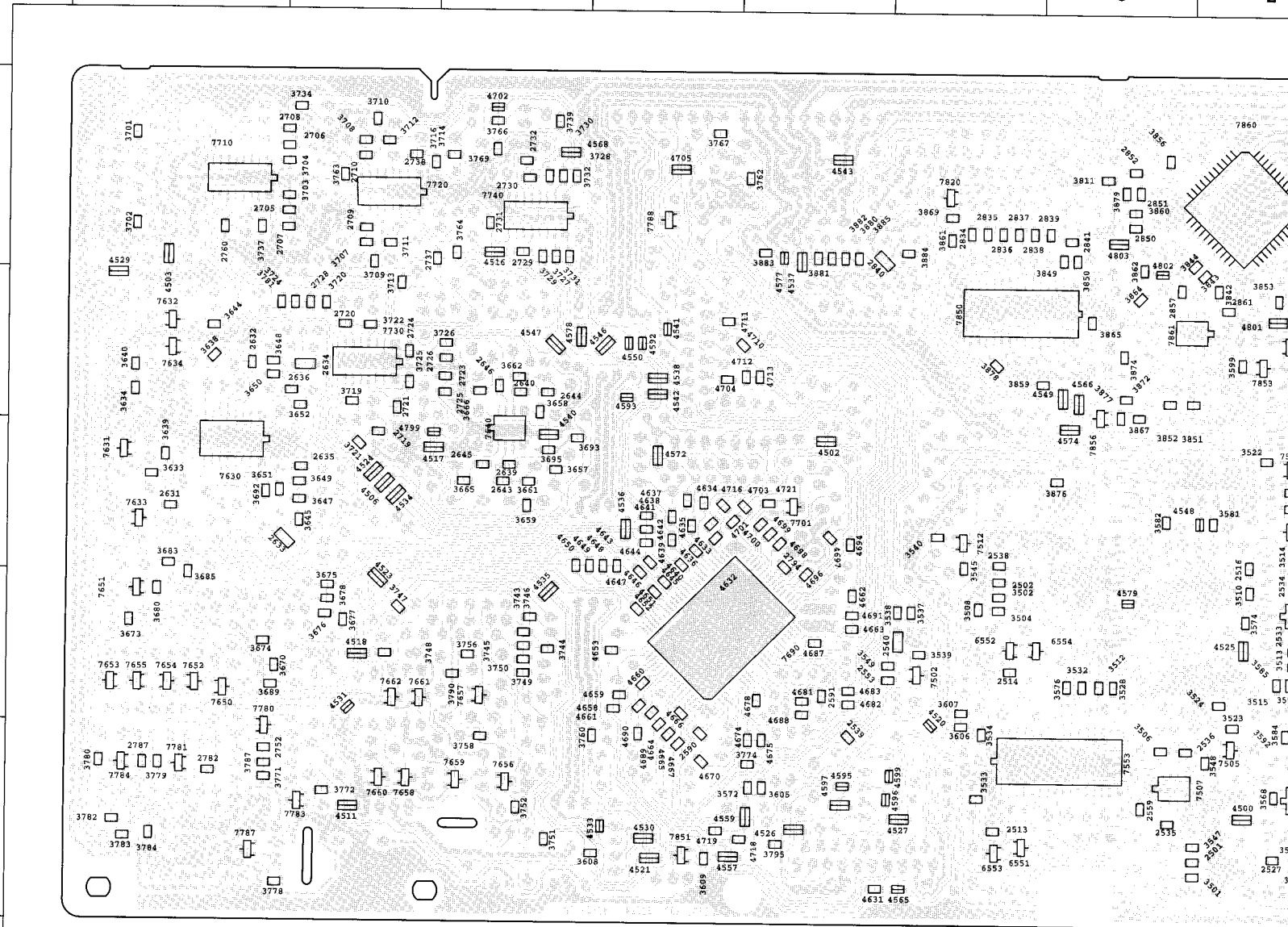
A

B

C

D

E



9

8

7

6

5

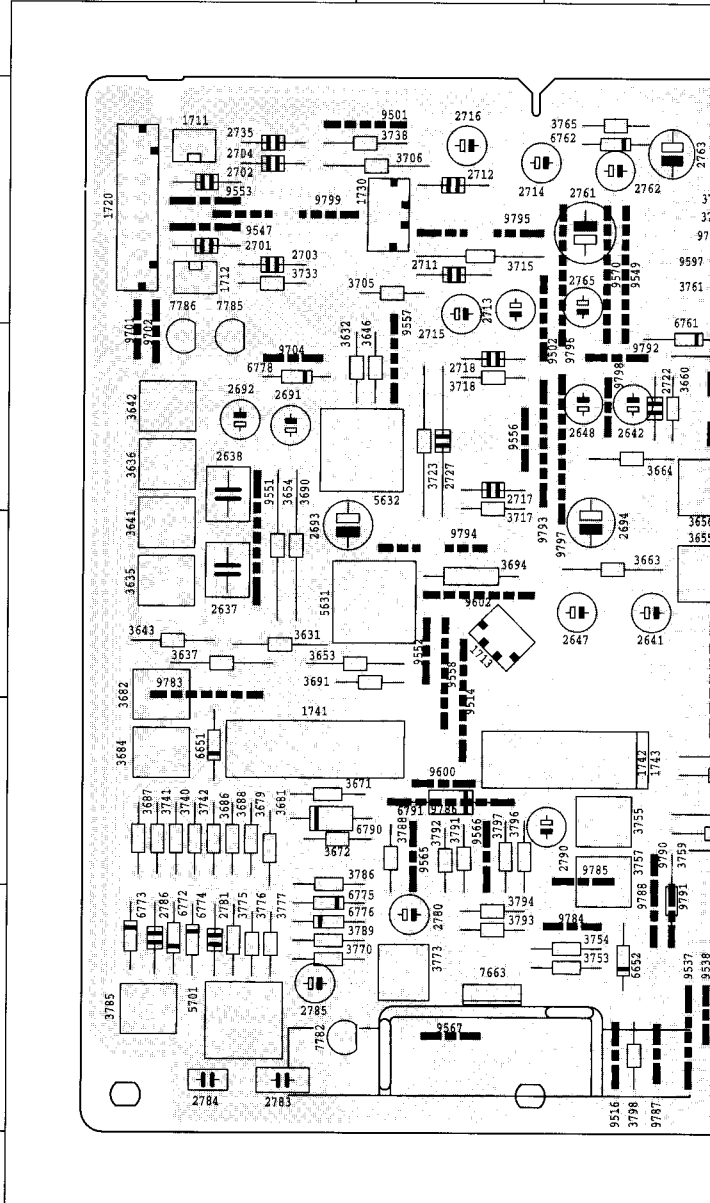
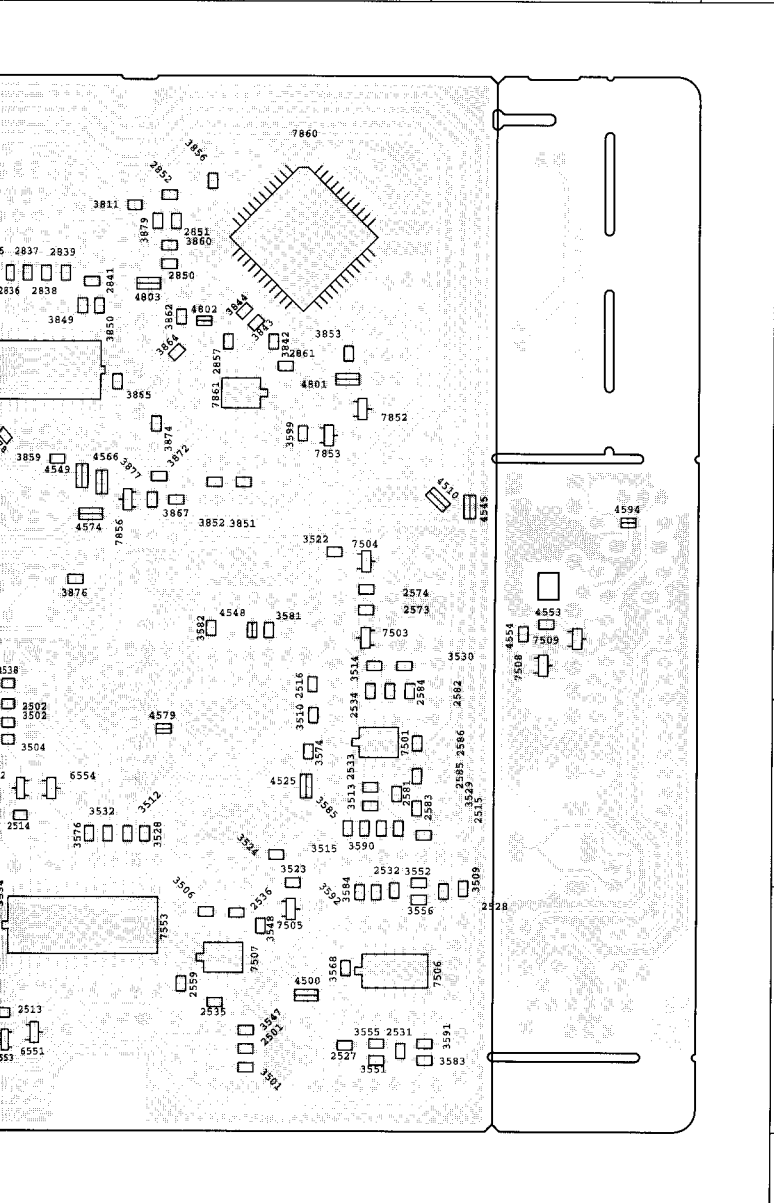
4

3

2

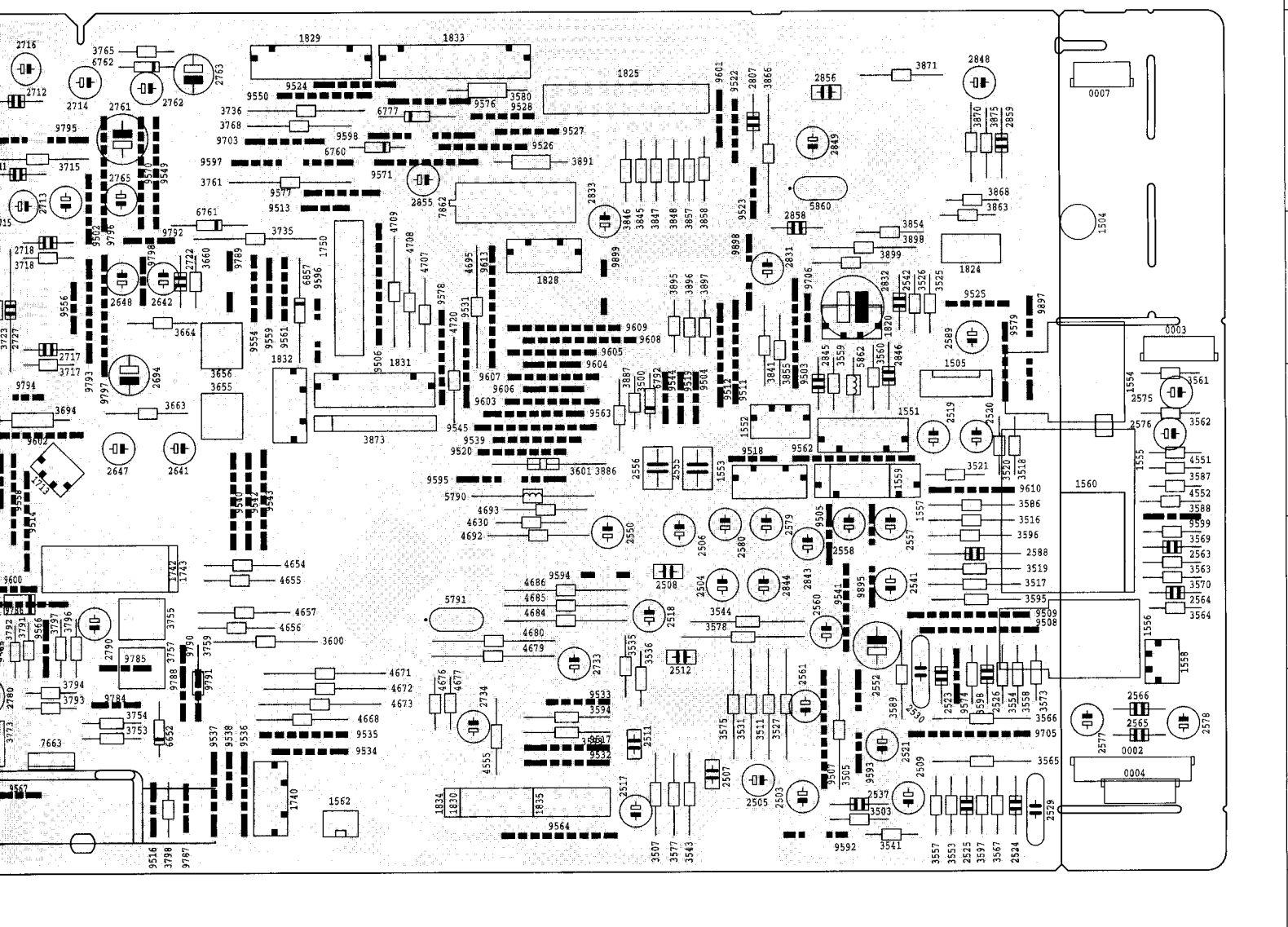
4716 C 5	7631 C 9	7783 E 8	T015 A 5	T042 C 2	T074 C 3	T114 D 8	T143 B 6
4718 E 5	7632 B 9	7784 E 9	T016 A 5	T043 A 3	T076 C 3	T115 D 8	T144 A 6
4719 B 5	7633 C 9	7787 E 9	T018 A 3	T045 C 2	T078 A 5	T116 D 9	T145 B 6
4721 C 5	7634 B 9	7788 A 6	T019 A 4	T046 C 1	T079 C 3	T117 C 9	T146 B 6
4723 C 8	7640 C 7	7820 A 4	T020 B 2	T047 A 6	T080 D 3	T118 D 9	T147 D 5
4724 B 8	7650 D 9	7850 B 4	T021 B 2	T048 B 6	T081 C 2	T119 D 9	T148 E 5
4799 C 8	7651 D 9	7851 E 6	T022 B 2	T049 A 3	T082 C 3	T120 D 9	T149 E 7
4801 B 2	7652 D 9	7852 B 2	T023 A 2	T050 B 3	T083 E 6	T121 D 9	T161 B 9
4802 A 3	7653 D 9	7853 B 2	T024 B 5	T051 A 5	T084 E 5	T122 D 9	T162 E 9
4803 A 3	7654 D 9	7856 B 3	T025 B 5	T052 A 6	T085 E 6	T123 D 9	T163 A 9
6551 E 4	7655 D 9	7860 A 2	T026 B 4	T053 A 6	T086 E 5	T124 D 9	T164 A 9
6552 D 4	7656 E 7	7861 B 3	T027 A 4	T054 A 6	T087 E 6	T125 D 7	T165 A 9
6553 E 4	7657 D 7	T001 A 4	T028 B 3	T055 B 2	T088 E 4	T126 D 7	T166 B 9
6554 D 4	7658 E 8	T002 A 3	T029 B 2	T056 A 5	T089 E 6	T127 E 7	T167 A 8
7501 D 2	7659 E 7	T003 A 3	T030 B 2	T057 A 5	T090 E 4	T128 D 7	T168 A 8
7502 D 4	7660 E 8	T004 A 4	T031 C 6	T059 A 5	T091 E 6	T129 E 7	T169 A 8
7503 C 2	7661 D 8	T005 A 3	T032 B 3	T061 E 3	T092 E 4	T130 D 7	T170 E 8
7504 C 2	7662 D 8	T006 A 4	T033 C 6	T062 E 4	T093 E 1	T131 E 7	T171 A 7
7505 E 2	7690 D 6	T007 A 4	T034 C 5	T063 A 5	T094 E 1	T132 D 8	T172 B 7
7506 E 2	7701 C 5	T008 A 4	T035 C 5	T064 E 5	T095 C 1	T133 E 7	T173 C 9
7507 E 3	7710 A 9	T009 A 3	T036 C 5	T065 E 5	T096 C 1	T134 D 8	T174 B 9
7508 C 1	7720 A 8	T010 A 4	T037 C 5	T066 E 3	T097 D 1	T135 E 8	T175 C 8
7509 C 1	7730 B 8	T011 A 4	T038 C 6	T067 E 3	T098 D 1	T139 B 6	T176 C 9
7512 C 4	7740 A 7	T012 A 4	T039 C 6	T068 E 5	T099 E 1	T140 B 6	T177 B 5
7553 E 3	7780 E 9	T013 A 4	T040 C 6	T072 D 2	T100 E 6	T141 B 6	
7630 C 9	7781 E 9	T014 B 3	T041 C 6	T073 B 2	T113 D 8	T142 A 5	

9790 E 7	9605 B 4	9571 A 5	9545 C 5	9523 A 3	9501 A 8	5860 A 3	41
9791 E 7	9606 C 4	9574 E 2	9547 A 9	9524 A 6	9502 A 7	6651 D 9	46
9792 B 7	9607 C 4	9576 A 5	9549 A 7	9525 B 2	9503 B 3	6652 E 7	46
9793 B 7	9608 B 4	9577 A 6	9550 A 6	9526 A 5	9504 C 4	6760 A 5	46
9794 C 8	9609 B 4	9578 B 5	9551 C 9	9527 A 5	9505 D 3	6772 E 9	46
9795 A 8	9610 C 2	9579 A 5	9552 C 8	9528 A 5	9506 B 6	6773 E 9	46
9796 A 7	9613 B 5	9581 E 4	9553 A 9	9531 B 5	9507 B 3	6774 E 9	46
9797 B 7	9701 B 9	9592 C 3	9554 B 6	9532 E 4	9508 D 2	6775 E 9	46
9798 B 7	9702 B 9	9593 E 2	9556 B 8	9533 E 4	9509 D 2	6776 E 9	46
9799 A 9	9703 A 6	9594 D 4	9557 B 8	9534 E 6	9511 B 3	6777 A 5	46
9895 D 2	9704 B 9	9595 C 5	9558 C 8	9535 E 6	9512 B 3	6778 B 9	46
9896 C 2	9705 E 2	9596 B 6	9559 B 6	9536 E 6	9513 A 6	6790 D 9	47
9897 B 1	9706 C 3	9597 A 6	9561 B 6	9537 E 7	9514 C 8	6791 D 8	47
9898 B 3	9708 C 9	9598 A 5	9562 C 2	9538 E 7	9515 E 4	6792 C 4	47
9899 B 4	9784 E 7	9599 D 1	9563 C 5	9539 C 5	9516 E 7	6857 B 6	47
	9785 D 7	9600 D 8	9564 E 4	9540 C 7	9517 E 4	6863 E 8	47
	9786 D 8	9601 A 3	9565 D 8	9541 D 3	9518 C 3	7782 E 9	56
	9787 E 7	9602 C 8	9566 D 8	9542 C 6	9519 C 4	7785 B 9	57
	9788 E 7	9603 C 4	9567 E 8	9543 C 6	9520 C 5	7786 B 9	57
	9789 B 7	9604 B 4	9570 A 7	9544 C 4	9522 A 3	7862 A 5	57



9523 A 3	9501 A 8	5860 A 3	4673 B 6	3875 A 2	3793 E 8	3754 E 7	3687 D 9	3636 B 9	3567 E 2	3526 B 2	2845 C 3	2733 D 4	2648 B 7	2557 D 2	2511 E 4	1740 B 6	0002 E 1
9524 A 6	9502 A 7	6651 D 9	4676 B 5	3886 C 5	3794 B 8	3755 D 7	3688 D 9	3637 C 9	3569 D 1	3527 B 3	2846 C 2	2734 B 5	2691 B 9	2558 D 3	2512 D 4	1741 D 9	0003 B 1
9525 B 2	9503 B 3	6652 B 7	4677 B 5	3887 C 4	3796 D 8	3757 D 7	3690 C 9	3641 C 9	3570 D 1	3531 B 3	2848 A 2	2735 A 9	2692 B 9	2560 D 3	2517 B 4	1743 D 7	0004 B 1
9526 A 5	9504 C 4	6760 A 6	4679 D 5	3891 A 5	3797 D 8	3759 E 7	3691 C 8	3642 B 9	3573 B 1	3535 D 4	2849 A 3	2761 A 7	2693 C 9	2561 E 3	2518 D 4	1750 B 6	0007 A 1
9527 A 5	9505 D 3	6772 E 9	4680 D 5	3895 B 4	3798 E 7	3761 A 6	3694 C 8	3643 C 9	3575 E 3	3536 A 4	2855 A 5	2762 A 7	2694 C 7	2563 D 1	2519 C 2	1820 B 2	1504 B 1
9528 A 5	9506 B 6	6773 E 9	4684 D 4	3896 B 4	3841 B 3	3765 A 7	3705 A 8	3646 B 8	3577 E 4	3541 E 2	2856 A 3	2763 A 7	2701 A 9	2564 D 1	2520 C 2	1824 B 2	1505 C 2
9531 B 5	9507 B 3	6774 E 9	4685 D 4	3897 B 3	3845 A 4	3766 A 7	3706 A 8	3653 C 8	3578 D 3	3543 E 4	2858 B 3	2765 A 7	2702 A 9	2565 E 1	2521 B 2	1825 A 4	1551 C 2
9532 E 4	9508 D 2	6775 E 9	4686 D 4	3898 B 2	3846 A 4	3768 A 6	3715 A 8	3654 C 9	3580 B 1	3544 D 3	2859 A 2	2780 B 8	2703 A 9	2566 E 1	2523 B 2	1828 B 5	1552 C 3
9533 E 4	9509 D 2	6776 E 9	4692 D 5	3899 B 3	3847 A 4	3770 E 9	3717 B 8	3655 C 7	3586 C 2	3553 B 2	3500 C 4	2781 B 9	2704 A 9	2575 C 1	2524 E 1	1829 A 6	1553 C 3
9534 E 6	9511 B 3	6777 A 5	4693 C 4	4551 C 1	3848 A 4	3773 B 8	3718 B 8	3656 B 7	3587 C 1	3554 B 2	3503 B 2	2783 B 9	2711 A 8	2576 C 1	2525 B 2	1831 C 6	1554 C 1
9535 E 6	9512 B 3	6778 B 9	4695 B 5	4552 C 1	3854 B 2	3775 E 9	3723 B 8	3660 B 7	3588 C 1	3557 B 2	3505 B 3	2784 B 9	2712 A 8	2577 B 1	2526 E 2	1832 C 6	1555 C 1
9536 E 6	9513 A 6	6790 D 9	4707 B 5	4555 E 5	3855 B 3	3776 E 9	3724 A 9	3663 C 7	3589 B 2	3558 B 1	3507 E 4	2785 E 9	2713 A 8	2578 E 1	2529 E 1	1833 A 5	1556 D 1
9537 E 7	9514 C 8	6791 D 8	4708 B 5	4630 D 5	3857 A 4	3777 E 9	3733 A 9	3664 B 7	3595 D 2	3559 C 3	3511 E 3	2786 E 9	2714 A 7	2579 D 3	2530 B 2	1834 B 5	1557 C 2
9538 E 7	9515 E 4	6792 C 4	4709 B 5	4654 D 6	3858 A 3	3781 B 9	3735 B 6	3671 D 9	3596 D 2	3560 C 2	3516 D 2	2790 D 7	2715 A 8	2580 D 3	2537 B 2	2503 B 3	1558 D 1
9539 C 5	9516 E 7	6857 B 6	4720 C 5	4655 D 7	3863 B 2	3785 E 9	3736 A 6	3672 D 9	3597 E 2	3562 C 1	3517 D 2	2807 A 3	2716 A 8	2588 D 2	2541 D 2	2504 D 3	1562 E 6
9540 C 7	9517 E 4	7663 B 8	5631 C 8	4656 D 7	3866 A 3	3786 D 9	3738 A 8	3679 D 9	3598 E 2	3563 C 1	3518 C 1	2831 B 3	2717 B 8	2637 C 9	2542 B 2	2505 B 3	1711 A 9
9541 D 3	9518 C 3	7782 E 9	5632 B 8	4657 D 6	3868 A 2	3788 D 8	3740 D 9	3681 D 9	3601 C 5	3563 D 1	3519 D 2	2832 B 2	2718 B 8	2638 B 9	2550 D 4	2506 D 4	1712 A 9
9542 C 6	9519 C 4	7785 B 9	5701 B 9	4668 E 6	3870 A 2	3789 E 9	3741 D 9	3682 C 9	3631 C 9	3564 D 1	3520 C 2	2833 B 4	2722 B 7	2641 C 7	2552 D 2	2507 B 3	1713 C 8
9543 C 6	9520 C 5	7786 B 9	5790 C 5	4671 E 6	3871 A 2	3791 D 8	3742 D 9	3684 D 9	3632 B 8	3565 B 2	3521 C 2	2843 D 3	2727 B 8	2642 B 7	2555 C 4	2508 D 4	1720 A 9
9544 C 4	9522 A 3	7862 A 5	5791 D 5	4672 E 6	3873 C 6	3792 D 8	3753 E 7	3686 D 9	3635 C 9	3566 E 2	3525 B 2	2844 D 3	2728 A 9	2647 C 7	2556 C 4	2509 B 2	1730 A 8

8 7 6 5 4 3 2 1

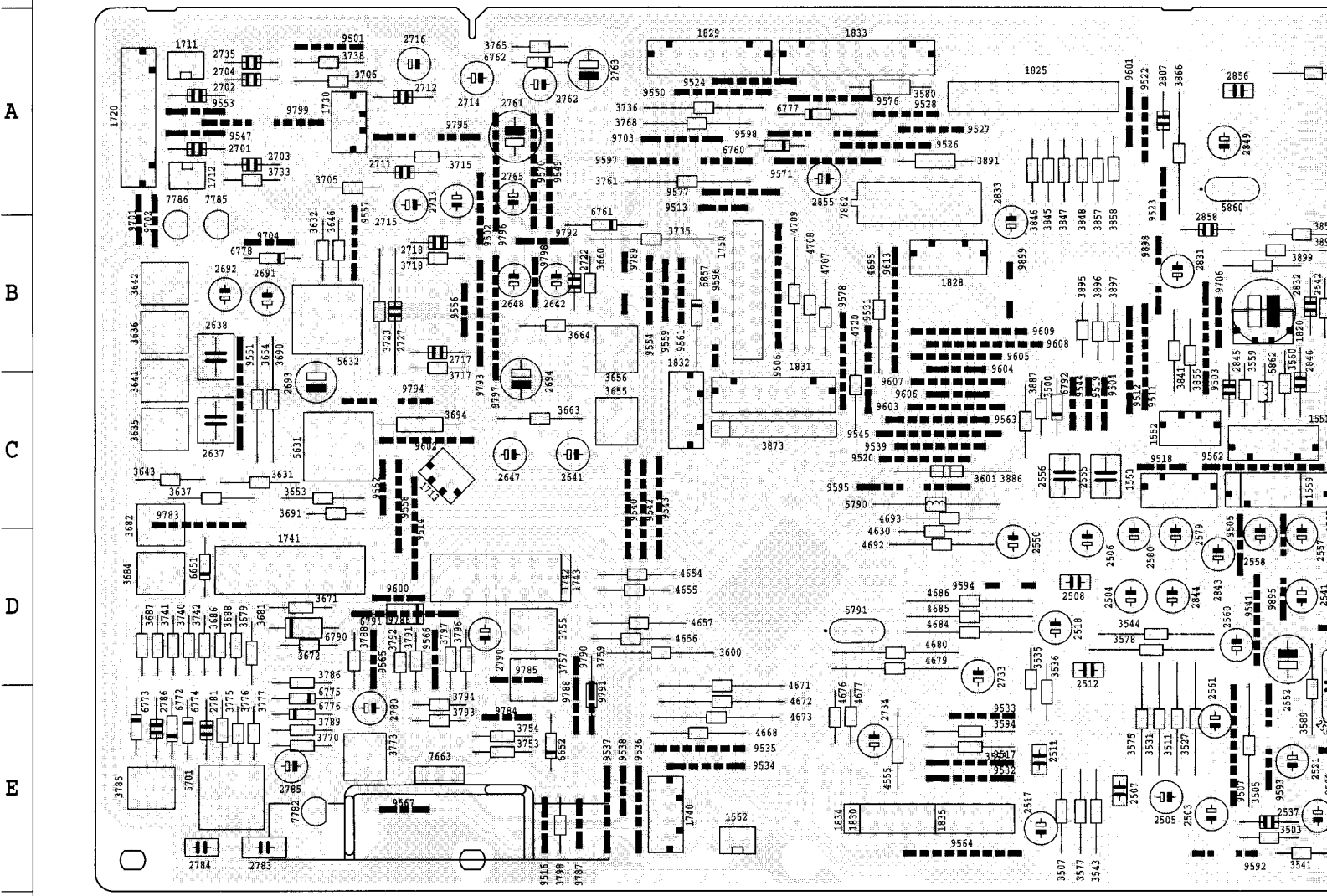


8 7 6 5 4 3 2 1

A
B
C
D
E

9790 E 7	9605 B 4	9571 A 5	9545 C 5	9523 A 3	9501 A 8	5860 A 3	4673 E 6	3875 A 2	3793 E 8	3754 E 7	3687 D 9	3636 B 9	3567 E 2	3526 B 2	2845 C 3	2733 D 4
9791 E 7	9606 C 4	9574 E 2	9547 A 9	9524 A 6	9502 A 7	6651 D 9	4676 E 5	3886 C 5	3794 E 8	3755 D 7	3688 D 9	3637 C 9	3569 D 1	3527 E 3	2846 C 2	2734 E 5
9792 B 7	9607 C 4	9576 A 5	9549 A 7	9525 B 2	9503 B 3	6652 E 2	4677 E 5	3887 C 4	3796 D 8	3757 D 7	3690 C 9	3641 C 9	3570 D 1	3531 E 3	2848 A 2	2735 A 9
9793 B 7	9608 B 4	9577 A 6	9550 A 6	9526 A 5	9504 C 4	6760 A 6	4679 D 5	3891 A 5	3797 D 8	3759 E 7	3691 C 8	3642 B 9	3573 E 1	3535 D 4	2849 A 3	2761 A 7
9794 C 8	9609 B 4	9578 B 5	9551 C 9	9527 A 5	9505 D 3	6772 E 9	4680 D 5	3895 B 4	3798 E 7	3761 A 6	3694 C 8	3643 C 9	3575 E 3	3536 E 4	2855 A 5	2762 A 7
9795 A 8	9610 C 2	9579 A 5	9552 C 8	9528 A 5	9506 B 6	6773 E 9	4684 D 4	3896 B 4	3841 B 3	3765 A 7	3705 A 8	3646 B 8	3577 E 4	3541 E 2	2856 A 3	2763 A 7
9796 A 7	9613 B 5	9581 E 4	9553 A 9	9531 B 5	9507 E 3	6774 E 9	4685 D 4	3897 B 3	3845 A 4	3766 A 7	3706 A 8	3653 C 8	3578 D 3	3543 E 4	2858 B 3	2765 A 7
9797 B 7	9701 B 9	9592 E 3	9554 B 6	9532 E 4	9508 D 2	6775 E 9	4686 D 4	3898 B 2	3846 A 4	3768 A 6	3715 A 8	3654 C 9	3580 B 1	3544 D 3	2859 A 2	2780 E 8
9798 B 7	9702 B 9	9593 E 2	9556 B 8	9533 E 4	9509 D 2	6776 E 9	4692 D 5	3899 B 3	3847 A 4	3770 E 9	3717 B 8	3655 C 7	3586 C 2	3553 E 2	3500 C 4	2781 E 9
9799 A 9	9703 A 6	9594 D 4	9557 B 8	9534 E 6	9511 B 3	6777 A 5	4693 C 4	4551 C 1	3848 A 4	3773 E 8	3718 B 8	3656 B 7	3587 C 1	3554 E 2	3503 B 2	2783 E 9
9895 D 2	9704 B 9	9595 C 5	9558 C 8	9535 E 6	9512 B 3	6778 B 9	4695 B 5	4552 C 1	3854 B 2	3775 E 9	3723 B 8	3660 B 7	3588 C 1	3557 E 2	3505 B 3	2784 E 9
9896 C 2	9705 E 2	9596 B 6	9559 B 6	9536 E 6	9513 A 6	6790 D 9	4707 B 5	4555 E 5	3855 B 3	3776 E 9	3724 A 9	3663 C 7	3589 E 2	3558 E 1	3507 E 4	2785 E 9
9897 B 1	9706 B 3	9597 A 6	9561 B 6	9537 E 7	9514 C 8	6791 D 8	4708 B 5	4630 D 5	3857 A 4	3777 E 9	3733 A 9	3664 B 7	3595 D 2	3559 C 3	3511 B 3	2786 E 9
9898 B 3	9783 C 9	9598 A 5	9562 C 2	9538 C 7	9515 E 4	6792 C 4	4709 B 5	4654 D 6	3858 B 3	3781 B 9	3735 B 6	3671 D 9	3596 D 2	3560 C 2	3516 D 2	2790 D 7
9899 B 4	9784 E 7	9599 D 1	9563 C 5	9539 C 5	9516 E 7	6857 B 6	4720 C 5	4655 D 7	3863 B 2	3785 E 9	3736 A 6	3672 D 9	3597 E 2	3561 C 1	3517 D 2	2807 A 3
	9785 D 7	9600 D 8	9564 E 4	9540 C 7	9517 E 4	7663 E 8	5631 C 8	4656 D 7	3866 A 3	3786 D 9	3738 A 8	3679 D 9	3598 E 2	3562 C 1	3518 C 1	2831 B 3
	9786 D 8	9601 A 3	9565 D 8	9541 D 3	9518 C 3	7782 E 9	5632 B 8	4657 D 6	3868 A 2	3788 D 8	3740 D 9	3681 D 9	3601 C 5	3563 D 1	3519 D 2	2832 B 4
	9787 E 7	9602 C 8	9566 D 8	9542 C 6	9519 C 4	7785 B 9	5701 E 9	4668 B 6	3870 A 2	3789 E 9	3741 D 9	3682 C 9	3631 C 9	3564 D 1	3520 C 2	2833 B 4
	9788 E 7	9603 C 4	9567 E 8	9543 C 6	9520 C 5	7786 B 9	5790 C 5	4671 E 6	3871 A 2	3791 D 8	3742 D 9	3684 D 9	3632 B 9	3565 B 2	3521 C 2	2843 D 3
	9789 B 7	9604 B 4	9570 A 7	9544 C 4	9522 A 3	7862 A 5	5791 D 5	4672 E 6	3873 C 6	3792 D 8	3753 E 7	3686 D 9	3635 C 9	3566 E 2	3525 B 2	2844 D 3

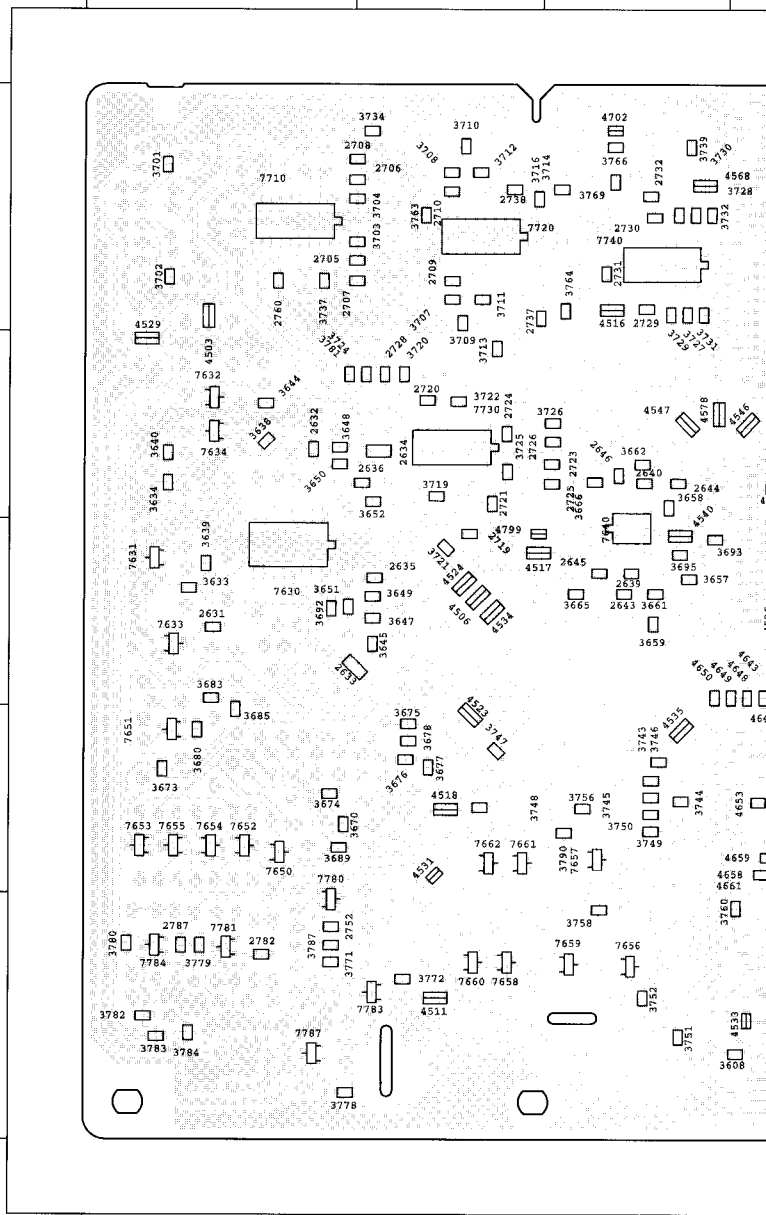
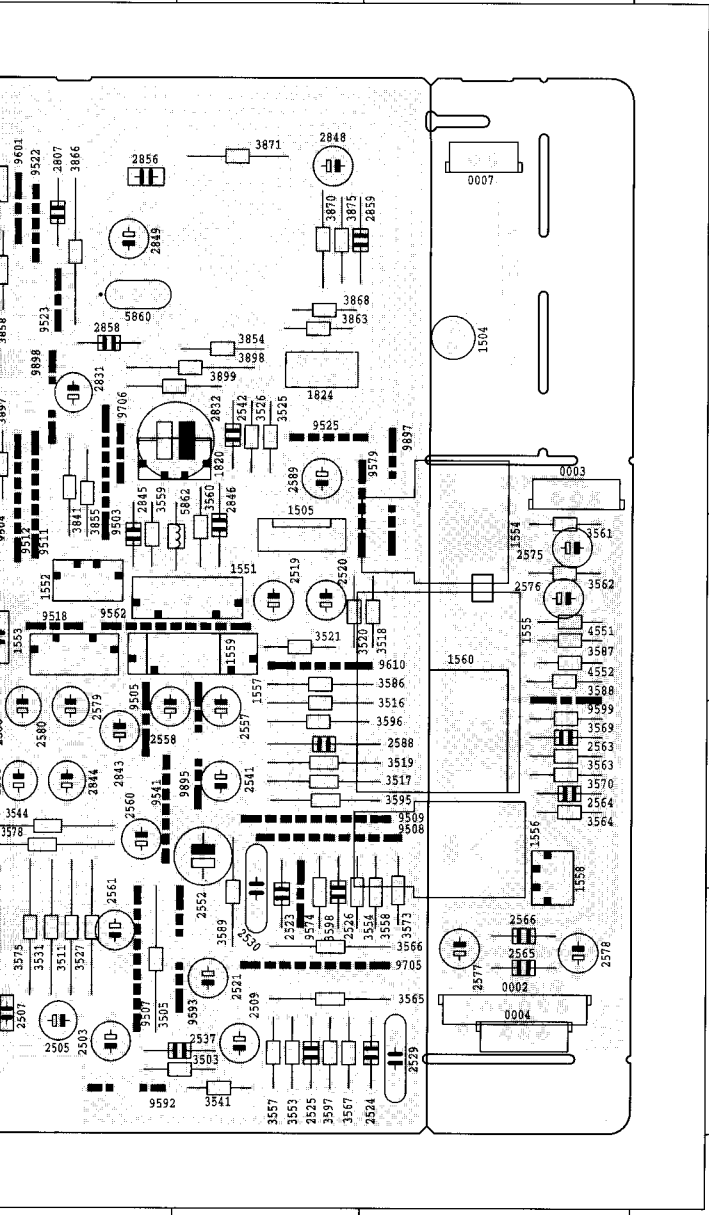
9 8 7 6 5 4 3



9 8 7 6 5 4 3

3526 B 2	2845 C 3	2733 D 4	2648 B 7	2557 D 2	2511 E 4	1740 E 6	0002 E 1
3527 B 3	2846 C 2	2734 B 5	2691 B 9	2558 D 3	2512 D 4	1741 D 9	0003 B 1
3531 B 3	2848 A 2	2735 A 9	2692 B 9	2560 D 3	2517 B 4	1743 D 7	0004 E 1
3535 D 4	2849 A 3	2761 A 7	2693 C 9	2561 B 3	2518 D 4	1750 B 6	0007 A 1
3536 E 4	2855 A 5	2762 A 7	2694 C 7	2563 D 1	2519 C 2	1820 B 2	1504 B 1
3541 E 2	2856 A 3	2763 A 7	2701 A 9	2564 D 1	2520 C 2	1824 B 2	1505 C 2
3543 E 4	2858 B 3	2765 A 7	2702 A 9	2565 E 1	2521 E 2	1825 A 4	1551 C 2
3544 D 3	2859 A 2	2780 E 8	2703 A 9	2566 E 1	2523 E 2	1828 B 5	1552 C 3
3553 D 2	3500 C 4	2781 E 9	2704 A 9	2575 C 1	2524 E 1	1829 A 6	1553 C 3
3554 D 2	3503 C 2	2783 E 9	2711 A 8	2576 C 1	2525 B 1	1831 C 6	1554 C 1
3557 B 2	3505 E 3	2784 E 9	2712 A 8	2577 E 1	2526 B 2	1832 C 6	1555 C 1
3558 B 1	3507 E 4	2785 E 9	2713 A 8	2578 E 1	2529 E 1	1833 A 5	1556 D 1
3559 C 3	3511 B 3	2786 E 9	2714 A 7	2579 D 3	2530 E 2	1834 E 5	1557 C 2
3560 C 2	3516 D 2	2790 D 7	2715 A 8	2580 D 3	2537 E 2	2503 C 3	1558 D 1
3561 C 1	3517 D 2	2807 A 3	2716 A 8	2588 D 2	2541 D 2	2504 D 3	1562 E 6
3562 C 1	3518 C 1	2831 B 3	2717 B 8	2637 C 9	2542 B 2	2505 E 3	1711 A 9
3563 D 1	3519 D 2	2832 B 2	2718 B 8	2638 B 9	2550 D 4	2506 D 4	1712 A 9
3564 D 1	3520 C 2	2833 B 4	2718 B 7	2641 C 7	2552 D 2	2507 B 3	1713 C 8
3565 E 2	3521 C 2	2843 D 3	2727 B 8	2642 B 7	2555 C 4	2508 D 4	1720 A 9
3566 E 2	3525 B 2	2844 D 3	2728 A 9	2647 C 7	2556 C 4	2509 E 2	1730 A 8

2501 E 2	2586 D 2	2729 A 7	3504 D 4	3551 E 2	3639 C 9	3685 D 9	3729 A 7	3774 E
2502 D 4	2631 C 9	2730 A 7	3506 E 3	3552 D 2	3640 B 9	3689 D 9	3730 A 7	3778 E
2513 E 4	2632 B 9	2731 A 7	3508 D 4	3555 E 2	3644 B 9	3692 C 9	3731 A 7	3779 E
2514 D 4	2633 C 8	2732 A 7	3509 E 1	3556 E 2	3645 C 8	3693 C 7	3732 A 7	3780 E
2515 D 2	2634 B 8	2737 A 8	3510 D 2	3568 E 2	3647 C 8	3695 C 7	3734 A 8	3782 E
2516 C 2	2635 C 8	2738 A 8	3512 D 3	3572 E 6	3648 B 9	3701 A 9	3737 A 9	3783 E
2527 E 2	2636 B 8	2752 E 9	3513 D 2	3574 D 2	3649 C 8	3702 A 9	3743 D 7	3784 E
2528 E 1	2639 C 7	2760 A 8	3514 C 2	3576 D 3	3650 B 9	3703 A 8	3744 D 7	3787 E
2531 E 2	2640 B 7	2782 E 9	3515 D 2	3581 C 2	3651 C 9	3704 A 8	3745 D 7	3790 D
2532 E 2	2643 C 7	2787 E 9	3522 C 2	3582 C 3	3652 B 8	3707 A 8	3746 D 7	3811 A
2533 D 2	2644 B 7	2794 C 5	3523 D 2	3583 E 1	3657 C 7	3708 A 8	3747 D 8	3842 B
2534 C 2	2645 C 7	2834 A 4	3524 D 2	3584 E 2	3658 B 7	3709 A 8	3748 D 8	3843 B
2535 E 3	2646 B 7	2835 A 4	3528 D 3	3585 D 2	3659 C 7	3710 A 8	3749 D 7	3844 A
2536 E 3	2705 A 8	2836 A 4	3529 D 2	3590 D 2	3661 C 7	3711 A 8	3750 D 7	3849 A
2538 C 4	2706 A 8	2837 A 4	3530 C 2	3591 E 1	3662 B 7	3712 A 8	3751 E 7	3850 A
2539 E 5	2707 A 8	2838 A 4	3532 D 3	3592 E 2	3665 C 7	3713 A 8	3752 E 7	3851 B
2540 D 4	2708 A 8	2839 A 3	3533 E 4	3599 B 2	3666 B 7	3714 A 7	3756 D 7	3852 B
2553 D 5	2709 A 8	2840 A 5	3534 B 4	3600 E 6	3670 D 9	3716 A 8	3758 E 7	3853 B
2559 E 3	2710 A 8	2841 C 3	3537 D 4	3605 E 5	3673 D 9	3719 B 8	3760 E 6	3856 A
2573 C 2	2719 C 8	2850 A 3	3538 D 4	3606 E 4	3674 D 9	3720 B 8	3762 A 5	3859 B
2574 C 2	2720 B 8	2851 A 3	3539 D 4	3607 D 4	3675 D 8	3721 C 8	3763 A 8	3860 A
2581 D 2	2721 B 8	2852 A 3	3540 C 4	3608 E 6	3676 D 8	3722 B 8	3764 A 7	3861 A
2582 C 2	2723 B 7	2857 B 3	3545 C 4	3609 E 6	3677 D 8	3725 B 8	3767 A 6	3862 A
2583 D 2	2724 B 8	2861 B 2	3547 E 2	3633 C 9	3678 D 8	3726 B 7	3769 A 7	3864 B
2584 C 2	2725 B 7	3501 E 2	3548 E 2	3634 B 9	3680 D 9	3727 A 7	3771 E 9	3865 B
2585 D 2	2726 B 7	3502 D 4	3549 D 5	3638 B 9	3683 C 9	3728 A 7	3772 E 8	3867 B



351 E 2	3639 C 9	3685 D 9	3729 A 7	3774 E 5	3869 A 4	4525 D 2	4559 E 5	4640 C 6	4674 E 5	4716 C 5	7631 C 9	7783 E 8	T015 A 5	T042 C 2	T074 C 3	T114 D 8	T143 B 6
352 D 2	3640 B 9	3689 D 9	3730 A 7	3778 E 9	3872 B 3	4526 E 5	4561 E 5	4641 C 6	4675 E 5	4718 E 5	7632 B 9	7784 E 9	T016 A 5	T043 A 3	T076 C 3	T115 D 8	T144 A 6
355 E 2	3644 B 9	3692 C 9	3731 A 7	3779 E 9	3874 B 3	4527 E 4	4565 E 4	4642 C 6	4678 D 5	4719 E 5	7633 C 9	7787 E 9	T018 A 3	T045 C 2	T078 A 5	T116 D 9	T145 B 6
356 E 2	3645 C 8	3693 C 7	3732 A 7	3780 E 9	3876 C 3	4529 B 9	4566 B 3	4643 C 6	4681 D 5	4721 C 5	7634 B 9	7788 A 6	T019 A 4	T046 C 1	T079 C 3	T117 C 9	T146 B 6
357 E 2	3647 C 8	3695 C 7	3733 A 8	3782 E 9	3877 B 3	4530 E 6	4568 A 7	4644 C 6	4682 D 5	4723 C 8	7640 C 7	7820 A 4	T020 B 2	T047 A 6	T080 D 3	T118 D 9	T147 D 5
368 E 6	3648 B 9	3701 A 9	3734 A 9	3783 E 9	3878 B 4	4531 D 8	4572 C 6	4645 C 6	4683 D 5	4724 B 8	7650 D 9	7850 B 4	T021 B 2	T048 B 6	T081 C 2	T119 D 9	T148 E 5
374 D 2	3649 C 8	3702 A 9	3743 D 7	3784 E 9	3879 A 3	4533 E 6	4574 C 3	4646 D 6	4687 D 5	4729 C 8	7651 D 9	7851 E 6	T022 A 2	T049 A 3	T082 C 3	T120 D 9	T149 E 7
376 D 3	3650 B 9	3703 A 8	3744 D 7	3787 E 9	3880 A 5	4534 C 8	4577 A 5	4647 D 6	4688 D 5	4801 B 2	7652 D 9	7852 B 2	T023 B 2	T050 B 3	T083 E 6	T121 D 9	T161 B 9
381 C 2	3651 C 9	3704 A 8	3745 D 7	3790 D 7	3881 A 5	4535 D 7	4578 B 7	4648 C 6	4689 D 6	4802 A 3	7653 D 9	7853 B 2	T024 B 5	T051 A 5	T084 E 5	T122 D 9	T162 E 9
382 C 3	3652 B 8	3707 A 8	3746 D 7	3811 A 3	3882 A 5	4536 C 6	4579 D 3	4649 C 6	4690 E 6	4803 A 3	7654 D 9	7856 B 3	T025 B 5	T052 A 6	T085 E 6	T123 D 9	T163 A 9
383 E 1	3657 C 7	3708 A 8	3747 D 8	3842 B 2	3883 A 5	4537 A 5	4592 A 6	4650 C 7	4691 D 5	6551 E 4	7655 D 9	7860 A 2	T026 B 4	T053 A 6	T086 E 5	T124 D 9	T164 A 9
384 E 2	3658 B 7	3709 A 8	3748 D 8	3843 B 2	3884 A 4	4538 B 6	4593 B 6	4651 C 6	4694 C 5	6552 D 4	7656 E 7	7861 B 3	T027 A 4	T054 A 6	T087 E 6	T125 D 7	T165 A 9
385 D 2	3659 C 7	3710 A 8	3749 D 7	3844 A 2	3885 A 5	4540 C 7	4594 C 1	4652 D 6	4696 D 5	6553 E 4	7657 D 7	T001 A 4	T028 B 3	T055 B 2	T088 E 4	T126 D 7	T166 B 9
390 D 2	3661 C 7	3711 A 8	3750 D 7	3849 A 3	4500 E 2	4541 B 6	4595 E 5	4653 D 6	4697 C 5	6554 D 4	7658 E 8	T002 A 3	T029 B 2	T056 A 5	T089 E 6	T127 E 7	T167 A 8
391 E 1	3662 B 7	3712 A 8	3751 E 7	3850 A 3	4502 C 5	4542 B 6	4596 E 4	4658 D 6	4698 C 5	7501 D 2	7659 E 7	T003 A 3	T030 B 2	T057 A 5	T090 E 4	T128 D 7	T168 A 8
392 E 2	3665 C 7	3713 A 8	3752 D 7	3851 B 2	4503 A 9	4543 A 5	4597 E 5	4659 D 6	4699 C 5	7502 D 4	7660 E 8	T004 A 4	T031 C 6	T059 A 5	T091 E 6	T129 E 7	T169 A 8
398 B 2	3666 B 7	3714 A 7	3756 D 7	3852 B 3	4506 C 8	4545 B 1	4599 E 4	4660 D 6	4700 C 5	7503 C 2	7661 D 8	T005 A 3	T032 B 3	T061 E 3	T092 E 4	T130 D 7	T170 E 8
399 E 6	3670 D 9	3716 A 8	3758 E 7	3853 B 2	4510 B 1	4546 B 6	4631 E 5	4661 E 6	4701 C 5	7504 C 2	7662 D 8	T006 A 4	T033 C 6	T062 A 4	T093 E 1	T131 E 7	T171 A 7
395 E 5	3673 D 9	3719 B 8	3760 E 6	3856 A 3	4511 E 8	4547 B 7	4632 C 6	4662 D 5	4702 A 7	7505 E 2	7669 D 6	T007 A 4	T034 C 5	T063 A 5	T094 E 1	T132 D 8	T172 B 7
396 E 4	3674 D 9	3720 B 8	3762 A 5	3859 B 3	4516 A 7	4548 C 2	4633 C 6	4663 D 5	4703 C 5	7506 E 2	7701 C 5	T008 A 4	T035 C 5	T064 E 5	T095 C 1	T133 E 7	T173 C 9
397 D 4	3675 D 8	3721 C 8	3763 A 8	3860 A 3	4517 C 8	4549 B 3	4634 C 6	4664 D 6	4704 B 6	7507 E 3	7710 A 9	T009 A 3	T036 C 5	T065 E 5	T096 C 1	T134 D 8	T174 B 9
398 E 6	3676 D 8	3722 B 8	3764 A 7	3861 A 4	4518 D 8	4550 B 6	4635 C 6	4665 E 6	4705 A 6	7508 C 1	7720 A 9	T010 A 4	T037 C 5	T066 E 3	T097 D 1	T135 E 8	T175 C 8
399 E 6	3677 D 8	3723 B 8	3767 A 6	3862 A 3	4520 D 4	4553 C 1	4636 C 6	4666 D 6	4710 B 5	7509 C 1	7730 B 8	T011 A 4	T038 C 6	T067 B 3	T098 D 1	T139 B 6	T176 C 9
333 C 9	3678 D 8	3725 B 7	3769 A 7	3864 B 3	4521 E 6	4554 C 1	4637 C 6	4667 E 6	4711 B 5	7512 C 4	7740 A 7	T012 A 4	T039 C 6	T068 E 5	T099 E 1	T140 B 6	T177 B 5
34 B 9	3680 D 9	3727 A 7	3771 E 9	3865 B 3	4523 D 8	4557 E 6	4638 C 6	4669 E 6	4712 B 5	7553 E 3	7780 E 9	T013 A 4	T040 C 6	T072 D 2	T100 E 6	T141 B 6	
38 B 9	3683 C 9	3728 A 7	3772 E 8	3867 B 3	4524 C 8	4558 E 6	4639 C 6	4670 E 6	4713 B 5	7630 C 9	7781 E 9	T014 B 3	T041 C 6	T073 B 2	T113 D 8	T142 A 5	

8

7

6

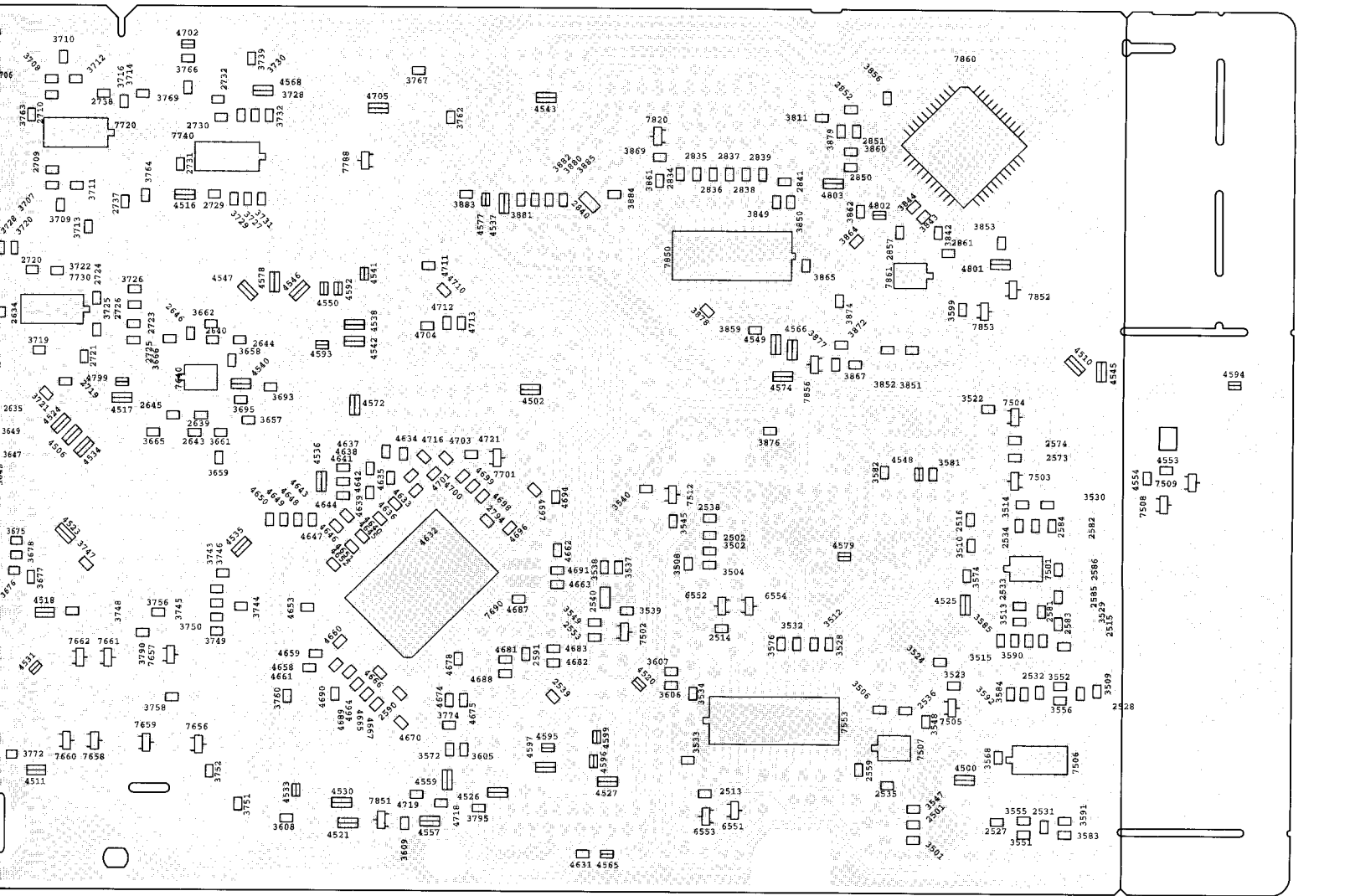
5

4

3

2

1



8

7

6

5

4

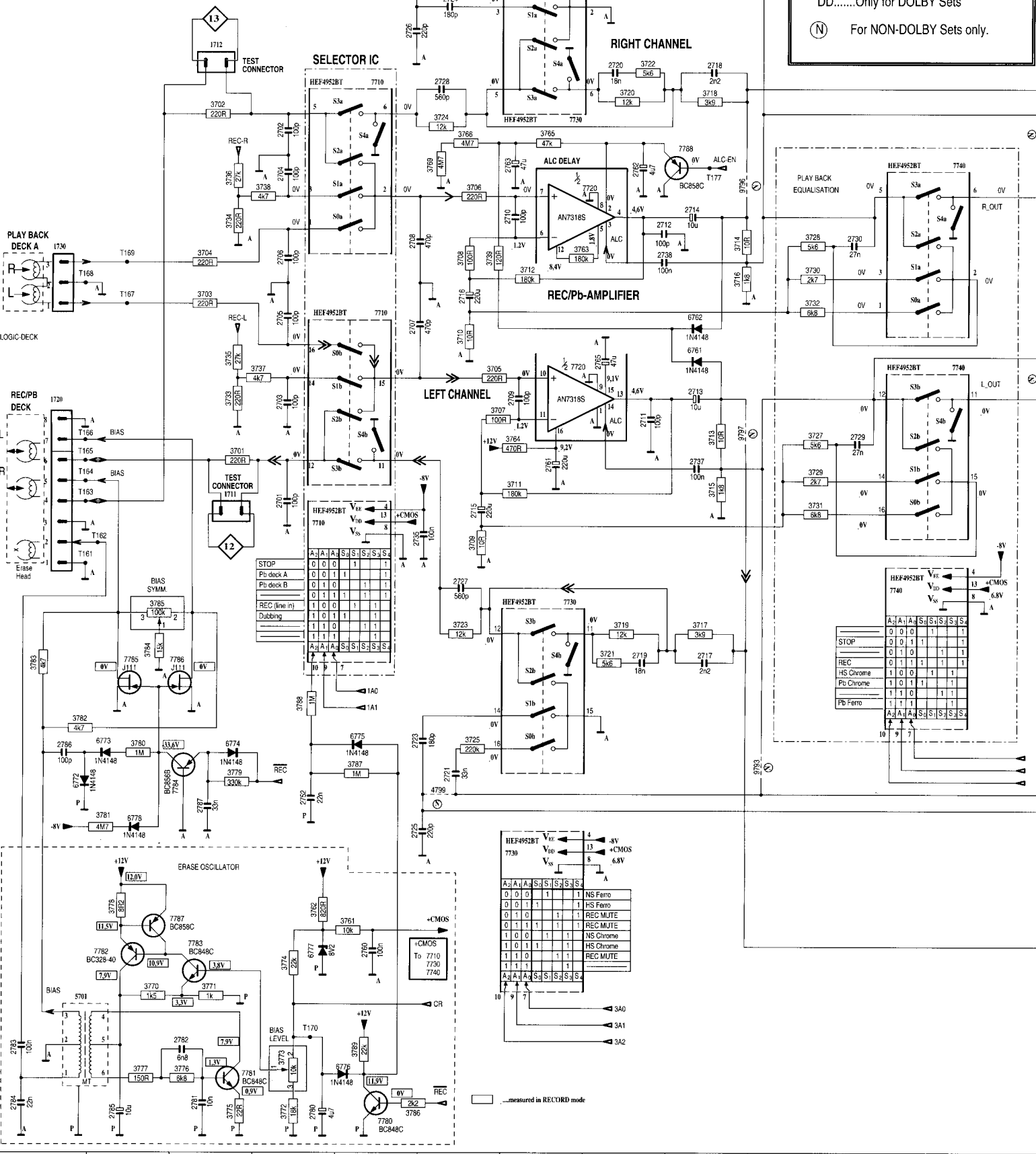
3

2

1

COMBI TAPE SIGNAL PART

DD.....Only for DOLBY Sets
 (N) For NON-DOLBY Sets only.

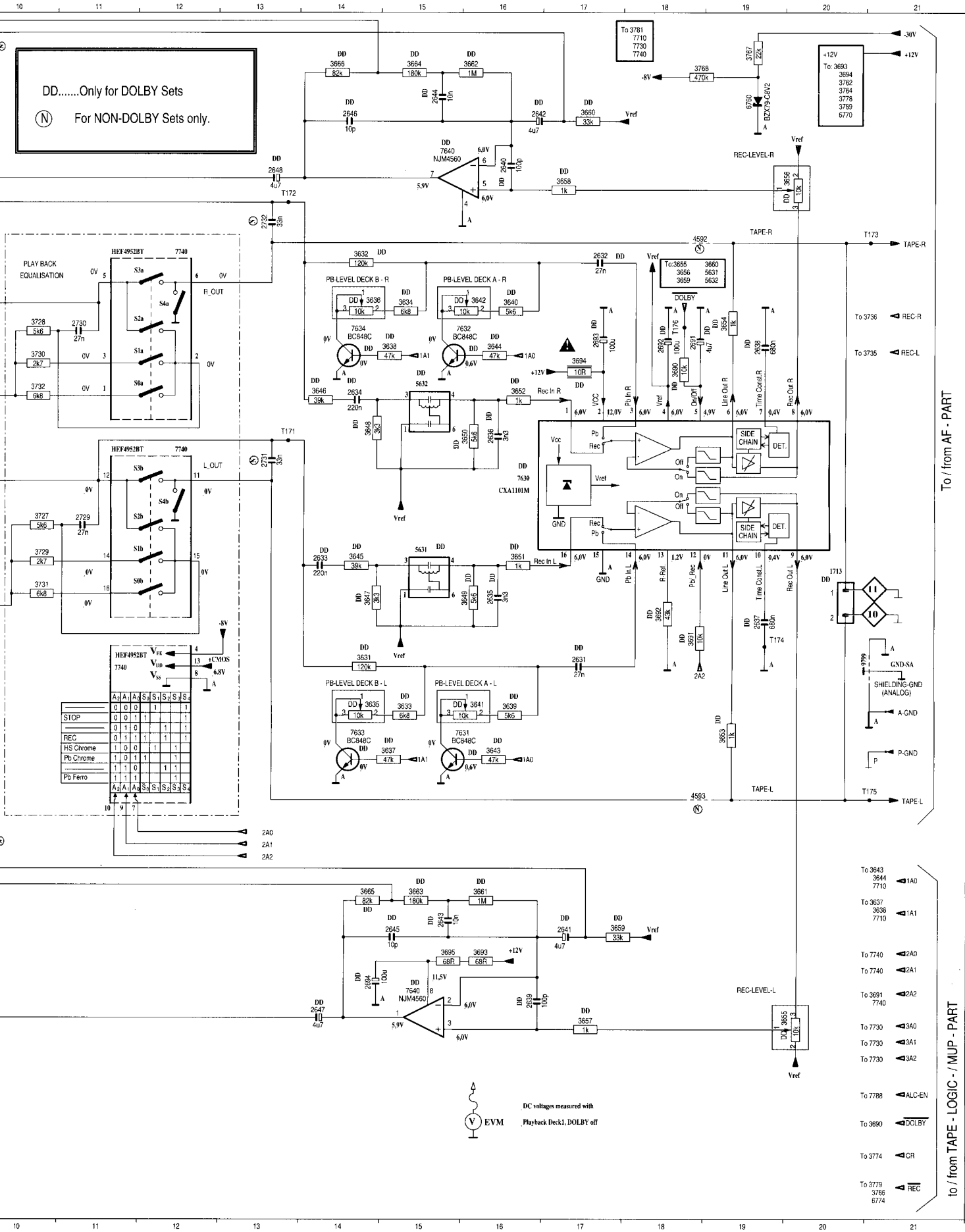


	A ₁	A ₂	A ₃	A ₄	S ₁	S ₂	S ₃	S ₄
STOP	0	0	0	1	1	1	1	1
Pb deck A	0	0	1	1	1	1	1	1
Pb deck B	0	1	0	1	1	1	1	1
REC (line in)	1	0	0	1	1	1	1	1
Dubbing	1	1	1	1	1	1	1	1

	A ₁	A ₂	A ₃	A ₄	S ₁	S ₂	S ₃	S ₄
NS Ferro	0	0	0	1	1	1	1	1
HS Ferro	0	0	1	1	1	1	1	1
REC MUTE	0	1	0	1	1	1	1	1
REC MUTE	0	1	1	1	1	1	1	1
NS Chrome	1	0	0	1	1	1	1	1
HS Chrome	1	0	1	1	1	1	1	1
REC MUTE	1	1	0	1	1	1	1	1
REC MUTE	1	1	1	1	1	1	1	1

.....measured in RECORD mode

DD.....Only for DOLBY Sets
 (N) For NON-DOLBY Sets only.



DC voltages measured with
 EVM
 Playback Deck1, DOLBY off

- 1711 G 3
- 1712 B 3
- 1713 G 3
- 1720 F 1
- 1730 D 1
- 2531 H 7
- 2533 C 17
- 2633 G 14
- 2634 E 14
- 2635 G 16
- 2636 E 16
- 2637 H 19
- 2638 D 19
- 2639 L 16
- 2640 B 16
- 2641 K 17
- 2642 A 16
- 2643 K 15
- 2644 A 15
- 2645 K 15
- 2646 A 14
- 2647 L 14
- 2648 B 13
- 2649 D 18
- 2652 D 19
- 2693 D 17
- 2694 L 14
- 2701 C 4
- 2702 C 4
- 2703 F 4
- 2704 C 4
- 2705 E 4
- 2706 D 4
- 2707 E 5
- 2708 D 5
- 2709 F 7
- 2710 D 7
- 2711 F 8
- 2712 D 8
- 2713 F 9
- 2714 D 9
- 2715 E 5
- 2716 E 8
- 2717 I 9
- 2718 B 9
- 2719 E 6
- 2720 B 8
- 2721 B 8
- 2722 A 6
- 2723 J 5
- 2724 A 6
- 2725 K 5
- 2726 A 5
- 2727 C 6
- 2728 E 6
- 2729 F 11
- 2730 D 11
- 2731 F 13
- 2732 C 13
- 2735 H 5
- 2737 G 5
- 2738 D 8
- 2752 K 4
- 2760 D 10
- 2761 G 7
- 2762 C 8
- 2763 C 6
- 2765 E 8
- 2780 N 4
- 2781 N 3
- 2782 N 3
- 2783 N 1
- 2784 N 1
- 2785 N 2
- 2786 N 1
- 2787 K 3
- 3831 H 14
- 3832 C 14
- 3833 I 15
- 3834 D 15
- 3835 I 14
- 3836 D 14
- 3837 I 15
- 3838 D 15
- 3839 I 16
- 3840 D 16
- 3841 I 16
- 3842 D 16
- 3843 I 16
- 3844 D 16
- 3845 G 14
- 3849 E 14
- 3850 G 14
- 3852 E 16
- 3859 I 19
- 3854 D 19
- 3855 L 19
- 3856 B 19
- 3857 M 17
- 3858 B 17
- 3859 K 17
- 3860 A 17
- 3861 K 18
- 3862 A 16
- 3863 K 15
- 3864 A 15
- 3865 K 14
- 3866 A 14
- 3869 D 18
- 3891 H 18
- 3892 C 18
- 3893 L 16
- 3894 D 17
- 3701 F 3
- 3702 B 3
- 3703 E 3
- 3704 D 3
- 3705 E 8
- 3706 C 6
- 3707 F 6
- 3708 D 6
- 3709 H 6
- 3710 E 6
- 3711 G 7
- 3712 D 7
- 3713 F 9
- 3714 D 9
- 3715 B 9
- 3716 D 9
- 3717 I 9
- 3718 B 9
- 3719 I 8
- 3720 B 8
- 3721 B 8
- 3722 B 6
- 3723 I 6
- 3724 B 6
- 3725 J 6
- 3726 A 6
- 3727 F 10
- 3728 D 10
- 3729 S 10
- 3730 D 10
- 3731 G 10
- 3732 E 10
- 3733 F 3
- 3734 D 3
- 3735 E 3
- 3736 C 2
- 3737 F 2
- 3738 C 4
- 3739 D 6
- 3761 L 5
- 3762 L 4
- 3763 D 7
- 3764 F 7
- 3765 C 7
- 3766 C 6
- 3767 A 19
- 3768 A 18
- 3769 C 5
- 3770 M 2
- 3771 M 3
- 3772 M 3
- 3773 M 4
- 3774 M 4
- 3775 N 3
- 3776 N 3
- 3777 N 2
- 3778 L 2
- 3779 J 3
- 3780 J 2
- 3781 K 2
- 3782 J 1
- 3783 I 1
- 3784 I 2
- 3785 H 2
- 3786 N 5
- 3787 L 5
- 3788 J 4
- 3789 N 5
- 4582 C 18
- 4583 I 18
- 4798 K 6
- 5631 G 15
- 5632 B 15
- 5701 M 1
- 5702 A 19
- 5703 E 5
- 5704 E 5
- 5705 E 5
- 5706 J 2
- 5707 J 2
- 5708 J 2
- 5709 J 2
- 5710 J 2
- 5711 J 2
- 5712 J 2
- 5713 J 2
- 5714 J 2
- 5715 J 2
- 5716 J 2
- 5717 J 2
- 5718 J 2
- 5719 J 2
- 5720 J 2
- 5721 J 2
- 5722 J 2
- 5723 J 2
- 5724 J 2
- 5725 J 2
- 5726 J 2
- 5727 J 2
- 5728 J 2
- 5729 J 2
- 5730 J 2
- 5731 J 2
- 5732 J 2
- 5733 J 2
- 5734 J 2
- 5735 J 2
- 5736 J 2
- 5737 J 2
- 5738 J 2
- 5739 J 2
- 5740 J 2
- 5741 J 2
- 5742 J 2
- 5743 J 2
- 5744 J 2
- 5745 J 2
- 5746 J 2
- 5747 J 2
- 5748 J 2
- 5749 J 2
- 5750 J 2
- 5751 J 2
- 5752 J 2
- 5753 J 2
- 5754 J 2
- 5755 J 2
- 5756 J 2
- 5757 J 2
- 5758 J 2
- 5759 J 2
- 5760 J 2
- 5761 J 2
- 5762 J 2
- 5763 J 2
- 5764 J 2
- 5765 J 2
- 5766 J 2
- 5767 J 2
- 5768 J 2
- 5769 J 2
- 5770 J 2
- 5771 J 2
- 5772 J 2
- 5773 J 2
- 5774 J 2
- 5775 J 2
- 5776 J 2
- 5777 J 2
- 5778 J 2
- 5779 J 2
- 5780 J 2
- 5781 J 2
- 5782 J 2
- 5783 J 2
- 5784 J 2
- 5785 J 2
- 5786 J 2
- 5787 J 2
- 5788 J 2
- 5789 J 2
- 5790 J 2
- 5791 J 2
- 5792 J 2
- 5793 J 2
- 5794 J 2
- 5795 J 2
- 5796 J 2
- 5797 J 2
- 5798 J 2
- 5799 J 2
- 5800 J 2
- 5801 J 2
- 5802 J 2
- 5803 J 2
- 5804 J 2
- 5805 J 2
- 5806 J 2
- 5807 J 2
- 5808 J 2
- 5809 J 2
- 5810 J 2
- 5811 J 2
- 5812 J 2
- 5813 J 2
- 5814 J 2
- 5815 J 2
- 5816 J 2
- 5817 J 2
- 5818 J 2
- 5819 J 2
- 5820 J 2
- 5821 J 2
- 5822 J 2
- 5823 J 2
- 5824 J 2
- 5825 J 2
- 5826 J 2
- 5827 J 2
- 5828 J 2
- 5829 J 2
- 5830 J 2
- 5831 J 2
- 5832 J 2
- 5833 J 2
- 5834 J 2
- 5835 J 2
- 5836 J 2
- 5837 J 2
- 5838 J 2
- 5839 J 2
- 5840 J 2
- 5841 J 2
- 5842 J 2
- 5843 J 2
- 5844 J 2
- 5845 J 2
- 5846 J 2
- 5847 J 2
- 5848 J 2
- 5849 J 2
- 5850 J 2
- 5851 J 2
- 5852 J 2
- 5853 J 2
- 5854 J 2
- 5855 J 2
- 5856 J 2
- 5857 J 2
- 5858 J 2
- 5859 J 2
- 5860 J 2
- 5861 J 2
- 5862 J 2
- 5863 J 2
- 5864 J 2
- 5865 J 2
- 5866 J 2
- 5867 J 2
- 5868 J 2
- 5869 J 2
- 5870 J 2
- 5871 J 2
- 5872 J 2
- 5873 J 2
- 5874 J 2
- 5875 J 2
- 5876 J 2
- 5877 J 2
- 5878 J 2
- 5879 J 2
- 5880 J 2
- 5881 J 2
- 5882 J 2
- 5883 J 2
- 5884 J 2
- 5885 J 2
- 5886 J 2
- 5887 J 2
- 5888 J 2
- 5889 J 2
- 5890 J 2
- 5891 J 2
- 5892 J 2
- 5893 J 2
- 5894 J 2
- 5895 J 2
- 5896 J 2
- 5897 J 2
- 5898 J 2
- 5899 J 2
- 5900 J 2
- 5901 J 2
- 5902 J 2
- 5903 J 2
- 5904 J 2
- 5905 J 2
- 5906 J 2
- 5907 J 2
- 5908 J 2
- 5909 J 2
- 5910 J 2
- 5911 J 2
- 5912 J 2
- 5913 J 2
- 5914 J 2
- 5915 J 2
- 5916 J 2
- 5917 J 2
- 5918 J 2
- 5919 J 2
- 5920 J 2
- 5921 J 2
- 5922 J 2
- 5923 J 2
- 5924 J 2
- 5925 J 2
- 5926 J 2
- 5927 J 2
- 5928 J 2
- 5929 J 2
- 5930 J 2
- 5931 J 2
- 5932 J 2
- 5933 J 2
- 5934 J 2
- 5935 J 2
- 5936 J 2
- 5937 J 2
- 5938 J 2
- 5939 J 2
- 5940 J 2
- 5941 J 2
- 5942 J 2
- 5943 J 2
- 5944 J 2
- 5945 J 2
- 5946 J 2
- 5947 J 2
- 5948 J 2
- 5949 J 2
- 5950 J 2
- 5951 J 2
- 5952 J 2
- 5953 J 2
- 5954 J 2
- 5955 J 2
- 5956 J 2
- 5957 J 2
- 5958 J 2
- 5959 J 2
- 5960 J 2
- 5961 J 2
- 5962 J 2
- 5963 J 2
- 5964 J 2
- 5965 J 2
- 5966 J 2
- 5967 J 2
- 5968 J 2
- 5969 J 2
- 5970 J 2
- 5971 J 2
- 5972 J 2
- 5973 J 2
- 5974 J 2
- 5975 J 2
- 5976 J 2
- 5977 J 2
- 5978 J 2
- 5979 J 2
- 5980 J 2
- 5981 J 2
- 5982 J 2
- 5983 J 2
- 5984 J 2
- 5985 J 2
- 5986 J 2
- 5987 J 2
- 5988 J 2
- 5989 J 2
- 5990 J 2
- 5991 J 2
- 5992 J 2
- 5993 J 2
- 5994 J 2
- 5995 J 2
- 5996 J 2
- 5997 J 2
- 5998 J 2
- 5999 J 2
- 6000 J 2

To 3781
 7710
 7730
 7740

To 3693
 3694
 3762
 3764
 3768
 3769
 6770

To 3736
 REC-R

To 3735
 REC-L

To 3643
 3644
 7710
 1A0

To 3637
 3638
 7710
 1A1

To 7740
 2A0

To 7740
 2A1

To 3691
 7740
 2A2

To 7730
 3A0

To 7730
 3A1

To 7730
 3A2

To 7788
 ALC-EN

To 3690
 DOLBY

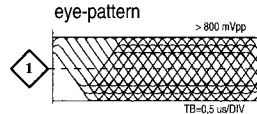
To 3774
 CR

To 3779
 3786
 8774
 REC

to / from AF - PART

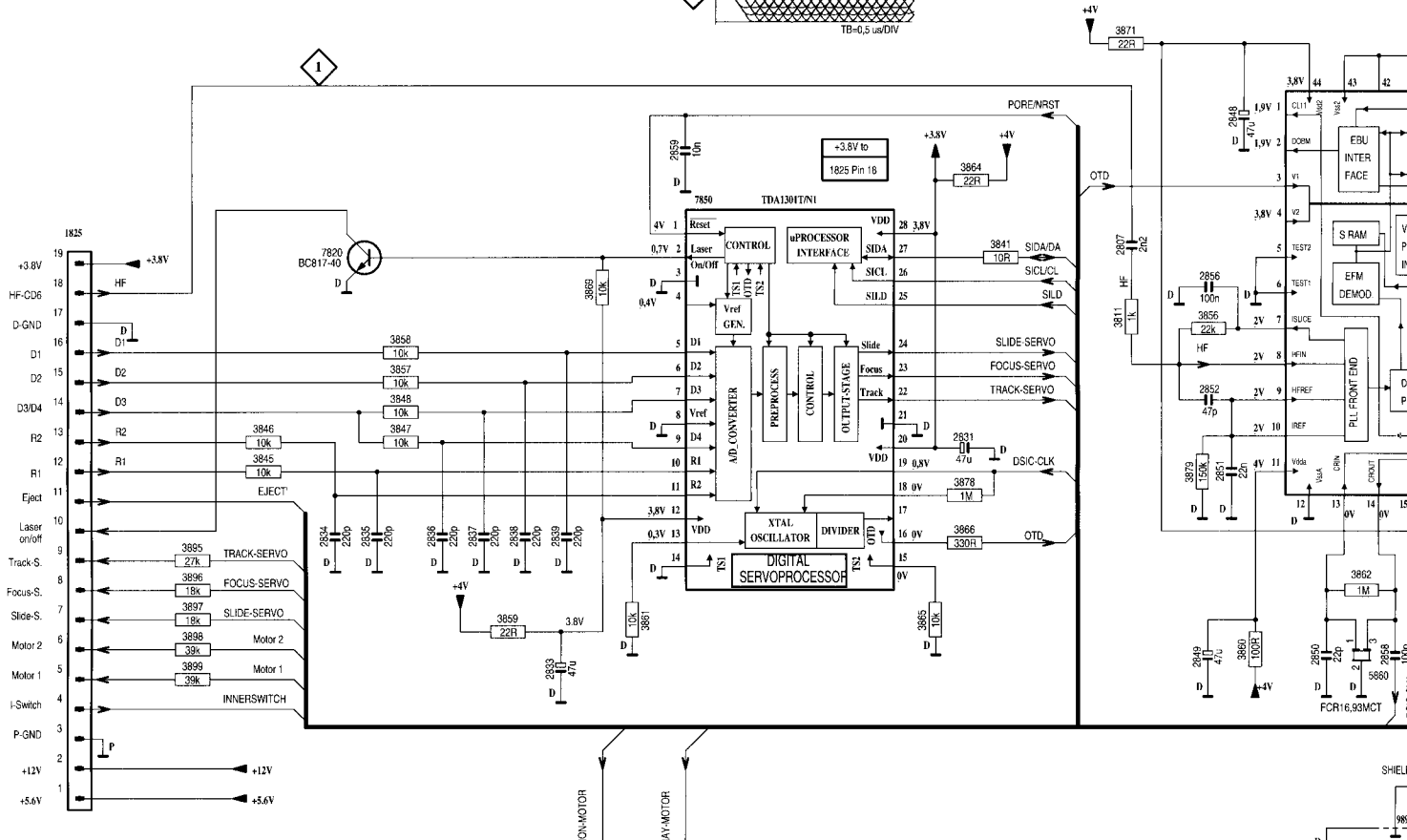
to / from TAPE - LOGIC - /MUP - PART

COMBI CD-PART

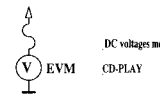
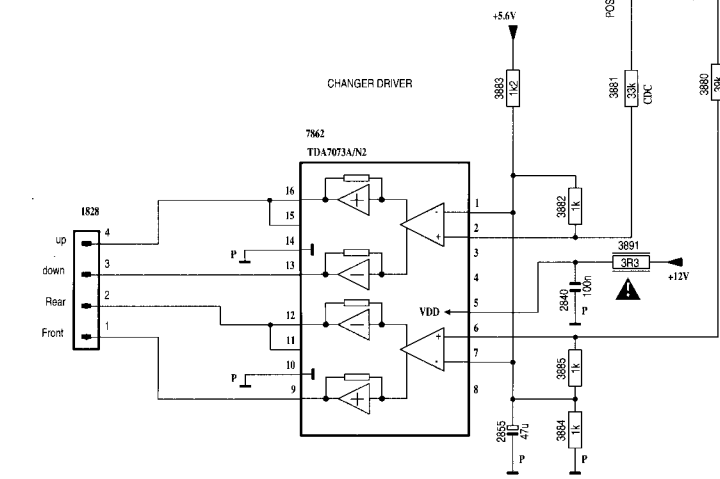


TO / FROM CD(C) MODULE

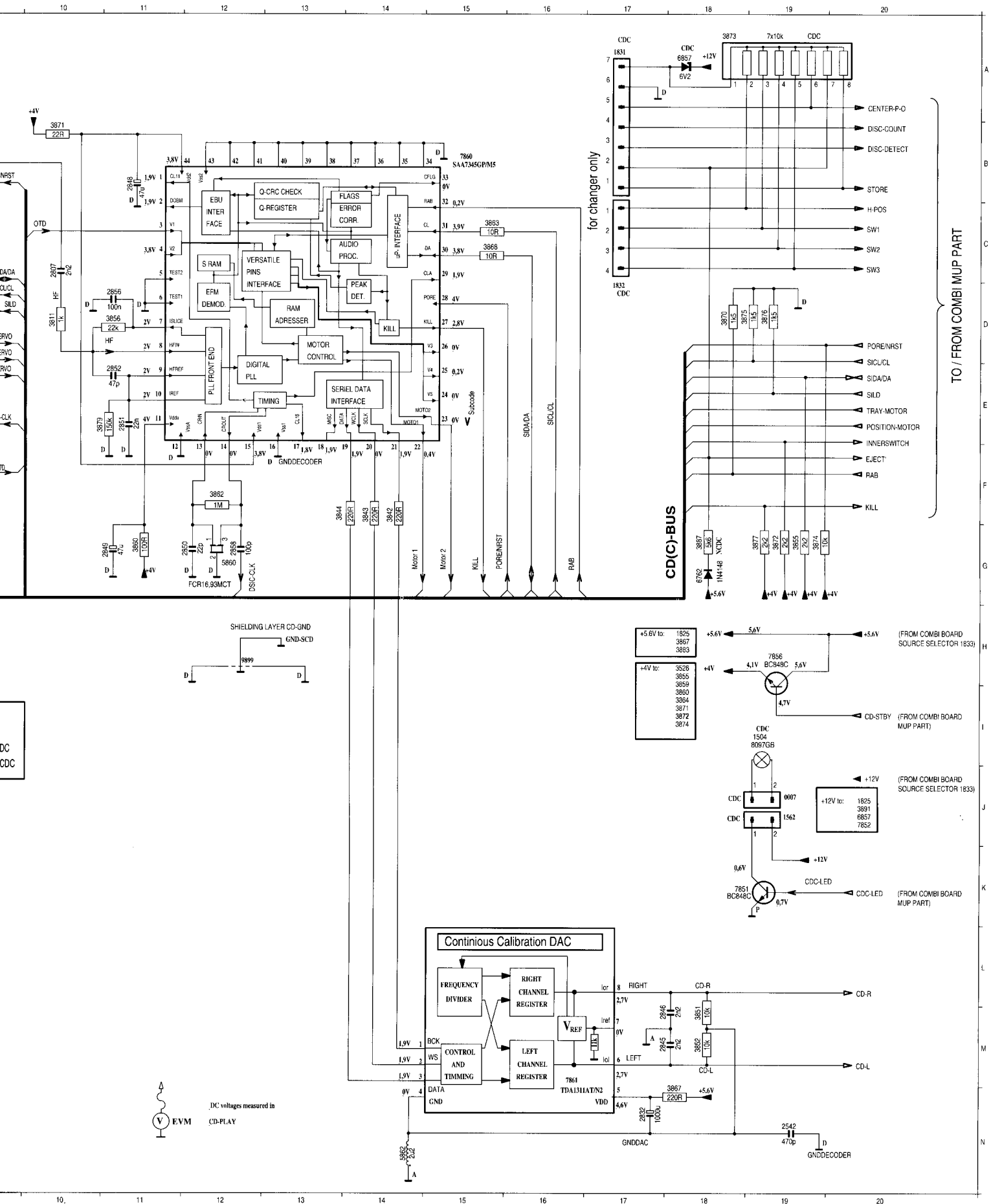
TO / FROM CD(C) MODULE



VERSIONS:
 CD-Changer CDC
 No CD-Changer NCDC



DC voltages me
 CD-PLAY



- TO / FROM COMBI MUP PART
- A 0097 J19
 - 1544 H9
 - 1562 H19
 - 1825 C 1
 - 1828 J 1
 - 1831 A 17
 - 1832 D17
 - 2542 N19
 - 2607 C10
 - 2831 E 3
 - 2832 N17
 - 2833 G 5
 - 2834 F 4
 - 2835 F 4
 - 2836 F 4
 - 2837 F 4
 - 2838 F 5
 - 2839 F 5
 - 2840 K 5
 - 2845 M18
 - 2846 M18
 - 2848 B11
 - 2849 G11
 - 2850 G12
 - 2851 E11
 - 2852 E11
 - 2855 L 5
 - 2856 D11
 - 2858 F15
 - 2859 C 6
 - 3811 D10
 - 3811 C 9
 - 3812 F14
 - 3813 F14
 - 3814 F13
 - 3814 E 3
 - 3816 E 3
 - 3817 E 4
 - 3818 E 4
 - 3819 E 4
 - 3820 M18
 - 3821 M18
 - 3822 G19
 - 3823 G19
 - 3824 C 3
 - 3825 C15
 - 3826 C15
 - 3827 F12
 - 3828 C15
 - 3829 C15
 - 3830 G19
 - 3831 G 6
 - 3832 F12
 - 3833 C15
 - 3834 C 3
 - 3835 G 6
 - 3836 F 9
 - 3837 N18
 - 3838 C15
 - 3839 D 5
 - 3840 D18
 - 3841 D18
 - 3842 G19
 - 3843 A18
 - 3844 G19
 - 3845 D18
 - 3846 D18
 - 3847 E 9
 - 3848 E 9
 - 3849 E10
 - 3850 E10
 - 3851 E10
 - 3852 J 5
 - 3853 J 5
 - 3854 J 5
 - 3855 K 5
 - 3856 K 5
 - 3857 D18
 - 3858 J 6
 - 3859 F 2
 - 3860 F 2
 - 3861 F 2
 - 3862 G 2
 - 3863 G 2
 - 3864 G12
 - 3865 A18
 - 3866 A18
 - 3867 C 3
 - 3868 C 6
 - 3869 H19
 - 3870 H19
 - 3871 M18
 - 3872 J 3
 - 3873 J 3
 - 3874 J 3
 - 3875 J 3
 - 3876 J 3
 - 3877 G19
 - 3878 E 9
 - 3879 E10
 - 3880 E10
 - 3881 E10
 - 3882 J 5
 - 3883 J 5
 - 3884 J 5
 - 3885 K 5
 - 3886 K 5
 - 3887 D18
 - 3888 J 6
 - 3889 F 2
 - 3890 F 2
 - 3891 F 2
 - 3892 G 2
 - 3893 G 2
 - 3894 G12
 - 3895 A18
 - 3896 A18
 - 3897 C 3
 - 3898 C 6
 - 3899 H19
 - 3900 H19
 - 3901 M18
 - 3902 M18
 - 3903 J 3

NRST

OTD

DA/DA

CL/CL

S/D

ERVO

ERVO

RVO

CLK

DC

CDC

SHIELDING LAYER CD-GND

GND-SCD

9899

DC voltages measured in CD-PLAY

EVM

Continuous Calibration DAC

FREQUENCY DIVIDER

CONTROL AND TIMMING

RIGHT CHANNEL REGISTER

LEFT CHANNEL REGISTER

RIGHT

LEFT

CD-R

CD-L

GNDDAC

GNDDECODER

for charger only

CDC

7x10K

CD(C)-BUS

TO / FROM COMBI MUP PART

CD-LED

CD-LED

CD-STBY

(FROM COMBI BOARD SOURCE SELECTOR 1833)

(FROM COMBI BOARD SOURCE SELECTOR 1833)

(FROM COMBI BOARD MUP PART)

(FROM COMBI BOARD MUP PART)

2501 E 2	2586 D 2	2729 A 7	3504 D 4	3551 E 2	3639 C 9	3685 D 9	3729 A 7	3774 E 5	3869 A 4	4525 D 2	4559 E 5	4640 C 6	4674 E 5	4716 C 5	7631 C 9	7783 E 8	T015
2502 D 4	2631 C 9	2730 A 7	3506 E 3	3552 D 2	3640 B 9	3689 D 9	3730 A 7	3778 E 9	3872 B 3	4526 E 5	4561 E 5	4641 C 6	4675 E 5	4718 E 5	7632 B 9	7784 E 9	T016
2513 E 4	2632 B 9	2731 A 7	3508 D 4	3555 E 2	3644 B 9	3692 C 9	3731 A 7	3779 E 9	3874 B 3	4527 E 4	4566 E 4	4642 C 6	4678 D 5	4719 E 5	7633 C 9	7787 E 9	T018
2514 D 4	2633 C 8	2732 A 7	3509 E 1	3556 E 2	3645 C 8	3693 C 7	3732 A 7	3780 E 9	3876 C 3	4529 B 9	4566 B 3	4643 C 6	4681 D 5	4721 C 5	7634 B 9	7788 A 6	T019
2515 D 2	2634 B 8	2737 A 8	3510 D 2	3568 E 2	3647 C 8	3695 C 7	3734 A 8	3782 E 9	3877 B 3	4530 E 6	4568 A 7	4644 C 6	4682 D 5	4723 C 8	7640 C 7	7820 A 4	T020
2516 C 2	2635 C 8	2738 A 8	3512 D 3	3572 E 6	3648 B 9	3701 A 9	3737 A 9	3783 E 9	3878 B 4	4531 D 8	4572 C 6	4645 C 6	4683 D 5	4724 B 8	7650 D 9	7850 B 4	T021
2527 E 2	2636 B 8	2752 E 9	3513 D 2	3574 D 2	3649 C 8	3702 A 9	3743 D 7	3784 E 9	3879 A 3	4533 E 6	4574 C 3	4646 D 6	4687 D 5	4729 C 8	7651 D 9	7851 E 6	T022
2528 E 1	2639 C 7	2760 A 8	3514 C 2	3576 D 3	3650 B 9	3703 A 8	3744 D 7	3787 E 9	3880 A 5	4534 C 8	4577 A 5	4647 D 6	4688 D 5	4801 B 2	7652 D 9	7852 B 2	T023
2531 E 2	2640 B 7	2782 E 9	3515 D 2	3581 C 2	3651 C 9	3704 A 8	3745 D 7	3790 D 7	3881 A 5	4535 D 7	4578 B 7	4648 C 6	4689 D 6	4802 A 3	7653 D 9	7853 B 2	T024
2532 E 2	2643 C 7	2787 E 9	3522 C 2	3582 C 3	3652 B 8	3707 A 8	3746 D 7	3811 A 3	3882 A 5	4536 C 6	4579 D 3	4649 C 6	4690 E 6	4803 A 3	7654 D 9	7854 B 3	T025
2533 D 2	2644 B 7	2794 C 5	3523 D 2	3583 E 1	3657 C 7	3708 A 8	3747 D 8	3842 B 2	3883 A 5	4537 A 5	4592 A 6	4650 C 7	4691 D 5	6551 E 4	7655 D 9	7860 A 2	T026
2534 C 2	2645 C 7	2834 A 4	3524 D 2	3584 E 2	3658 B 7	3709 A 8	3748 D 8	3843 B 2	3884 A 4	4538 B 6	4593 B 6	4651 C 6	4694 C 5	6552 D 4	7656 E 7	7861 B 3	T027
2535 E 3	2646 B 7	2835 A 4	3528 D 3	3585 D 2	3659 C 7	3710 A 8	3749 D 7	3844 A 2	3885 A 5	4540 C 7	4594 C 1	4652 D 6	4696 D 5	6553 E 4	7657 D 7	T001 A 4	T028
2536 E 3	2705 A 8	2836 A 4	3529 D 2	3590 D 2	3661 C 7	3711 A 8	3750 D 7	3849 A 3	4500 E 2	4541 B 6	4595 E 5	4653 D 6	4697 C 5	6554 D 4	7658 E 8	T002 A 3	T029
2538 C 4	2706 A 8	2837 A 4	3530 C 2	3591 E 1	3662 B 7	3712 A 8	3751 E 7	3850 A 3	4502 C 5	4542 B 6	4596 E 4	4658 D 6	4698 C 5	7501 D 2	7659 E 7	T003 A 3	T030
2539 E 5	2707 A 8	2838 A 4	3532 D 3	3592 E 2	3665 C 7	3713 A 8	3752 E 7	3851 B 2	4503 A 9	4543 A 5	4597 E 4	4659 D 6	4699 C 5	7502 D 4	7660 E 8	T004 A 4	T031
2540 D 4	2708 A 8	2839 A 3	3533 E 4	3599 B 2	3666 B 7	3714 A 7	3756 D 7	3852 B 3	4506 C 8	4545 B 1	4599 E 4	4660 D 6	4700 C 5	7503 C 2	7661 D 8	T005 A 3	T032
2553 D 5	2709 A 8	2840 A 5	3534 E 4	3600 E 6	3670 D 9	3716 A 8	3758 B 7	3853 B 2	4510 B 1	4546 B 6	4631 E 5	4661 E 6	4701 C 5	7504 C 2	7662 D 8	T006 A 4	T033
2559 E 3	2710 A 8	2841 A 3	3537 D 4	3605 E 5	3673 D 9	3719 B 8	3760 E 6	3856 A 3	4511 B 8	4547 B 7	4632 C 6	4662 D 5	4702 A 7	7505 E 2	7690 D 6	T007 A 4	T034
2573 C 2	2719 C 8	2850 A 3	3538 D 4	3606 E 4	3674 D 9	3720 B 8	3762 A 5	3859 B 3	4516 A 7	4548 C 2	4633 C 6	4663 D 5	4703 A 5	7506 E 2	7701 C 5	T008 A 4	T035
2574 C 2	2720 B 8	2851 A 3	3539 D 4	3607 D 4	3675 D 8	3721 C 8	3763 A 8	3860 A 3	4517 C 8	4549 B 3	4634 C 6	4664 D 6	4704 B 6	7507 E 3	7710 A 9	T009 A 3	T036
2581 D 2	2721 B 8	2852 A 3	3540 C 4	3608 E 6	3676 D 8	3722 B 8	3764 A 7	3861 A 4	4518 D 8	4550 B 6	4635 C 6	4665 E 6	4705 A 6	7508 C 1	7720 A 8	T010 A 4	T037
2582 C 2	2723 B 7	2857 B 3	3545 C 4	3609 E 6	3677 D 8	3725 B 8	3767 A 6	3862 A 3	4520 D 4	4553 C 1	4636 C 6	4666 D 6	4710 B 5	7509 C 1	7730 B 8	T011 A 4	T038
2583 D 2	2724 B 8	2861 B 2	3547 E 2	3633 C 9	3678 D 8	3726 B 7	3769 A 7	3864 B 3	4521 E 6	4554 C 1	4637 C 6	4667 E 6	4711 B 6	7512 C 4	7740 A 7	T012 A 4	T039
2584 C 2	2725 B 7	3501 E 2	3548 E 2	3634 C 9	3680 D 9	3727 A 7	3771 E 9	3865 B 3	4523 D 8	4557 E 6	4638 C 6	4669 E 6	4712 B 5	7553 B 3	7780 E 9	T013 A 4	T040
2585 D 2	2726 B 7	3502 D 4	3549 D 5	3638 B 9	3683 C 9	3728 A 7	3772 E 8	3867 B 3	4524 C 8	4558 E 6	4639 C 6	4670 E 6	4713 B 5	7630 C 9	7781 E 9	T014 B 3	T041

9

8

7

6

5

4

3

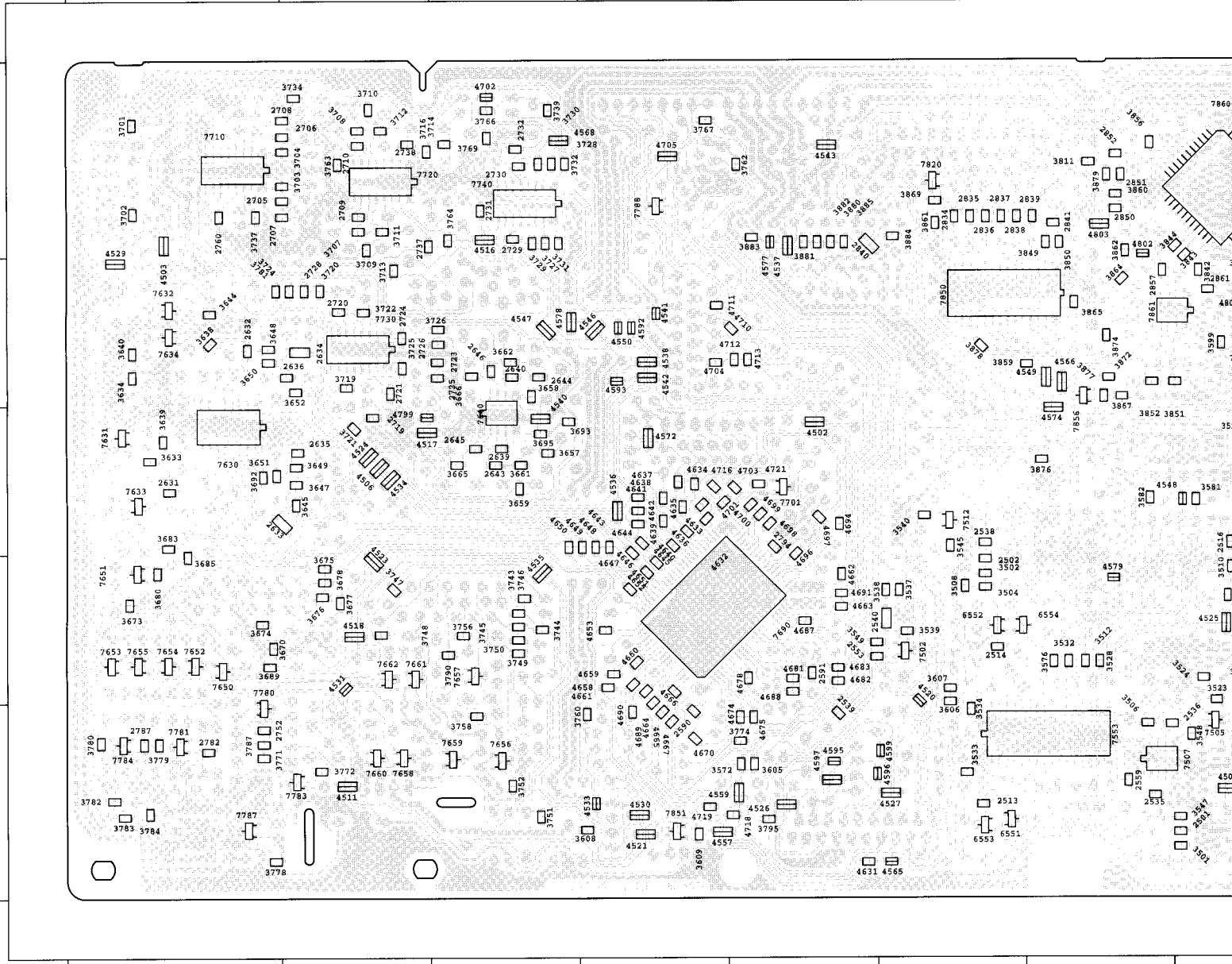
A

B

C

D

E



9

8

7

6

5

4

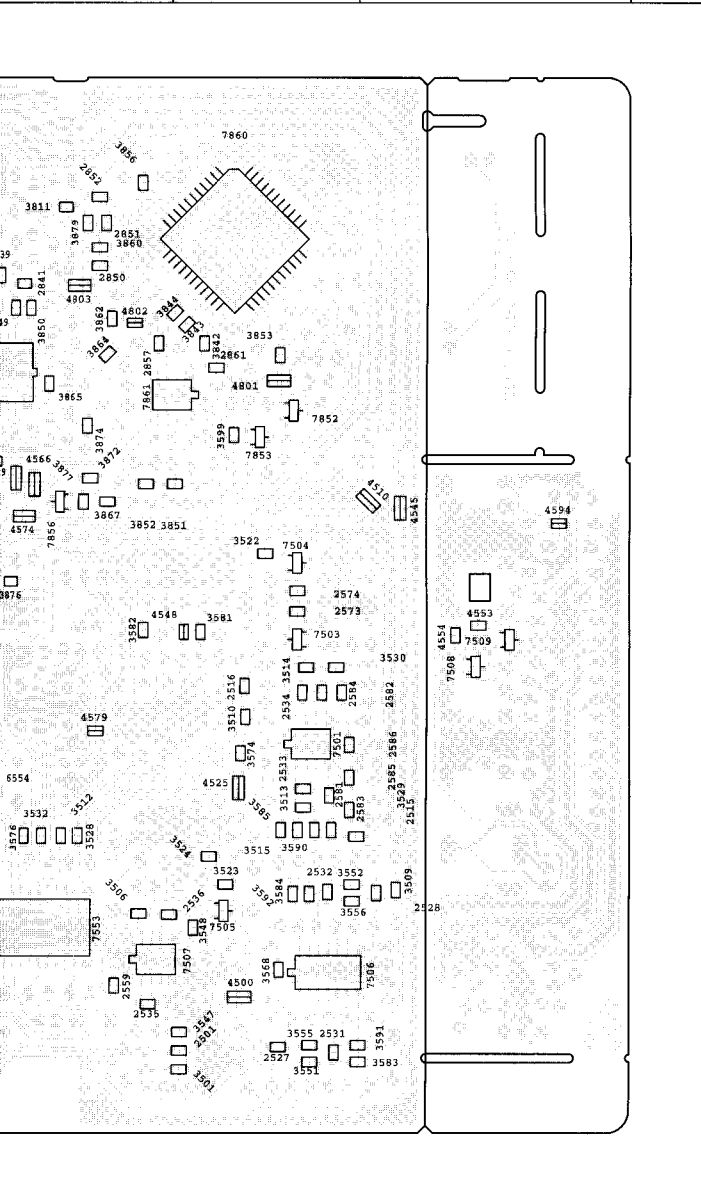
3

5	7631 C 9	7783 E 8	T015 A 5	T042 C 2	T074 C 3	T114 D 8	T143 B 6
5	7632 B 9	7784 E 9	T016 A 5	T043 A 3	T076 C 3	T115 D 8	T144 A 6
5	7633 C 9	7787 E 9	T018 A 3	T045 C 2	T078 A 5	T116 D 9	T145 B 6
5	7634 B 9	7788 A 6	T019 A 4	T046 C 1	T079 C 3	T117 C 9	T146 B 6
8	7640 C 7	7820 A 4	T020 B 2	T047 A 6	T080 D 3	T118 D 9	T147 D 5
8	7650 D 9	7850 B 4	T021 B 2	T048 B 6	T081 C 2	T119 D 9	T148 E 5
8	7651 D 9	7851 E 6	T022 B 2	T049 A 3	T082 C 3	T120 D 9	T149 E 7
2	7652 D 9	7852 B 2	T023 A 2	T050 B 3	T083 E 6	T121 D 9	T161 B 9
3	7653 D 9	7853 B 2	T024 B 5	T051 A 5	T084 B 5	T122 D 9	T162 E 9
3	7654 D 9	7856 B 3	T025 B 5	T052 A 6	T085 E 6	T123 D 9	T163 A 9
4	7655 D 9	7860 A 2	T026 B 4	T053 A 6	T086 E 5	T124 D 9	T164 A 9
4	7656 E 7	7861 B 3	T027 A 4	T054 A 6	T087 E 6	T125 D 7	T165 A 9
4	7657 D 7	T001 A 4	T028 B 3	T055 B 2	T088 E 4	T126 D 7	T166 B 9
4	7658 E 8	T002 A 3	T029 B 2	T056 A 5	T089 E 6	T127 E 7	T167 A 8
2	7659 E 7	T003 A 3	T030 B 2	T057 A 5	T090 E 4	T128 D 7	T168 A 8
4	7660 E 8	T004 A 4	T031 C 6	T059 A 5	T091 E 6	T129 E 7	T169 A 8
2	7661 D 8	T005 A 3	T032 B 3	T061 E 3	T092 E 4	T130 D 7	T170 E 8
2	7662 D 8	T006 A 4	T033 C 6	T062 E 4	T093 E 1	T131 E 7	T171 A 7
2	7690 D 6	T007 A 4	T034 C 5	T063 A 5	T094 E 1	T132 D 8	T172 B 7
2	7701 C 5	T008 A 4	T035 C 5	T064 E 5	T095 C 1	T133 E 7	T173 C 9
3	7710 A 9	T009 A 3	T036 C 5	T065 E 5	T096 C 1	T134 D 8	T174 B 9
1	7720 A 8	T010 A 4	T037 C 5	T066 E 3	T097 D 1	T135 E 8	T175 C 8
1	7730 B 8	T011 A 4	T038 C 6	T067 E 3	T098 D 1	T139 B 6	T176 C 9
2	7740 A 7	T012 A 4	T039 C 6	T068 E 5	T099 E 1	T140 B 6	T177 B 5
3	7780 E 9	T013 A 4	T040 C 6	T072 D 2	T100 E 6	T141 B 6	
9	7781 E 9	T014 B 3	T041 C 6	T073 B 2	T113 D 8	T142 A 5	

3

2

1



A

B

C

D

E

3

2

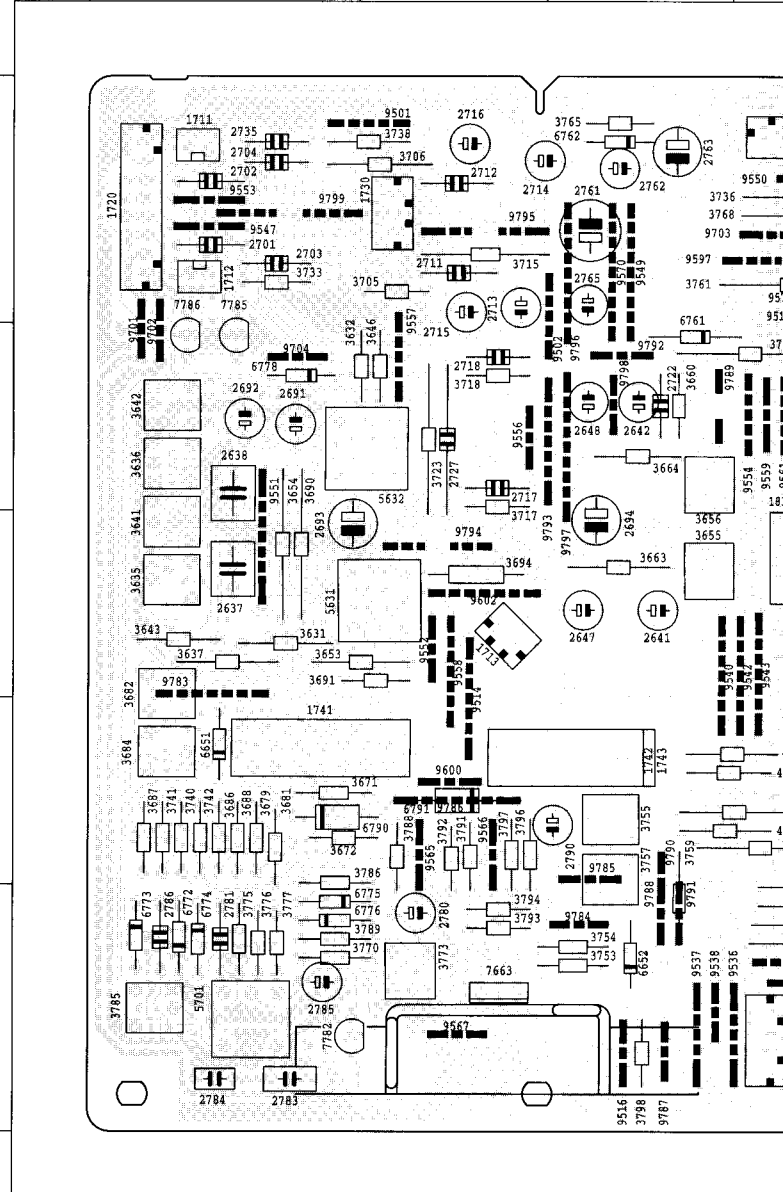
1

9790 E 7	9605 B 4	9571 A 5	9545 C 5	9523 A 3	9501 A 8	5860 A 3	4673 E 6
9791 E 7	9606 C 4	9574 E 2	9547 A 9	9524 A 6	9502 A 7	6651 D 9	4676 E 5
9792 B 7	9607 C 4	9576 A 5	9549 A 7	9525 B 2	9503 B 3	6652 E 7	4677 E 5
9793 B 7	9608 B 4	9577 A 6	9550 A 6	9526 A 5	9504 C 4	6760 A 6	4679 D 5
9794 C 8	9609 B 4	9578 B 5	9551 C 9	9527 A 5	9505 D 3	6772 E 9	4680 D 5
9795 A 8	9610 C 2	9579 A 5	9552 C 8	9528 A 5	9506 B 6	6773 E 9	4684 D 4
9796 A 7	9613 B 5	9581 E 4	9553 A 9	9531 B 5	9507 B 3	6774 E 9	4685 D 4
9797 B 7	9701 B 9	9592 E 3	9554 B 6	9532 E 4	9508 D 2	6775 E 9	4686 D 4
9798 B 7	9702 B 9	9593 E 2	9556 B 8	9533 E 4	9509 D 2	6776 E 9	4692 D 5
9799 A 9	9703 A 6	9594 D 4	9557 B 8	9534 E 6	9511 B 3	6777 A 5	4693 C 4
9895 D 2	9704 B 9	9595 C 5	9558 C 8	9535 E 6	9512 B 3	6778 B 9	4695 B 5
9896 C 2	9705 E 2	9596 B 6	9559 B 6	9536 E 6	9513 A 6	6790 D 9	4707 B 5
9897 B 1	9706 B 3	9597 A 6	9561 B 6	9537 E 7	9514 C 8	6791 D 8	4708 B 5
9898 B 3	9783 C 9	9598 A 5	9562 C 2	9538 E 7	9515 E 4	6792 C 4	4709 B 5
9899 B 4	9784 E 7	9599 D 1	9563 C 5	9539 C 5	9516 E 7	6857 B 6	4720 C 5
	9785 D 7	9600 D 8	9564 E 4	9540 C 7	9517 E 4	7663 B 8	5631 C 8
	9786 D 8	9601 A 3	9565 D 8	9541 D 3	9518 C 3	7782 E 9	5632 B 8
	9787 E 7	9602 C 8	9566 D 8	9542 C 6	9519 C 4	7785 E 9	5701 E 9
	9788 E 7	9603 C 4	9567 B 8	9543 C 6	9520 C 5	7786 B 9	5790 C 5
	9789 B 7	9604 B 4	9570 A 7	9544 C 4	9522 A 3	7862 A 5	5791 D 5

9

8

7



A

B

C

D

E

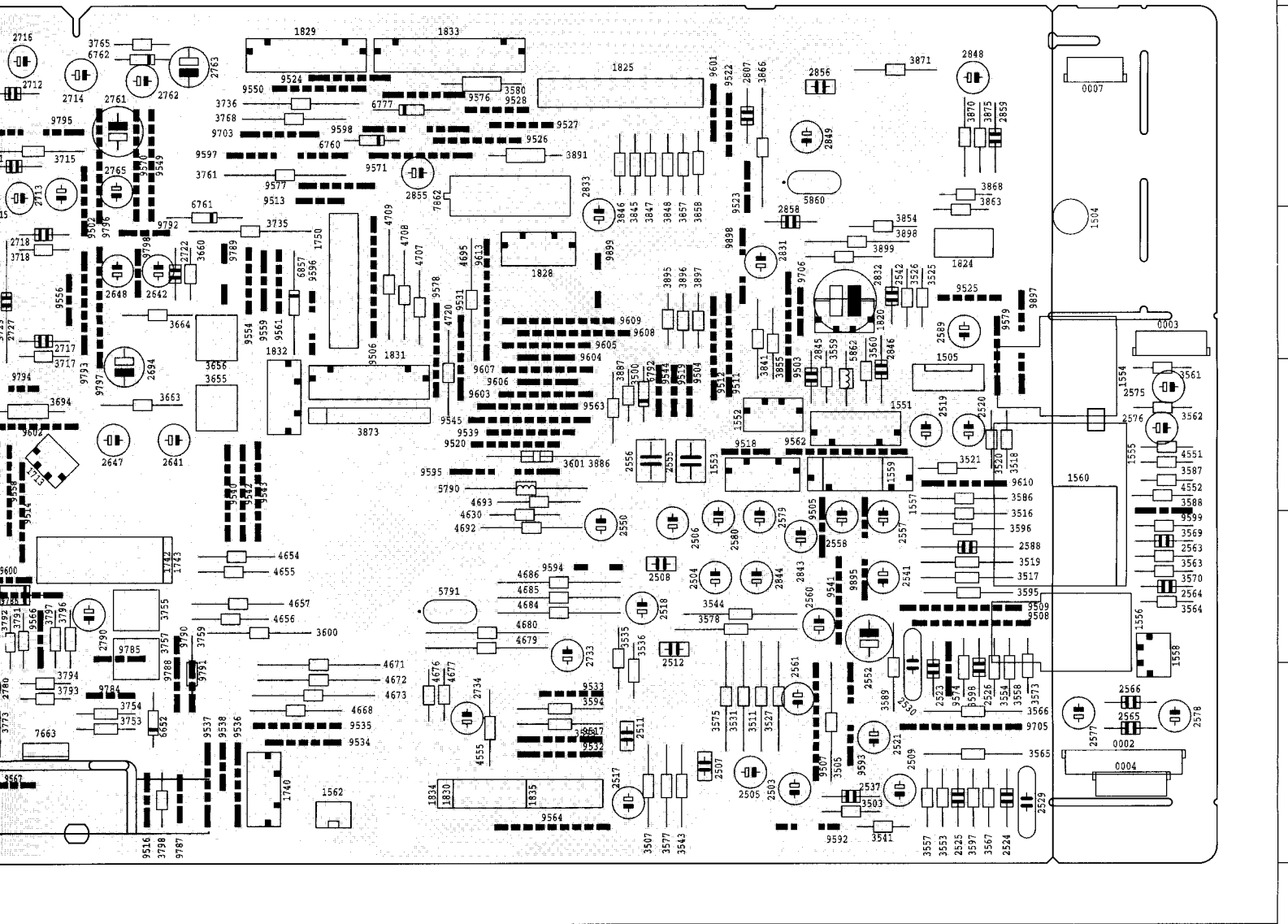
9

8

7

9523 A 3	9501 A 8	5860 A 3	4673 E 6	3875 A 2	3793 E 8	3754 E 7	3687 D 9	3636 B 9	3567 E 2	3526 B 2	2845 C 3	2733 D 4	2648 B 7	2557 D 2	2511 E 4	1740 E 6	0002 E 1
9524 A 6	9502 A 7	6651 D 9	4676 E 5	3886 C 5	3794 E 8	3755 D 7	3688 D 9	3637 C 9	3569 D 1	3527 E 3	2846 C 2	2734 B 5	2691 B 9	2558 D 3	2512 D 4	1741 D 9	0003 B 1
9525 B 2	9503 B 3	6652 E 7	4677 E 5	3887 C 4	3796 D 8	3757 D 7	3690 C 9	3641 C 9	3570 D 1	3531 E 3	2848 A 2	2735 A 9	2692 B 9	2560 D 3	2517 E 4	1743 D 7	0004 E 1
9526 A 5	9504 C 4	6760 A 6	4679 D 6	3891 A 5	3797 D 8	3759 E 7	3691 C 8	3642 B 9	3573 E 1	3535 D 4	2849 A 3	2761 A 7	2693 C 9	2561 E 3	2518 D 4	1750 B 6	0007 A 1
9527 A 5	9505 D 3	6772 E 9	4680 D 5	3895 B 4	3798 E 7	3761 A 6	3694 C 8	3643 C 9	3575 E 3	3536 E 4	2855 A 5	2762 A 7	2694 C 7	2563 D 1	2519 C 2	1820 B 2	1504 B 1
9528 A 5	9506 B 6	6773 E 9	4684 D 4	3896 B 4	3841 B 3	3765 A 7	3705 A 8	3646 B 8	3577 E 4	3541 E 2	2856 A 3	2763 A 7	2701 A 9	2564 D 1	2520 C 2	1824 B 2	1505 C 2
9531 B 5	9507 E 3	6774 E 9	4685 D 4	3897 B 3	3845 A 4	3766 A 7	3706 A 8	3653 C 8	3578 D 3	3543 B 4	2858 B 3	2765 A 7	2702 A 9	2565 E 1	2521 E 2	1825 A 4	1551 C 2
9532 E 4	9508 D 2	6775 E 9	4686 D 4	3898 B 2	3846 A 4	3768 A 6	3715 A 8	3654 C 9	3580 B 1	3544 D 3	2859 A 2	2780 B 8	2703 A 9	2566 E 1	2523 E 2	1828 B 5	1552 C 3
9533 E 4	9509 D 2	6776 E 9	4692 D 5	3899 B 3	3847 A 4	3770 E 9	3717 B 8	3655 C 7	3586 C 2	3553 E 2	3500 C 4	2781 E 9	2704 A 9	2575 C 1	2524 E 1	1829 A 6	1553 C 3
9534 E 6	9511 B 3	6777 A 5	4693 C 4	4551 C 1	3848 A 4	3773 E 8	3718 B 8	3656 B 7	3587 C 1	3554 E 2	3503 E 2	2783 E 9	2711 A 8	2576 C 1	2525 E 2	1831 C 6	1554 C 1
9535 E 6	9512 B 3	6778 B 9	4695 B 5	4552 C 1	3854 B 2	3775 E 9	3723 B 8	3660 B 7	3588 C 1	3557 E 2	3505 E 3	2784 E 9	2712 A 8	2577 E 1	2526 E 2	1832 C 6	1555 C 1
9536 E 6	9513 A 6	6790 D 9	4707 B 5	4555 E 5	3855 B 3	3776 E 9	3724 A 9	3663 C 7	3589 E 2	3558 E 1	3507 E 4	2785 E 9	2713 A 8	2578 E 1	2529 E 1	1833 A 5	1556 D 1
9537 E 7	9514 C 8	6791 D 8	4708 B 5	4630 D 5	3857 A 4	3777 E 9	3733 A 9	3664 B 7	3595 D 2	3559 C 3	3511 E 3	2786 E 9	2714 A 7	2579 D 3	2530 E 2	1834 E 5	1557 C 2
9538 E 7	9515 E 4	6792 C 4	4709 B 5	4654 D 6	3858 A 3	3781 B 9	3735 B 6	3671 D 9	3596 D 2	3560 C 2	3516 D 2	2790 D 7	2715 A 8	2580 D 3	2537 E 2	2503 E 3	1558 D 1
9539 C 5	9516 E 7	6857 B 6	4720 C 5	4655 D 7	3863 B 2	3785 E 9	3736 A 6	3672 D 9	3597 E 2	3561 C 1	3517 D 2	2807 A 3	2716 A 8	2588 D 2	2541 D 2	2504 D 3	1562 E 6
9540 C 7	9517 E 4	7663 E 8	5631 C 8	4656 D 7	3866 A 3	3786 D 9	3738 A 8	3679 D 9	3598 E 2	3562 C 1	3518 C 1	2831 B 3	2717 B 8	2637 C 9	2542 B 2	2505 E 3	1711 A 9
9541 D 3	9518 C 3	7782 E 9	5632 B 8	4657 D 6	3868 A 2	3788 D 8	3740 D 9	3681 D 9	3601 C 5	3563 D 1	3519 D 2	2832 B 2	2718 B 8	2638 B 9	2550 D 4	2506 D 4	1712 A 9
9542 C 6	9519 C 4	7785 B 9	5701 E 9	4668 B 6	3870 A 2	3789 E 9	3741 D 9	3682 C 9	3631 C 9	3564 D 1	3520 C 2	2833 B 4	2722 B 7	2641 C 7	2552 D 2	2507 E 3	1713 C 8
9543 C 6	9520 C 5	7786 B 9	5790 C 5	4671 E 6	3871 A 2	3791 D 8	3742 D 9	3684 D 9	3632 B 8	3565 E 2	3521 C 2	2843 D 3	2727 B 8	2642 B 7	2555 C 4	2508 D 4	1720 A 9
9544 C 4	9522 A 3	7862 A 5	5791 D 5	4672 E 6	3873 C 6	3792 D 8	3753 E 7	3686 D 9	3635 C 9	3566 E 2	3525 B 2	2844 D 3	2728 A 9	2647 C 7	2556 C 4	2509 E 2	1730 A 8

8 7 6 5 4 3 2 1



8 7 6 5 4 3 2 1

A
B
C
D
E

9790 B 7	9605 B 4	9571 A 5	9545 C 5	9523 A 3	9501 A 8	5860 A 3	4673 B 6	3875 A 2	3793 E 8	3754 B 7	3687 D 9	3636 B 9	3567 E 2	3526 B 2	2845 C 3	2733 D
9791 E 7	9606 C 4	9574 E 2	9547 A 9	9524 A 6	9502 A 7	6651 D 9	4676 E 5	3886 C 5	3794 E 8	3755 D 7	3688 D 9	3637 C 9	3569 D 1	3527 B 3	2846 C 2	2734 E
9792 B 7	9607 C 4	9576 A 5	9549 A 7	9525 B 2	9503 B 3	6652 E 7	4677 E 5	3887 C 4	3796 D 8	3757 D 7	3690 C 9	3641 C 9	3570 D 1	3531 E 3	2848 A 2	2735 A
9793 B 7	9608 B 4	9577 A 6	9550 A 6	9526 A 5	9504 C 4	6760 A 6	4679 D 6	3891 A 5	3797 D 8	3759 E 7	3691 C 8	3642 B 9	3573 B 1	3535 D 4	2849 A 3	2761 A
9794 C 8	9609 B 4	9578 B 5	9551 C 9	9527 A 5	9505 D 3	6772 E 9	4680 D 5	3895 B 4	3798 E 7	3761 A 6	3694 C 8	3643 C 9	3575 B 3	3536 E 4	2855 A 5	2762 A
9795 A 8	9610 C 2	9579 A 5	9552 C 8	9528 A 5	9506 B 6	6773 E 9	4684 D 4	3896 B 4	3841 B 3	3765 A 7	3705 A 8	3646 B 8	3577 B 4	3541 E 2	2856 A 3	2763 A
9796 A 7	9613 B 5	9581 E 4	9553 A 9	9531 B 5	9507 E 3	6774 E 9	4685 D 4	3897 B 3	3845 A 4	3766 A 7	3706 A 8	3653 C 8	3578 D 3	3543 E 4	2858 B 3	2765 A
9797 B 7	9701 B 9	9592 E 3	9554 B 6	9532 E 4	9508 D 2	6775 E 9	4686 D 4	3898 B 2	3846 A 4	3768 A 6	3715 A 8	3654 C 9	3580 B 1	3544 D 3	2859 A 2	2780 E
9798 B 7	9702 B 9	9593 E 2	9556 B 8	9533 E 4	9509 D 2	6776 E 9	4692 D 5	3899 B 3	3847 A 4	3770 E 9	3717 B 8	3655 C 7	3586 C 2	3553 E 2	3500 C 4	2781 E
9799 A 9	9703 A 6	9594 D 4	9557 B 8	9534 E 6	9511 B 3	6777 A 5	4693 C 4	4551 C 1	3848 A 4	3773 E 8	3718 B 8	3656 B 7	3587 C 1	3554 E 2	3503 E 2	2783 E
9895 D 2	9704 B 9	9595 C 5	9558 C 8	9535 E 6	9512 B 3	6778 B 9	4695 B 5	4552 C 1	3854 B 2	3775 E 9	3723 B 8	3660 T 7	3588 C 1	3557 E 2	3505 E 3	2784 E
9896 C 2	9705 E 2	9596 B 6	9559 B 6	9536 E 6	9513 A 6	6790 D 9	4707 B 5	4555 B 5	3855 B 3	3776 E 9	3724 A 9	3663 C 7	3589 B 2	3558 E 1	3507 E 4	2785 E
9897 B 1	9706 B 3	9597 A 6	9561 B 6	9537 E 7	9514 C 8	6791 D 8	4708 B 5	4630 D 5	3857 A 4	3777 E 9	3733 A 9	3664 B 7	3595 D 2	3559 C 3	3511 E 3	2786 E
9898 B 3	9783 C 9	9598 A 5	9562 C 2	9538 E 7	9515 E 4	6792 C 4	4709 B 5	4654 D 6	3858 A 3	3781 D 9	3735 B 6	3671 D 9	3596 D 2	3560 C 2	3516 D 2	2790 D
9899 B 4	9784 E 7	9599 D 1	9563 C 5	9539 C 5	9516 E 7	6857 B 6	4720 C 5	4655 D 7	3863 B 2	3785 E 9	3736 A 6	3672 D 9	3597 E 2	3561 C 1	3517 D 2	2807 A
	9785 D 7	9600 D 8	9564 A 4	9540 C 7	9517 E 4	7663 B 8	5631 C 8	4656 D 7	3866 C 3	3786 D 9	3738 A 8	3679 D 9	3598 E 2	3562 C 1	3518 C 1	2811 B
	9786 D 8	9601 C 3	9565 D 8	9541 D 3	9518 C 3	7782 E 9	5632 B 8	4657 D 6	3868 A 2	3788 D 8	3740 D 9	3681 D 9	3601 C 5	3563 D 1	3519 D 2	2832 B
	9787 E 7	9602 C 8	9566 D 8	9542 C 6	9519 C 4	7785 B 9	5701 E 9	4668 B 6	3870 A 2	3789 E 9	3741 D 9	3682 C 9	3631 C 9	3564 D 1	3520 C 2	2833 B
	9788 E 7	9603 C 4	9567 E 8	9543 C 6	9520 C 5	7786 B 9	5790 C 5	4671 B 6	3871 A 2	3791 D 8	3742 D 9	3684 D 9	3632 B 8	3565 E 2	3521 C 2	2843 D
	9789 B 7	9604 B 4	9570 A 7	9544 C 4	9522 A 3	7862 A 5	5791 D 5	4672 E 6	3873 C 6	3792 D 8	3753 B 7	3686 D 9	3635 C 9	3566 E 2	3525 B 2	2844 D

9

8

7

6

5

4

3

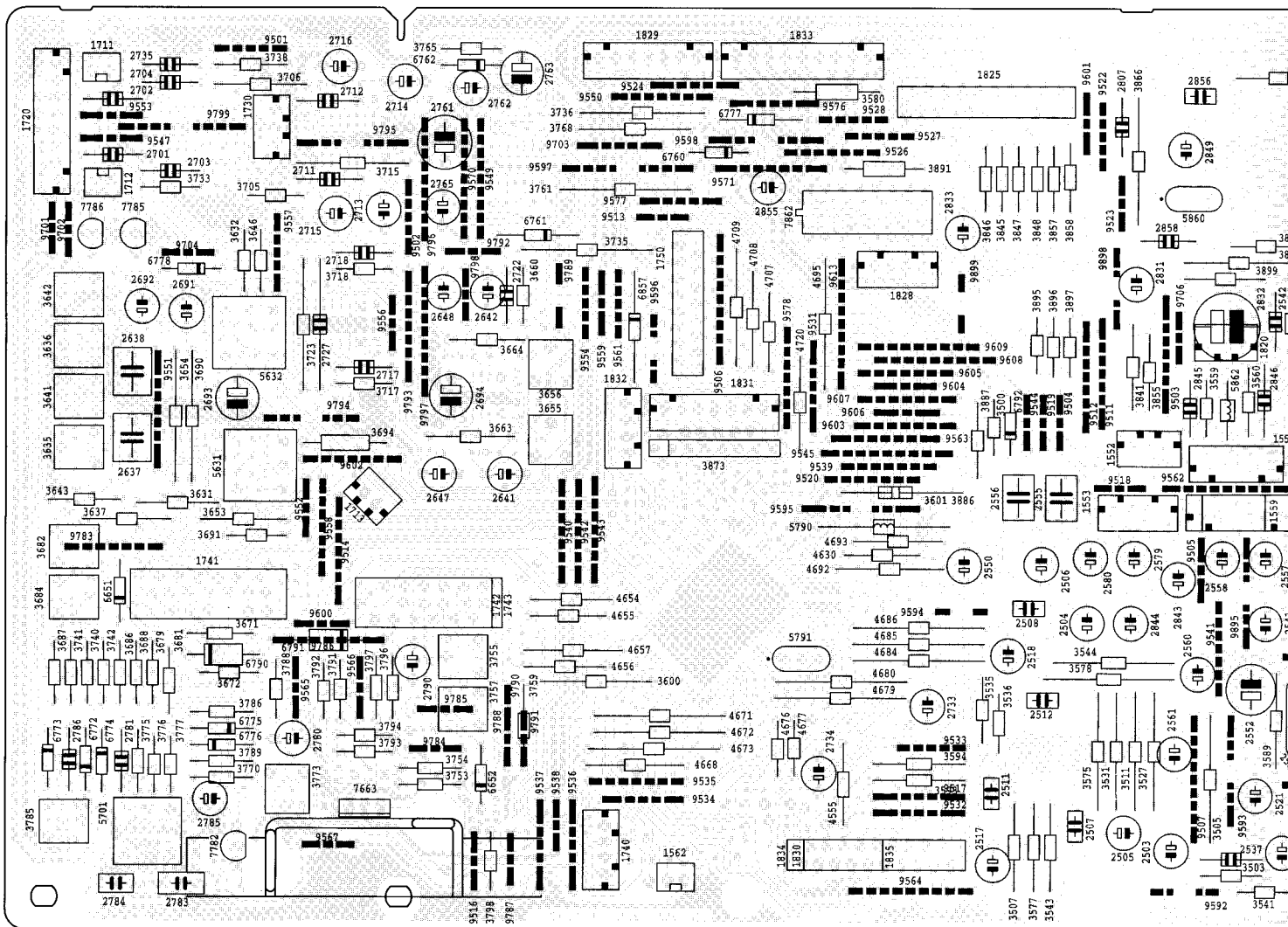
A

B

C

D

E



9

8

7

6

5

4

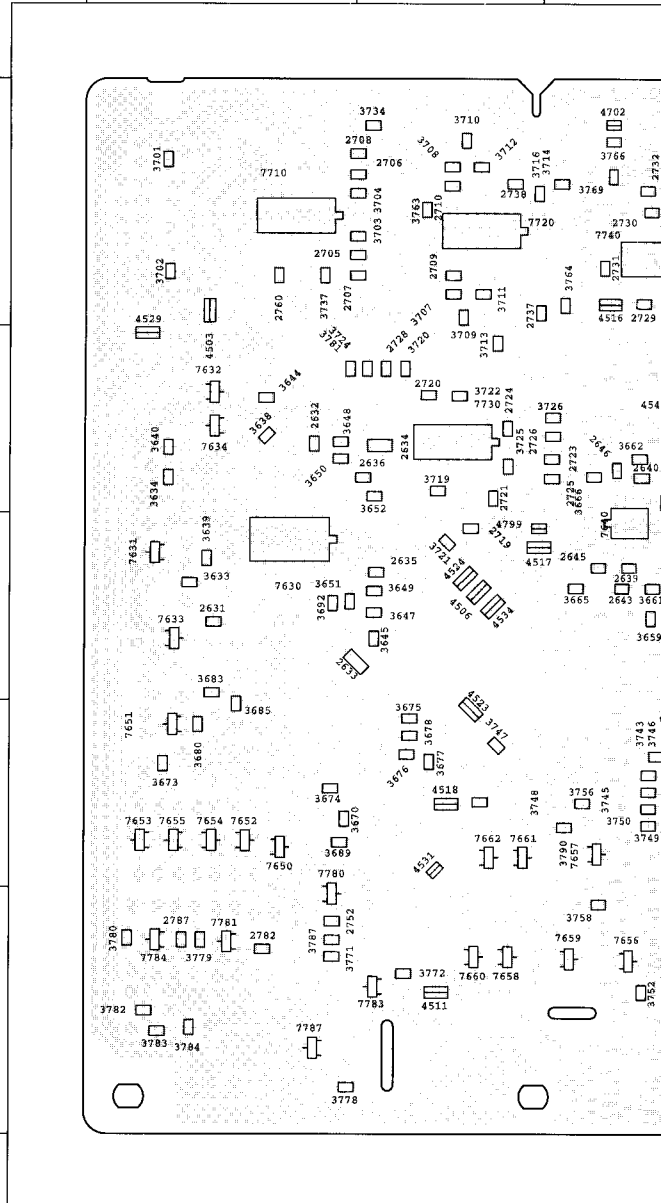
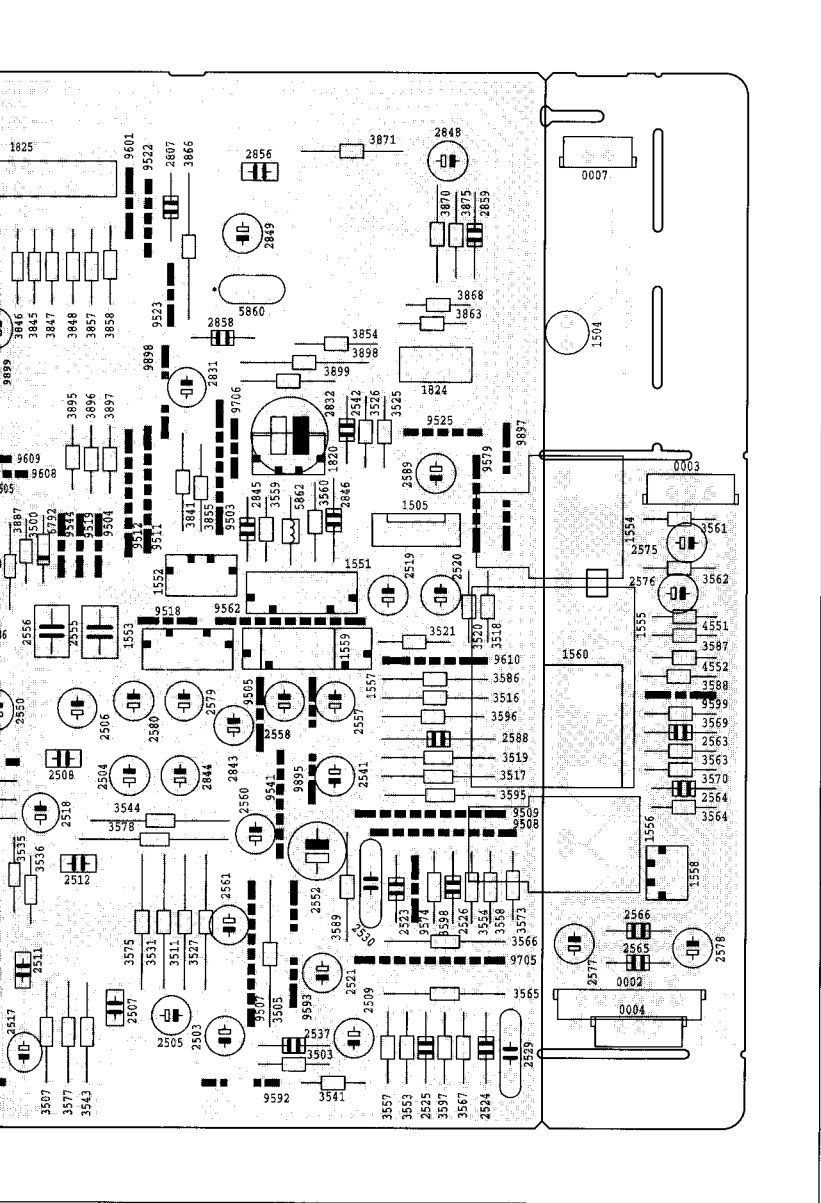
3

B 9	3567 B 2	3526 B 2	2845 C 3	2733 D 4	2648 B 7	2557 D 2	2511 E 4	1740 E 6	0002 E 1
C 9	3569 D 1	3527 B 3	2846 C 2	2734 E 5	2691 B 9	2558 D 3	2512 D 4	1741 D 9	0003 B 1
C 9	3570 D 1	3531 B 3	2848 A 2	2735 A 9	2692 B 9	2560 D 3	2517 E 4	1743 D 7	0004 E 1
C 9	3573 E 1	3535 D 4	2849 A 3	2761 A 7	2693 C 9	2561 E 3	2518 D 4	1750 B 6	0007 A 1
C 9	3575 E 3	3536 E 4	2855 A 5	2762 A 7	2694 C 7	2563 D 1	2519 C 2	1820 B 2	1500 A 1
B 8	3577 E 4	3541 E 2	2856 A 3	2763 A 7	2701 A 9	2564 D 1	2520 C 2	1824 B 2	1505 C 2
C 8	3578 D 3	3543 E 4	2858 B 3	2765 A 7	2702 A 9	2565 E 1	2521 E 2	1825 A 4	1551 C 2
C 9	3580 B 1	3544 D 3	2859 A 2	2780 E 8	2703 A 9	2566 E 1	2523 E 2	1828 B 5	1552 C 3
C 7	3586 C 2	3553 E 2	3500 C 4	2781 E 9	2704 A 9	2575 C 1	2524 E 1	1829 A 6	1553 C 3
B 7	3587 C 1	3554 E 2	3503 E 2	2783 E 9	2711 A 8	2576 C 1	2525 E 2	1831 C 6	1554 C 1
B 7	3588 C 1	3557 E 2	3505 E 3	2784 E 9	2712 A 8	2577 E 1	2526 E 2	1832 C 6	1555 C 1
C 7	3589 B 2	3558 E 1	3507 E 4	2785 E 9	2713 A 8	2578 E 1	2529 E 1	1833 A 5	1556 D 1
B 7	3595 D 2	3559 C 3	3511 E 3	2786 E 9	2714 A 7	2579 D 3	2530 E 2	1834 E 5	1557 C 2
D 9	3596 D 2	3560 C 2	3516 D 2	2790 D 7	2715 A 8	2580 D 3	2537 E 2	2503 E 3	1558 D 1
D 9	3597 E 2	3561 C 1	3517 D 2	2807 A 3	2716 A 8	2588 D 2	2541 D 2	2504 D 3	1562 E 6
D 9	3598 E 2	3562 C 1	3518 C 1	2831 B 3	2717 B 8	2637 C 9	2542 B 2	2505 E 3	1711 A 9
D 9	3601 C 5	3563 D 1	3519 D 2	2832 B 2	2718 B 8	2638 B 9	2550 D 4	2506 D 4	1712 A 9
C 9	3631 C 9	3564 D 1	3520 C 2	2833 B 4	2722 B 7	2641 C 7	2552 D 2	2507 C 3	1713 C 8
D 9	3632 B 8	3565 E 2	3521 C 2	2843 D 3	2727 B 8	2642 B 7	2555 C 4	2508 D 4	1720 A 9
D 9	3635 C 9	3566 E 2	3525 B 2	2844 D 3	2728 A 9	2647 C 7	2556 C 4	2509 E 2	1730 A 8

2501 E 2	2586 D 2	2729 A 7	3504 D 4	3551 E 2	3639 C 9	3685 D 9	3725
2502 D 4	2631 C 9	2730 A 7	3506 E 3	3552 D 2	3640 B 9	3689 D 9	3730
2513 E 4	2632 B 9	2731 A 7	3508 D 4	3555 E 2	3644 B 9	3692 C 9	3733
2514 D 4	2633 C 8	2732 A 7	3509 E 1	3556 E 2	3645 C 8	3693 C 7	3732
2515 D 2	2634 B 8	2737 A 8	3510 D 2	3568 E 2	3647 C 8	3695 C 7	3733
2516 C 2	2635 C 8	2738 A 8	3512 D 3	3572 E 6	3648 B 9	3701 A 9	3730
2527 E 2	2636 B 8	2752 E 9	3513 D 2	3574 D 2	3649 C 8	3702 A 9	3743
2528 E 1	2639 C 7	2760 A 8	3514 C 2	3576 D 3	3650 B 9	3703 A 8	3744
2531 E 2	2640 B 7	2782 E 9	3515 D 2	3581 C 2	3651 C 9	3704 A 8	3745
2532 E 2	2643 C 7	2787 E 9	3522 C 2	3582 C 3	3652 B 8	3707 A 8	3746
2533 D 2	2644 B 7	2794 C 5	3523 D 2	3583 E 1	3657 C 7	3708 A 8	3747
2534 C 2	2645 C 7	2834 A 4	3524 D 2	3584 B 2	3658 B 7	3709 A 8	3748
2535 E 3	2646 B 7	2835 A 4	3528 D 3	3585 D 2	3659 C 7	3710 A 8	3749
2536 E 3	2705 A 8	2836 A 4	3529 D 2	3590 D 2	3661 C 7	3711 A 8	3750
2538 C 4	2706 A 8	2837 A 4	3530 C 2	3591 E 1	3662 B 7	3712 A 8	3751
2539 E 5	2707 A 8	2838 A 4	3532 D 3	3592 E 2	3665 C 7	3713 A 8	3752
2540 D 4	2708 A 8	2839 A 3	3533 B 4	3599 B 2	3666 B 7	3714 A 7	3756
2553 D 5	2709 A 8	2840 A 5	3534 B 4	3600 E 6	3670 D 9	3716 A 8	3758
2559 E 3	2710 A 8	2841 A 3	3537 D 4	3605 E 5	3673 D 9	3719 B 8	3760
2573 C 2	2719 C 8	2850 A 3	3538 D 4	3606 E 4	3674 D 9	3720 B 8	3762
2574 C 2	2720 B 8	2851 A 3	3539 D 4	3607 D 4	3675 D 8	3721 C 8	3763
2581 D 2	2721 B 8	2852 A 3	3540 C 4	3608 E 6	3676 B 8	3722 B 8	3764
2582 C 2	2723 B 7	2857 B 3	3545 C 4	3609 E 6	3677 D 8	3725 B 8	3767
2583 D 2	2724 B 8	2861 E 2	3547 E 2	3633 C 9	3678 D 8	3726 B 7	3769
2584 C 2	2725 B 7	3501 E 2	3548 E 2	3634 B 9	3680 D 9	3727 A 7	3771
2585 D 2	2726 B 7	3502 D 4	3549 D 5	3638 B 9	3683 C 9	3728 A 7	3772

4 3 2 1

9 8 7



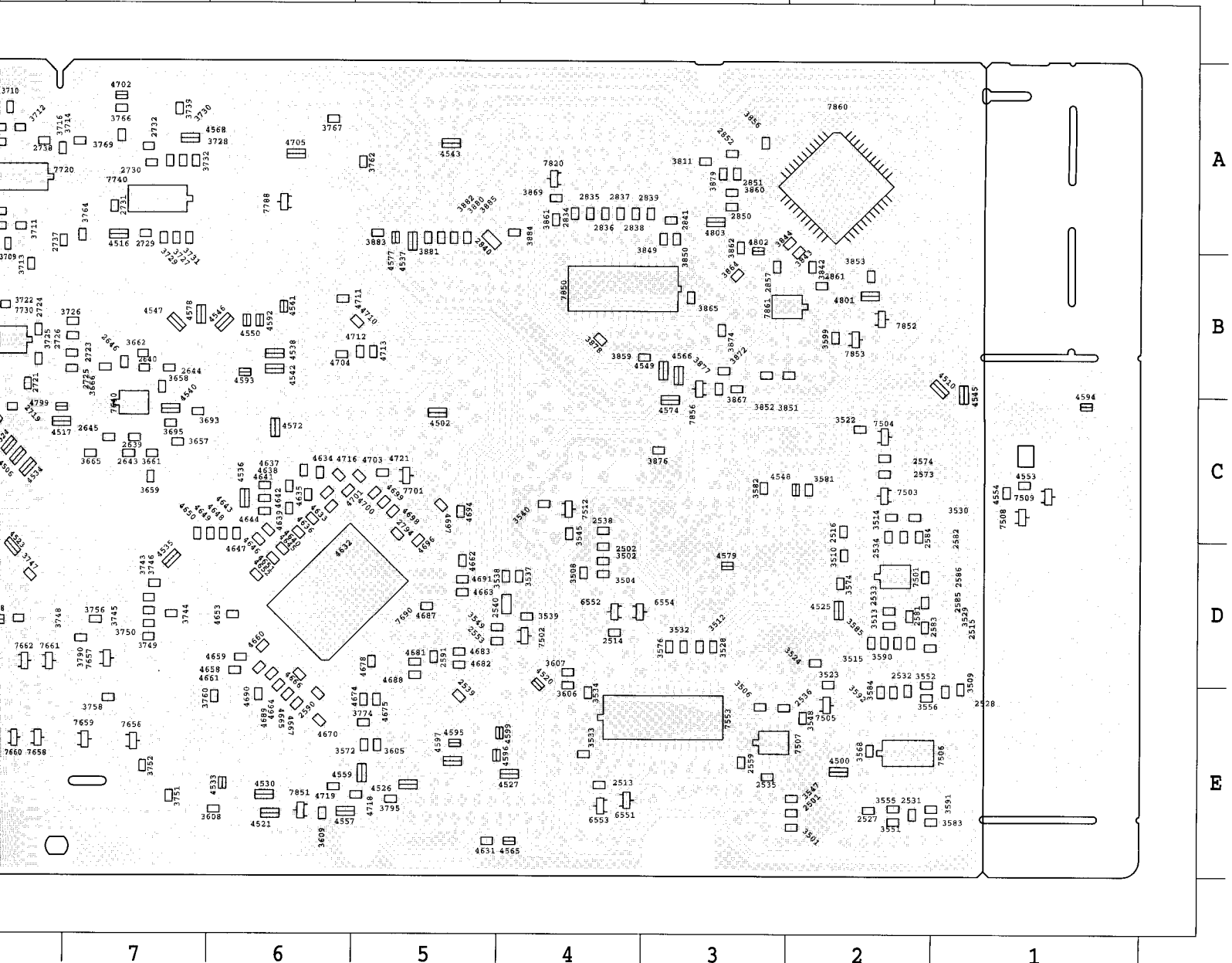
4 3 2 1

9 8 7

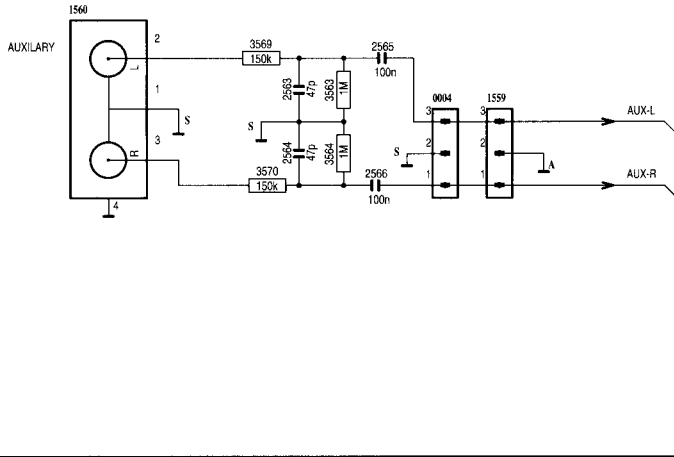
A
B
C
D
E

A
B
C
D
E

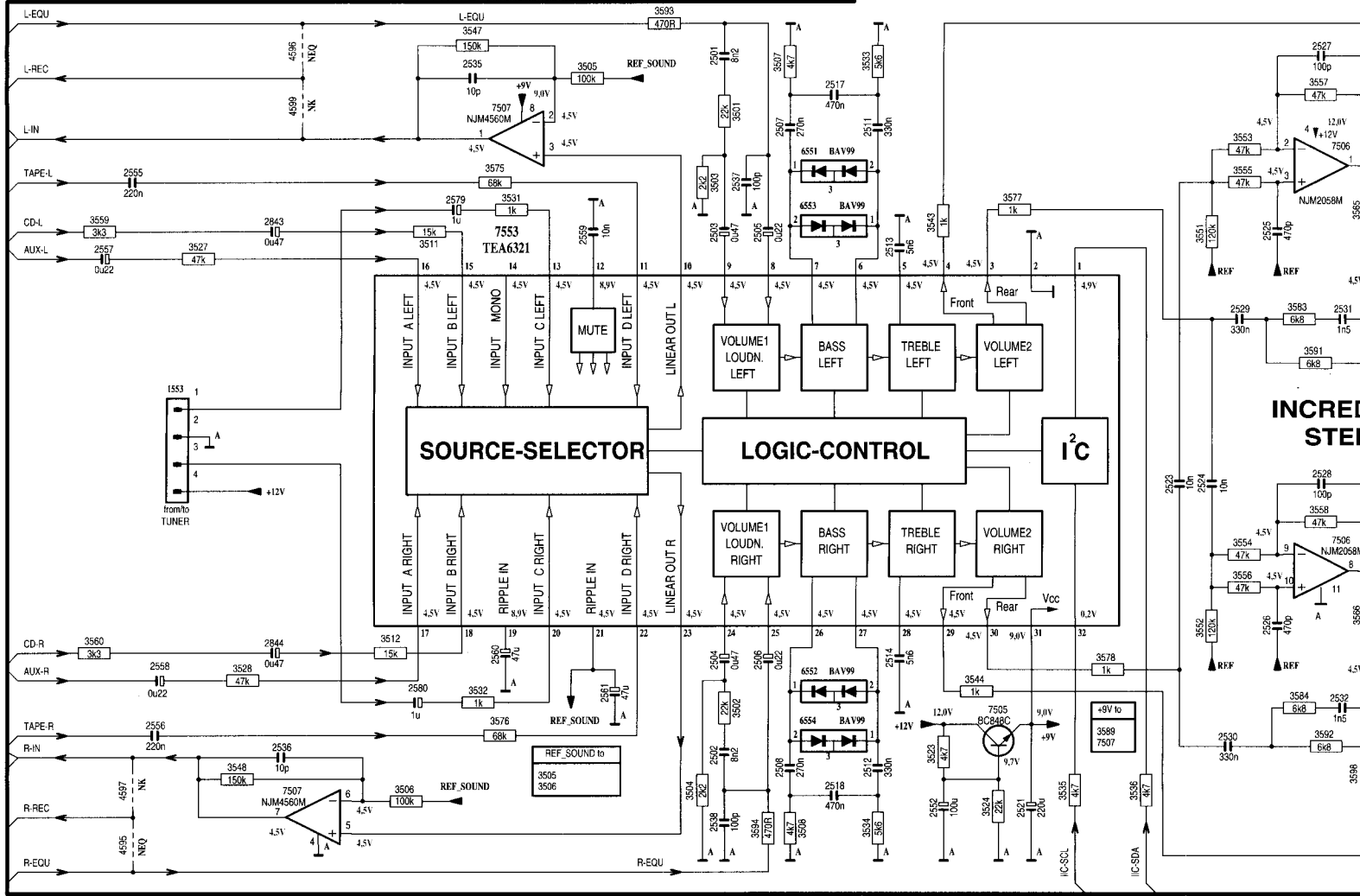
3639 C 9	3685 D 9	3729 A 7	3774 E 5	3869 A 4	4525 D 2	4559 E 5	4640 C 6	4674 E 5	4716 C 5	7631 C 9	7783 E 8	T015 A 5	T042 C 2	T074 C 3	T114 D 8	T143 B 6
3640 B 9	3689 D 9	3730 A 7	3778 E 9	3872 B 3	4526 B 5	4561 E 5	4641 C 6	4675 E 5	4718 E 5	7632 B 9	7784 E 9	T016 A 5	T043 A 3	T076 C 3	T115 D 8	T144 A 6
3644 B 9	3692 C 9	3731 A 7	3779 E 9	3874 B 3	4527 B 4	4566 B 4	4642 C 6	4678 D 5	4719 E 5	7633 C 9	7787 E 9	T018 A 3	T045 C 2	T078 A 5	T116 D 9	T145 B 6
3645 C 8	3693 C 7	3732 A 7	3780 E 9	3876 C 3	4529 B 9	4566 B 4	4643 C 6	4681 D 5	4721 C 5	7634 B 9	7788 A 6	T019 A 4	T046 C 1	T079 C 3	T117 C 9	T146 B 6
3647 C 8	3695 C 7	3734 A 8	3782 E 9	3877 B 3	4530 B 6	4568 A 7	4644 C 6	4682 D 5	4723 C 8	7640 C 7	7820 A 4	T020 B 2	T047 A 6	T080 D 3	T118 D 9	T147 D 5
3648 B 9	3701 A 9	3737 A 9	3783 E 9	3878 B 4	4531 D 8	4572 C 6	4645 C 6	4683 D 5	4724 C 8	7650 D 9	7850 B 4	T021 B 2	T048 B 6	T081 C 2	T119 D 9	T148 E 5
3649 C 8	3702 A 9	3743 D 7	3784 E 9	3879 A 3	4533 B 6	4574 C 3	4646 D 6	4687 D 5	4739 C 8	7651 D 9	7851 E 6	T022 B 2	T049 A 3	T082 C 3	T120 D 9	T149 E 7
3650 B 9	3703 A 8	3744 D 7	3787 E 9	3880 A 5	4534 C 8	4577 A 5	4647 D 6	4688 D 5	4801 B 2	7652 D 9	7852 B 2	T023 A 2	T050 B 3	T083 B 6	T121 D 9	T161 B 9
3651 C 9	3704 A 8	3745 D 7	3790 D 7	3881 A 5	4535 D 7	4578 B 7	4648 C 6	4689 D 6	4802 A 3	7653 D 9	7853 B 2	T024 B 5	T051 A 5	T084 E 5	T122 D 9	T162 E 9
3652 B 8	3707 A 8	3746 D 7	3811 A 3	3882 A 5	4536 C 6	4579 D 3	4649 C 6	4690 E 6	4803 A 3	7654 D 9	7856 B 3	T025 B 5	T052 A 6	T085 E 6	T123 D 9	T163 A 9
3657 C 7	3708 A 8	3747 D 8	3842 B 2	3883 A 5	4537 A 5	4592 A 6	4650 C 7	4691 D 5	4805 E 4	7655 D 9	7860 A 2	T026 B 4	T053 A 6	T086 E 5	T124 D 9	T164 A 9
3658 B 7	3709 A 8	3748 D 8	3843 B 2	3884 A 4	4538 B 6	4593 B 6	4651 C 6	4694 C 5	4806 D 4	7656 E 7	7861 B 3	T027 A 4	T054 A 6	T087 E 6	T125 D 7	T165 A 9
3659 C 7	3710 A 8	3749 D 7	3844 A 2	3885 A 5	4540 C 7	4594 C 1	4652 D 6	4696 D 5	4807 A 4	7657 D 7	T001 A 4	T028 B 3	T055 B 2	T088 E 4	T126 D 7	T166 B 9
3661 C 7	3711 A 8	3750 D 7	3849 A 3	4500 B 2	4541 B 6	4595 E 5	4653 D 6	4697 C 5	4808 D 4	7658 E 8	T002 A 3	T029 B 2	T056 A 5	T089 E 6	T127 E 7	T167 A 8
3662 B 7	3712 A 8	3751 E 7	3850 A 3	4502 C 5	4542 B 6	4596 E 4	4658 D 6	4698 C 5	4809 C 5	7659 E 7	T003 A 3	T030 B 2	T057 A 5	T090 E 4	T128 D 7	T168 A 8
3665 C 7	3713 A 8	3752 E 7	3851 B 2	4503 A 9	4543 A 5	4597 E 5	4659 D 6	4699 C 5	4810 D 4	7660 E 8	T004 A 4	T031 C 6	T059 A 5	T091 E 6	T129 E 7	T169 A 8
3666 B 7	3714 A 7	3756 D 7	3852 B 3	4506 C 8	4545 B 1	4599 E 4	4660 D 6	4700 C 5	4811 C 5	7661 D 8	T005 A 3	T032 B 3	T061 E 3	T092 A 4	T130 D 7	T170 E 8
3670 D 9	3716 A 8	3758 E 7	3853 B 2	4510 B 1	4546 B 6	4631 E 5	4661 E 6	4701 C 5	4812 C 2	7662 D 8	T006 A 4	T033 C 6	T062 A 4	T093 E 1	T131 E 7	T171 A 7
3673 D 9	3719 B 8	3760 E 6	3856 A 3	4511 E 8	4547 B 7	4632 C 6	4662 D 5	4702 A 7	4813 D 2	7690 D 6	T007 A 4	T034 C 5	T063 A 5	T094 E 1	T132 D 8	T172 B 7
3674 D 9	3720 B 8	3762 A 5	3859 B 3	4516 A 7	4548 C 2	4633 C 6	4663 D 6	4703 C 5	4814 C 5	7701 C 5	T008 A 4	T035 C 5	T064 E 5	T095 C 1	T133 E 7	T173 C 9
3675 D 8	3721 C 8	3763 A 8	3860 A 3	4517 C 8	4549 B 3	4634 C 6	4664 D 6	4704 B 6	4815 E 3	7710 A 9	T009 A 3	T036 C 5	T065 E 5	T096 C 1	T134 D 8	T174 B 9
3676 D 8	3722 B 8	3764 A 7	3861 A 4	4518 D 8	4550 B 6	4635 C 6	4665 E 6	4705 A 6	4816 C 1	7720 A 8	T010 A 4	T037 C 5	T066 E 3	T097 D 1	T135 E 8	T175 C 8
3677 D 8	3725 B 8	3767 A 6	3862 A 3	4520 D 4	4553 C 1	4636 C 6	4666 D 6	4710 B 5	4817 C 1	7730 B 8	T011 A 4	T038 C 6	T067 E 3	T098 D 1	T139 B 6	T176 C 9
3678 D 8	3726 B 7	3769 A 7	3864 A 3	4521 B 6	4554 C 1	4637 C 6	4667 E 6	4711 B 6	4818 C 4	7740 A 4	T012 A 4	T039 C 6	T068 E 5	T099 E 1	T140 B 6	T177 B 5
3680 D 9	3727 A 7	3771 E 9	3865 B 3	4523 D 8	4557 B 6	4638 C 6	4669 E 6	4712 B 5	4819 C 3	7780 B 9	T013 A 4	T040 C 6	T072 D 2	T100 E 6	T141 B 6	
3683 C 9	3728 A 7	3772 E 8	3867 B 3	4524 C 8	4558 E 6	4639 C 6	4670 E 6	4713 B 5	7630 C 9	7781 E 9	T014 B 3	T041 C 6	T073 B 2	T113 D 8	T142 A 5	



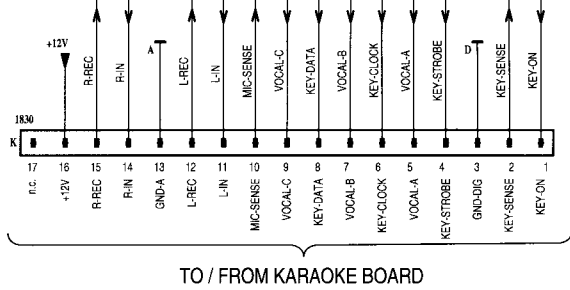
COMBI AF-PART



VERSIONS:	
Karaoke	K
No Karaoke	NK
No Equalizer	NEQ

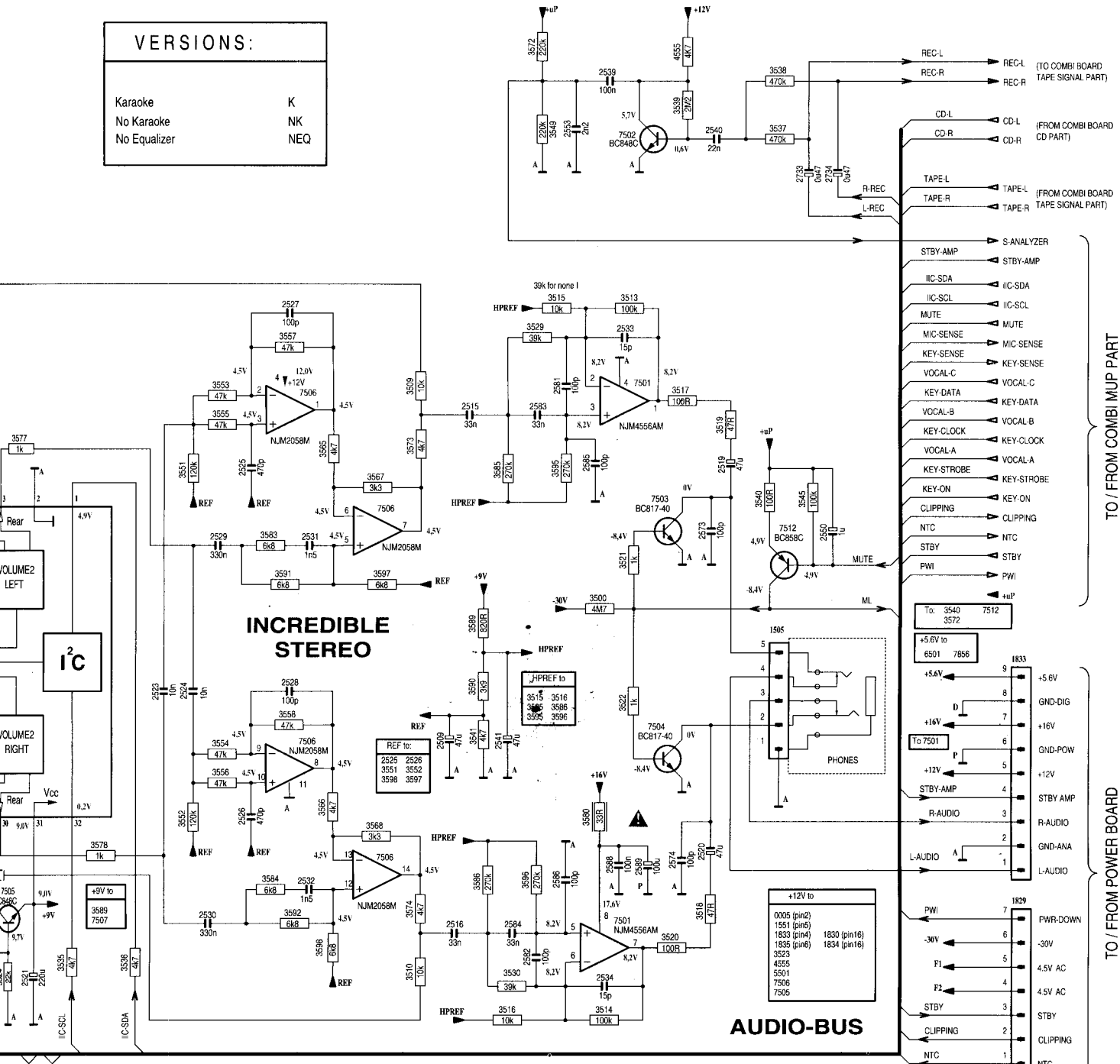


INCRD STER



TO / FROM KARAOKE BOARD

VERSIONS:	
Karaoke	K
No Karaoke	NK
No Equalizer	NEQ



- A 0002 A 7
- 0004 A 6
- 1505 H17
- 1553 H 2
- 1830 A 7
- 1960 A 3
- 1829 K20
- 1833 M 6
- 1833 H20
- 2501 E 7
- 2502 K 7
- 2503 F 7
- 2504 J 7
- 2505 F 7
- 2506 J 7
- 2507 E 7
- 2508 K 7
- 2509 I14
- 2511 E 8
- 2512 F 8
- 2514 J 8
- 2515 F14
- 2516 K14
- 2517 E 8
- 2518 K 8
- 2519 F17
- 2520 J 7
- 2521 L10
- 2523 I11
- 2524 I11
- 2525 F12
- 2526 J12
- 2527 E12
- 2528 I12
- 2529 G12
- 2530 K11
- 2531 G12
- 2532 K12
- 2533 K 8
- 2534 L16
- 2535 E 5
- 2536 K 3
- 2537 F 7
- 2538 L 7
- 2539 B16
- 2540 C17
- 2541 I14
- 2550 G18
- 2552 L 9
- 2553 C15
- 2555 F 1
- 2556 K 2
- 2557 F 1
- 2558 J 2
- 2559 F 6
- 2560 J 5
- 2561 J 6
- 2563 A 4
- 2564 B 4
- 2565 A 5
- 2566 B 5
- 2573 G17
- 2574 J16
- 2579 F 4
- 2580 J 4
- 2581 E15
- 2582 K15
- 2583 F15
- 2584 K15
- 2586 K15
- 2588 J16
- 2589 J16
- 2733 C18
- 2734 C18
- 2843 F 3
- 2844 J 3
- 3000 H15
- 3001 E 7
- 3002 K 7
- 3003 F 7
- 3004 K 7
- 3005 E 6
- 3006 K 4
- 3007 E 7
- 3008 L 8
- 3009 E14
- 3010 K14
- 3011 F 4
- 3012 J 4
- 3013 E16
- 3014 L16
- 3015 E15
- 3016 L15
- 3017 E16
- 3018 K17
- 3019 F17
- 3020 K16
- 3021 F16
- 3022 I16
- 3023 K 9
- 3024 L 9
- 3025 F 2
- 3028 J 2
- 3029 E15
- 3030 L15
- 3031 F 15
- 3032 J 5
- 3033 E 8
- 3034 L 8
- 3035 K10
- 3036 K10
- 3037 C17
- 3038 E17
- 3039 C16
- 3040 G17
- 3041 I14
- 3043 F 9
- 3044 J 9
- 3045 G18
- 3047 D 5
- 3048 K 2
- 3049 C15
- 3051 F11
- 3052 J11
- 3053 E12
- 3054 I12
- 3055 F12
- 3056 I12
- 3057 E12
- 3058 I12
- 3059 F 1
- 3060 J 1
- 3063 A 5
- 3064 B 5
- 3065 F13
- 3066 J13
- 3067 F13
- 3068 J13
- 3069 A 4
- 3070 B 4
- 3072 B15
- 3073 F14
- 3074 K14
- 3075 F 5
- 3076 K 5
- 3077 F 6
- 3078 J10
- 3080 J15
- B REC-L
- B REC-R
- C CD-L
- C CD-R
- C TAPE-L
- C TAPE-R
- D S-ANALYZER
- D STBY-AMP
- D IIC-SDA
- D IIC-SCL
- D MUTE
- D MIC-SENSE
- D KEY-SENSE
- D VOCAL-C
- D KEY-SENSE
- D VOCAL-B
- D KEY-CLOCK
- D VOCAL-A
- D KEY-STROBE
- D KEY-ON
- D CLIPPING
- D NTC
- D STBY
- D PWI
- D MUTE
- D ML
- D PHONES
- D +5.6V to 6501 7866
- D +5.6V
- D +16V
- D +12V
- D STBY-AMP
- D R-AUDIO
- D L-AUDIO
- D +12V to 0005 (pin2) 1551 (pin5) 1833 (pin4) 1835 (pin6) 1834 (pin16)
- D -30V
- D F1
- D F2
- D STBY
- D CLIPPING
- D NTC
- M 3569 A 4
- 3570 B 4
- 3572 B15
- 3573 F14
- 3574 K14
- 3575 F 5
- 3576 K 5
- 3577 F 6
- 3578 J10
- 3580 J15
- N 3589 A 7
- 3590 A 6
- 3592 B15
- 3593 F14
- 3594 K14
- 3595 A 3
- 3596 F 5
- 3597 K 5
- 3598 M 6
- 3599 J10
- 3600 J15
- 3602 K 7
- 3603 F 7
- 3604 J 7
- 3605 F14
- 3606 G12
- 3607 F12
- 3608 K12
- 3609 I14
- 3610 E 8
- 3611 F 8
- 3612 J 8
- 3613 K8
- 3614 J 8
- 3615 F14
- 3616 K14
- 3617 E 8
- 3618 K 8
- 3619 F17
- 3620 J16
- 3621 F16
- 3622 I16
- 3623 K 9
- 3624 L 9
- 3625 F 2
- 3628 J 2
- 3629 E15
- 3630 L15
- 3631 F 15
- 3632 J 5
- 3633 E 8
- 3634 L 8
- 3635 K10
- 3636 K10
- 3637 C17
- 3638 E17
- 3639 C16
- 3640 G17
- 3641 I14
- 3643 F 9
- 3644 J 9
- 3645 G18
- 3647 D 5
- 3648 K 2
- 3649 C15
- 3651 F11
- 3652 J11
- 3653 E12
- 3654 I12
- 3655 F12
- 3656 I12
- 3657 E12
- 3658 I12
- 3659 F 1
- 3660 J 1
- 3663 A 5
- 3664 B 5
- 3665 F13
- 3666 J13
- 3667 F13
- 3668 J13
- 3669 A 4
- 3670 B 4
- 3672 B15
- 3673 F14
- 3674 K14
- 3675 F 5
- 3676 K 5
- 3677 F 6
- 3678 J10
- 3680 J15

RTV servis Horvat
 Kešinci, 31402 Semeljci
 031-856-139
 031-856-637
 098-788-319
 rtv-servis-horvat@os.tel.hr
 Croatia

ELECTRICAL PARTSLIST COMBI BOARD

ELECTRICAL PARTSLIST

MISCELLANEOUS

1560 4822 265 20553 CHINCH SOCKET

DIODES

6651 4822 130 30621 1N4148
 6760 4822 130 34382 BZX79-C8V2
 6761 4822 130 30621 1N4148
 6762 4822 130 30621 1N4148
 6772 4822 130 30621 1N4148
 6773 4822 130 30621 1N4148
 6774 4822 130 30621 1N4148
 6775 4822 130 30621 1N4148
 6776 4822 130 30621 1N4148
 6777 4822 130 34382 BZX79-C8V2

6778 4822 130 30621 1N4148
 6790 5322 130 30684 1N4002
 6791 5322 130 30684 1N4002
 6792 4822 130 30621 1N4148
 6857 4822 130 30621 1N4148

TRANSISTORS

5322 130 60068 BC558C
 7502 5322 130 42136 BC848C(CHIP)
 7503 4822 130 42615 BC817-40(CHIP)
 7504 4822 130 42615 BC817-40(CHIP)
 7505 5322 130 42136 BC848C(CHIP)
 7506 5322 130 42136 BC848C(CHIP)
 7507 5322 130 42136 BC848C(CHIP)
 7512 4822 130 42513 BC858C
 7631 5322 130 42136 BC848C(CHIP)
 7632 5322 130 42136 BC848C(CHIP)
 7633 5322 130 42136 BC848C(CHIP)
 7634 5322 130 42136 BC848C(CHIP)
 7640 5322 130 42136 BC848C(CHIP)
 7650 5322 130 42136 BC848C(CHIP)
 7651 4822 130 42513 BC858C
 7652 5322 130 42136 BC848C(CHIP)
 7653 5322 130 60123 BC807-40 (CHIP)
 7654 5322 130 42136 BC848C(CHIP)
 7655 5322 130 60123 BC807-40 (CHIP)
 7661 5322 130 60123 BC807-40 (CHIP)
 7662 5322 130 42136 BC848C(CHIP)
 7663 4822 130 40982 BD433
 7001 4822 130 40982 BD433
 7690 4822 130 40982 BD433
 7701 5322 130 42136 BC848C(CHIP)
 7780 5322 130 42136 BC848C(CHIP)
 7781 5322 130 42136 BC848C(CHIP)
 7782 4822 130 41715 BC328-40
 7783 5322 130 42136 BC848C(CHIP)
 7784 4822 130 60373 BC856B
 7785 4822 130 63494 J111
 7786 4822 130 63494 J111
 7787 4822 130 42513 BC858C
 7788 4822 130 42513 BC858C
 7820 4822 130 42615 BC817-40(CHIP)
 7851 5322 130 42136 BC848C(CHIP)
 7856 5322 130 42136 BC848C(CHIP)

INTEGRATED CIRCUITS

7501 4822 209 31378 NJM4556M
 7553 4822 209 33652 TEA6321T/V1
 7630 4822 209 90406 CXA1101M
 7710 4822 209 32919 HEF4952BT
 7720 4822 209 32918 AN7318S
 7730 4822 209 32919 HEF4952BT
 7740 4822 209 32919 HEF4952BT
 7850 4822 209 31064 TDA1301T/N1
 7860 4822 209 90618 SAA7345GP/S5
 7861 4822 209 90618 SAA7345GP/S5
 7862 4822 209 32852 TDA7073A/N2

COILS

5631 4822 156 21725 MPX FILTER
 5632 4822 156 21725 MPX FILTER
 5701 4822 156 20946 OSC.COIL 100kHz
 5790 4822 156 21721 COIL 2,2μH
 5791 5322 242 73697 CERAM.RES. 8MHz
 5860 4822 242 81865 CER.RES. 16.93MHz
 5862 4822 156 21721 COIL 2,2μH
 6551 4822 156 21721 COIL 2,2μH
 6552 4822 156 21721 COIL 2,2μH
 6553 4822 156 21721 COIL 2,2μH
 6554 4822 156 21721 COIL 2,2μH

RESISTORS

3500 4822 111 30893 4M7 5% 0,2W
 3503 4822 116 52256 2k2 5% 0,16W
 3505 4822 116 52234 100k 5% 0,5W
 3507 4822 116 52283 4k7 5% 0,5W
 3511 4822 116 52244 15k 5% 0,5W
 3516 4822 116 83864 10k 5% 0,5W
 3517 4822 116 52175 100R 5% 0,5W
 3518 4822 116 52195 47R 5% 0,5W
 3519 4822 116 52195 47R 5% 0,5W
 3520 4822 116 52175 100R 5% 0,5W
 3521 4822 050 11002 1k 5% 0,2W
 3527 4822 116 52284 47k 5% 0,5W
 3531 4822 050 11002 1k 5% 0,2W
 3535 4822 116 52283 4k7 5% 0,5W
 3536 4822 116 52283 4k7 5% 0,5W
 3541 4822 116 52283 4k7 5% 0,5W
 3543 4822 050 11002 1k 5% 0,2W
 3544 4822 050 11002 1k 5% 0,2W
 3553 4822 116 52284 47k 5% 0,5W
 3554 4822 116 52284 47k 5% 0,5W
 3557 4822 116 52284 47k 5% 0,5W
 3558 4822 116 52284 47k 5% 0,5W
 3559 4822 116 52269 3k3 5% 0,5W
 3560 4822 116 52269 3k3 5% 0,5W
 3563 4822 116 52235 1M 5% 0,5W
 3564 4822 116 52235 1M 5% 0,5W
 3565 4822 116 52283 4k7 5% 0,5W
 3566 4822 116 52283 4k7 5% 0,5W
 3567 4822 116 52269 3k3 5% 0,5W
 3569 4822 116 52245 150k 5% 0,16W
 3570 4822 116 52245 150k 5% 0,16W
 3573 4822 116 52283 4k7 5% 0,5W
 3575 4822 116 52297 68k 5% 0,5W
 3577 4822 050 11002 1k 5% 0,2W
 3578 4822 050 11002 1k 5% 0,2W

RESISTORS

3580 4822 052
 3586 4822 116
 3589 4822 116
 3593 4822 116
 3594 4822 116
 3595 4822 116
 3596 4822 116
 3597 4822 116
 3598 4822 116
 3600 4822 116
 3601 4822 116
 3631 4822 116
 3632 4822 116
 3635 4822 100
 3636 4822 100
 3637 4822 116
 3641 4822 100
 3642 4822 100
 3643 4822 116
 3646 4822 116
 3653 4822 050
 3654 4822 050
 3655 4822 100
 3656 4822 100
 3660 4822 116
 3663 4822 116
 3664 4822 116
 3671 4822 050
 3672 4822 116
 3679 4822 116
 3681 4822 116
 3682 4822 100
 3684 4822 100
 3686 4822 116
 3687 4822 050
 3688 4822 116
 3690 4822 116
 3691 4822 116
 3694 4822 052
 3705 4822 116
 3706 4822 116
 3715 4822 116
 3717 4822 116
 3718 4822 116
 3723 4822 116
 3733 4822 116
 3735 4822 116
 3736 4822 116
 3738 4822 116
 3740 4822 116
 3741 4822 050
 3742 4822 116
 3759 4822 050
 3761 4822 116
 3765 4822 116
 3770 4822 116
 3773 4822 100
 3775 4822 116
 3776 4822 116
 3777 4822 116

ELECTRICAL PARTSLIST COMBI BOARD

RESISTORS

3580	4822 052 10339	33R	5%	NFR
3586	4822 116 83878	270k	5%	0,5W
3589	4822 116 52231	820R	5%	0,5W
3593	4822 116 52224	470R	5%	0,5W
3594	4822 116 52224	470R	5%	0,5W
3595	4822 116 83878	270k	5%	0,5W
3596	4822 116 83878	270k	5%	0,5W
3597	4822 116 52296	6k8	5%	0,5W
3598	4822 116 52296	6k8	5%	0,5W
3600	4822 116 52284	47k	5%	0,5W
3601	4822 116 52235	1M	5%	0,5W
3631	4822 116 52239	120k	5%	0,5W
3632	4822 116 52239	120k	5%	0,5W
3635	4822 100 20166	10k		TRIMPOT.
3636	4822 100 20166	10k		TRIMPOT.
3637	4822 116 52284	47k	5%	0,5W
3641	4822 100 20166	10k		TRIMPOT.
3642	4822 100 20166	10k		TRIMPOT.
3643	4822 116 52284	47k	5%	0,5W
3646	4822 116 83882	39k	5%	0,5W
3653	4822 050 11002	1k	5%	0,2W
3654	4822 050 11002	1k	5%	0,2W
3655	4822 100 20166	10k		TRIMPOT.
3656	4822 100 20166	10k		TRIMPOT.
3660	4822 116 52271	33k	5%	0,16W
3663	4822 116 52252	180k	5%	0,5W
3664	4822 116 52252	180k	5%	0,5W
3671	4822 050 11002	1k	5%	0,2W
3672	4822 116 52234	100k	5%	0,5W
3679	4822 116 52284	47k	5%	0,5W
3681	4822 116 52283	4k7	5%	0,5W
3682	4822 100 20166	10k		TRIMPOT.
3684	4822 100 20166	10k		TRIMPOT.
3686	4822 116 52284	47k	5%	0,5W
3687	4822 050 11002	1k	5%	0,2W
3688	4822 116 52234	100k	5%	0,5W
3690	4822 116 83864	10k	5%	0,5W
3691	4822 116 83864	10k	5%	0,5W
3694	4822 052 10109	10R	5%	0,33W
3705	4822 116 52215	220R	5%	0,16W
3706	4822 116 52215	220R	5%	0,16W
3715	4822 116 52249	1k8	5%	0,16W
3717	4822 116 52276	3k9	5%	0,5W
3718	4822 116 52276	3k9	5%	0,5W
3723	4822 116 52238	12k	5%	0,5W
3733	4822 116 52215	220R	5%	0,16W
3735	4822 116 52264	27k	5%	0,5W
3736	4822 116 52264	27k	5%	0,5W
3738	4822 116 52283	4k7	5%	0,5W
3740	4822 116 52284	47k	5%	0,5W
3741	4822 050 11002	1k	5%	0,2W
3742	4822 116 52234	100k	5%	0,5W
3759	4822 050 11002	1k	5%	0,2W
3761	4822 116 83864	10k	5%	0,5W
3765	4822 116 52284	47k	5%	0,5W
3770	4822 116 52243	1k5	5%	0,16W
3773	4822 100 20166	10k		TRIMPOT.
3775	4822 116 52186	22R	5%	0,5W
3776	4822 116 52296	6k8	5%	0,5W
3777	4822 116 52211	150R	5%	0,5W

RESISTORS

3778	4822 116 52211	150R	5%	0,5W
3785	4822 100 11163	TRIMPOT.		100klin.
3786	4822 116 52256	2k2	5%	0,16W
3788	4822 116 52235	1M	5%	0,5W
3789	4822 116 52257	22k	5%	0,5W
3796	4822 050 11002	1k	5%	0,2W
3797	4822 116 52234	100k	5%	0,5W
3798	4822 116 52175	100R	5%	0,5W
3841	4822 116 52176	10R	5%	0,5W
3845	4822 116 83864	10k	5%	0,5W
3846	4822 116 83864	10k	5%	0,5W
3847	4822 116 83864	10k	5%	0,5W
3848	4822 116 83864	10k	5%	0,5W
3854	4822 116 52215	220R	5%	0,16W
3855	4822 116 52256	2k2	5%	0,16W
3857	4822 116 83864	10k	5%	0,5W
3858	4822 116 83864	10k	5%	0,5W
3863	4822 116 52176	10R	5%	0,5W
3866	4822 116 52219	330R	5%	0,5W
3868	4822 116 52176	10R	5%	0,5W
3870	4822 116 52243	1k5	5%	0,16W
3871	4822 116 52186	22R	5%	0,5W
3875	4822 116 52243	1k5	5%	0,16W
3891	4822 052 10338	3R3		NFR25
3895	4822 116 52264	27k	5%	0,5W
3896	4822 116 52251	18k	5%	0,5W
3897	4822 116 52251	18k	5%	0,5W
3898	4822 116 83882	39k	5%	0,5W
3899	4822 116 83882	39k	5%	0,5W
4555	4822 116 52283	4k7	5%	0,5W
4630	4822 050 11002	1k	5%	0,2W
4654	4822 050 11002	1k	5%	0,2W
4655	4822 050 11002	1k	5%	0,2W
4656	4822 050 11002	1k	5%	0,2W
4657	4822 050 11002	1k	5%	0,2W
4668	4822 050 11002	1k	5%	0,2W
4671	4822 050 11002	1k	5%	0,2W
4672	4822 050 11002	1k	5%	0,2W
4673	4822 050 11002	1k	5%	0,2W
4676	4822 050 11002	1k	5%	0,2W
4677	4822 050 11002	1k	5%	0,2W
4679	4822 050 11002	1k	5%	0,2W
4680	4822 050 11002	1k	5%	0,2W
4684	4822 116 52256	2k2	5%	0,16W
4685	4822 116 52256	2k2	5%	0,16W
4686	4822 050 11002	1k	5%	0,2W
4692	4822 050 11002	1k	5%	0,2W
4693	4822 116 52234	100k	5%	0,5W
4695	4822 050 11002	1k	5%	0,2W
4707	4822 050 11002	1k	5%	0,2W
4708	4822 050 11002	1k	5%	0,2W
4709	4822 050 11002	1k	5%	0,2W
4720	4822 116 52278	390k	5%	0,5W
CHIP RESISTORS				
3501	4822 051 20223	22k	5%	0,1W
3502	4822 051 20223	22k	5%	0,1W
3504	4822 051 20222	2k2	5%	0,1W
3506	4822 051 20104	100k	5%	0,1W
3508	4822 051 20472	4k7	5%	0,1W

ELECTRICAL PARTSLIST COMBI BOARD

CHIP RESISTORS						CHIP RESISTORS					
0,1W	3781	4822 051 20475	4M7	5%	0,1W	4542	4822 051 10008	CHIP JUMPER1206			
0,25W	3782	4822 051 20472	4k7	5%	0,1W	4543	4822 051 10008	CHIP JUMPER1206			
0,25W	3783	4822 051 20472	4k7	5%	0,1W	4545	4822 051 10008	CHIP JUMPER1206			
0,25W	3784	4822 051 20153	15k	5%	0,1W	4546	4822 051 10008	CHIP JUMPER1206			
0,25W	3787	4822 051 20105	1M	5%	0,1W	4547	4822 051 10008	CHIP JUMPER1206			
0,1W	3795	4822 051 20103	10k	5%	0,1W	4548	4822 051 20008	CHIP JUMPER 0805			
0,25W	3811	4822 051 10102	1k	2%	0,25W	4549	4822 051 10008	CHIP JUMPER1206			
0,1W	3842	4822 051 20221	220R	5%	0,1W	4550	4822 051 20008	CHIP JUMPER 0805			
0,1W	3843	4822 051 20221	220R	5%	0,1W	4557	4822 051 10008	CHIP JUMPER1206			
0,1W	3844	4822 051 20221	220R	5%	0,1W	4559	4822 051 10008	CHIP JUMPER1206			
0,1W	3851	4822 051 20103	10k	5%	0,1W	4565	4822 051 20008	CHIP JUMPER 0805			
0,1W	3852	4822 051 20103	10k	5%	0,1W	4566	4822 051 10008	CHIP JUMPER1206			
0,1W	3856	4822 051 20223	22k	5%	0,1W	4568	4822 051 10008	CHIP JUMPER1206			
0,1W	3859	4822 051 20229	22R	5%	0,1W	4572	4822 051 10008	CHIP JUMPER1206			
0,1W	3860	4822 051 20101	100R	5%	0,1W	4574	4822 051 10008	CHIP JUMPER1206			
0,1W	3861	4822 051 20103	10k	5%	0,1W	4577	4822 051 20008	CHIP JUMPER 0805			
0,1W	3862	4822 051 20105	1M	5%	0,1W	4578	4822 051 10008	CHIP JUMPER1206			
0,1W	3864	4822 051 20229	22R	5%	0,1W	4579	4822 051 20008	CHIP JUMPER 0805			
0,1W	3865	4822 051 20103	10k	5%	0,1W	4595	4822 051 20008	CHIP JUMPER 0805			
0,1W	3867	4822 051 20221	220R	5%	0,1W	4596	4822 051 20008	CHIP JUMPER 0805			
0,1W	3869	4822 051 20103	10k	5%	0,1W	4597	4822 051 10008	CHIP JUMPER1206			
0,1W	3872	4822 051 20222	2k2	5%	0,1W	4599	4822 051 20008	CHIP JUMPER 0805			
0,1W	3874	4822 051 20103	10k	5%	0,1W	4631	4822 051 20103	10k	5%	0,1W	
0,1W	3876	4822 117 11139	1k5	5%	0,1W	4632	4822 051 10102	1k	2%	0,25W	
0,1W	3877	4822 051 20222	2k2	5%	0,1W	4633	4822 051 10102	1k	2%	0,25W	
0,1W	3878	4822 051 20105	1M	5%	0,1W	4634	4822 051 10102	1k	2%	0,25W	
0,1W	3879	4822 051 20154	150k	5%	0,1W	4635	4822 051 10102	1k	2%	0,25W	
0,1W	3880	4822 051 20393	39k	5%	0,1W	4636	4822 051 10102	1k	2%	0,25W	
0,1W	3882	4822 051 10102	1k	2%	0,25W	4637	4822 051 10102	1k	2%	0,25W	
0,1W	3883	4822 051 20122	1,2k	5%	0,1W	4638	4822 051 10102	1k	2%	0,25W	
0,1W	3884	4822 051 10102	1k	2%	0,25W	4639	4822 051 10102	1k	2%	0,25W	
0,1W	3885	4822 051 10102	1k	2%	0,25W	4640	4822 051 10102	1k	2%	0,25W	
0,1W	3887	4822 051 20333	33k	5%	0,1W	4641	4822 051 10102	1k	2%	0,25W	
0,1W	4500	4822 051 10008	CHIP JUMPER1206			4642	4822 051 10102	1k	2%	0,25W	
0,1W	4502	4822 051 10008	CHIP JUMPER1206			4643	4822 051 10102	1k	2%	0,25W	
0,1W	4503	4822 051 10008	CHIP JUMPER1206			4644	4822 051 10102	1k	2%	0,25W	
0,1W	4506	4822 051 10008	CHIP JUMPER1206			4645	4822 051 10102	1k	2%	0,25W	
0,1W	4510	4822 051 10008	CHIP JUMPER1206			4646	4822 051 10102	1k	2%	0,25W	
0,1W	4511	4822 051 10008	CHIP JUMPER1206			4647	4822 051 10102	1k	2%	0,25W	
0,1W	4516	4822 051 10008	CHIP JUMPER1206			4648	4822 051 10102	1k	2%	0,25W	
0,1W	4517	4822 051 10008	CHIP JUMPER1206			4649	4822 051 10102	1k	2%	0,25W	
0,1W	4518	4822 051 10008	CHIP JUMPER1206			4650	4822 051 10102	1k	2%	0,25W	
0,1W	4520	4822 051 20008	CHIP JUMPER 0805			4651	4822 051 10102	1k	2%	0,25W	
0,1W	4521	4822 051 10008	CHIP JUMPER1206			4652	4822 051 10102	1k	2%	0,25W	
0,25W	4523	4822 051 10008	CHIP JUMPER1206			4653	4822 051 20473	47k	5%	0,1W	
0,25W	4524	4822 051 10008	CHIP JUMPER1206			4658	4822 051 10102	1k	2%	0,25W	
0,1W	4525	4822 051 10008	CHIP JUMPER1206			4659	4822 051 20221	220R	5%	0,1W	
0,25W	4526	4822 051 10008	CHIP JUMPER1206			4660	4822 051 10102	1k	2%	0,25W	
0,1W	4527	4822 051 10008	CHIP JUMPER1206			4661	4822 051 10102	1k	2%	0,25W	
0,1W	4529	4822 051 10008	CHIP JUMPER1206			4662	4822 051 20472	4k7	5%	0,1W	
0,1W	4530	4822 051 10008	CHIP JUMPER1206			4663	4822 051 20472	4k7	5%	0,1W	
0,1W	4531	4822 051 20008	CHIP JUMPER 0805			4664	4822 051 20222	2k2	5%	0,1W	
0,1W	4533	4822 051 20008	CHIP JUMPER 0805			4665	4822 051 20103	10k	5%	0,1W	
0,1W	4534	4822 051 10008	CHIP JUMPER1206			4666	4822 051 20222	2k2	5%	0,1W	
0,1W	4535	4822 051 10008	CHIP JUMPER1206			4667	4822 051 20472	4k7	5%	0,1W	
0,25W	4536	4822 051 10008	CHIP JUMPER1206			4670	4822 051 20103	10k	5%	0,1W	
0,1W	4537	4822 051 10008	CHIP JUMPER1206			4674	4822 051 10102	1k	2%	0,25W	
0,1W	4538	4822 051 10008	CHIP JUMPER1206			4675	4822 051 20273	27k	5%	0,1W	
0,1W	4540	4822 051 10008	CHIP JUMPER1206			4678	4822 051 10102	1k	2%	0,25W	
0,1W	4541	4822 051 20008	CHIP JUMPER 0805			4681	4822 051 20472	4k7	5%	0,1W	

ELECTRICAL PARTSLIST COMBI BOARD

ELECTRICAL PA

CHIP RESISTORS

CAPACITORS

CAPACITORS

4682	4822 051 10102	1k	2%	0,25W
4683	4822 051 20103	10k	5%	0,1W
4687	4822 051 20472	4k7	5%	0,1W
4688	4822 051 20223	22k	5%	0,1W
4689	4822 051 10102	1k	2%	0,25W
4690	4822 051 20471	470R	5%	0,1W
4691	4822 051 20472	4k7	5%	0,1W
4694	4822 051 10102	1k	2%	0,25W
4696	4822 051 20221	220R	5%	0,1W
4697	4822 051 10102	1k	2%	0,25W
4698	4822 051 20221	220R	5%	0,1W
4699	4822 051 20221	220R	5%	0,1W
4700	4822 051 20221	220R	5%	0,1W
4701	4822 051 10102	1k	2%	0,25W
4702	4822 051 20008	CHIP JUMPER 0805		
4703	4822 051 10102	1k	2%	0,25W
4704	4822 051 10102	1k	2%	0,25W
4705	4822 051 10008	CHIP JUMPER1206		
4710	4822 051 10102	1k	2%	0,25W
4711	4822 051 10102	1k	2%	0,25W
4712	4822 051 10102	1k	2%	0,25W
4713	4822 051 10102	1k	2%	0,25W
4716	4822 051 10102	1k	2%	0,25W
4718	4822 051 20103	10k	5%	0,1W
4719	4822 051 20103	10k	5%	0,1W
4721	4822 051 20104	100k	5%	0,1W
4801	4822 051 10008	CHIP JUMPER1206		
4802	4822 051 20008	CHIP JUMPER 0805		
4803	4822 051 10008	CHIP JUMPER 1206		
7690	4822 051 20008	CHIP JUMPER 0805		

CAPACITORS

2555	4822 121 42408	220nF	5%	63V
2556	4822 121 42408	220nF	5%	63V
2557	4822 124 40746	0,22µF	20%	63V
2558	4822 124 40746	0,22µF	20%	63V
2560	4822 124 40433	47µF	20%	25V
2561	4822 124 40433	47µF	20%	25V
2563	4822 122 33848	47pF	5%	50V
2564	4822 122 33848	47pF	5%	50V
2565	4822 126 12882	100nF+80/-20%		50V
2566	4822 126 12882	100nF+80/-20%		50V
2579	4822 124 40242	1µF	20%	63V
2580	4822 124 40242	1µF	20%	63V
2588	4822 126 12882	100nF+80/-20%		50V
2589	4822 124 41525	100µF	20%	25V
2637	5322 121 42498	680nF	5%	63V
2638	5322 121 42498	680nF	5%	63V
2641	4822 124 40246	4,7µF	20%	63V
2642	4822 124 40246	4,7µF	20%	63V
2647	4822 124 40246	4,7µF	20%	63V
2648	4822 124 40246	4,7µF	20%	63V
2691	4822 124 40246	4,7µF	20%	63V
2692	4822 124 41584	100µF	20%	10V
2693	4822 124 41525	100µF	20%	25V
2694	4822 124 41525	100µF	20%	25V
2701	4822 122 33195	100pF	10%	50V
2702	4822 122 33195	100pF	10%	50V
2703	4822 122 33195	100pF	10%	50V
2704	4822 122 33195	100pF	10%	50V
2711	4822 122 33195	100pF	10%	50V
2712	4822 122 33195	100pF	10%	50V
2713	4822 124 41579	10µF	20%	50V
2714	4822 124 41579	10µF	20%	50V
2715	4822 124 40196	220µF	20%	16V
2716	4822 124 40196	220µF	20%	16V
2717	4822 126 12339	2,2nF	10%	16V
2718	4822 126 12339	2,2nF	10%	16V
2722	4822 126 13174	33nF	20%	16V
2727	4822 122 10459	560pF	10%	50V
2733	4822 124 41407	0,47µF	20%	63V
2734	4822 124 41407	0,47µF	20%	63V
2735	4822 126 12882	100nF+80/-20%		50V
2761	4822 124 22263	220µF	20%	25V
2762	4822 124 40246	4,7µF	20%	63V
2763	4822 124 40433	47µF	20%	25V
2765	4822 124 40433	47µF	20%	25V
2780	4822 124 40246	4,7µF	20%	63V
2781	4822 121 51387	10nF	20%	16V
2783	5322 121 42386	100nF	5%	63V
2784	4822 121 41934	22nF	10%	100V
2785	4822 124 41579	10µF	20%	50V
2786	4822 122 33195	100pF	10%	50V
2807	4822 126 12339	2,2nF	10%	16V
2831	4822 124 40433	47µF	20%	25V
2832	4822 124 40184	1000µF	20%	10V
2833	4822 124 40433	47µF	20%	25V
2843	4822 124 41407	0,47µF	20%	63V
2844	4822 124 41407	0,47µF	20%	63V
2845	4822 126 12339	2,2nF	10%	16V
2846	4822 126 12339	2,2nF	10%	16V
2848	4822 124 40433	47µF	20%	25V

2849	4822 124
2855	4822 124
2856	5322 121 4
2858	4822 122 3
2859	4822 121 5
CHIP CAPACITORS	
2501	4822 122 3
2502	4822 122 3
2513	4822 122 3
2514	4822 122 3
2515	4822 122 3
2516	4822 122 3
2527	5322 122 3
2528	5322 122 3
2531	5322 122 3
2532	5322 122 3
2533	5322 122 3
2534	5322 122 3
2535	5322 122 3
2536	5322 122 3
2538	5322 122 3
2539	4822 126
2540	4822 122
2553	4822 122
2559	4822 122
2573	5322 122
2574	5322 122
2581	5322 122
2582	5322 122
2583	4822 122
2584	4822 122
2585	5322 122
2586	5322 122
2590	4822 122
2591	4822 122
2631	4822 122
2632	4822 122
2633	4822 126
2634	4822 126
2635	4822 122
2636	4822 122
2639	5322 122
2640	5322 122
2643	4822 122
2644	4822 122
2645	5322 122
2646	5322 122
2705	5322 122
2706	5322 122
2707	5322 122
2708	5322 122
2709	5322 122
2710	5322 122
2719	4822 122
2720	4822 122
2721	4822 122
2723	4822 126
2724	4822 126
2725	4822 122
2726	4822 122
2728	4822 122

ELECTRICAL PARTSLIST COMBI BOARD**CAPACITORS**

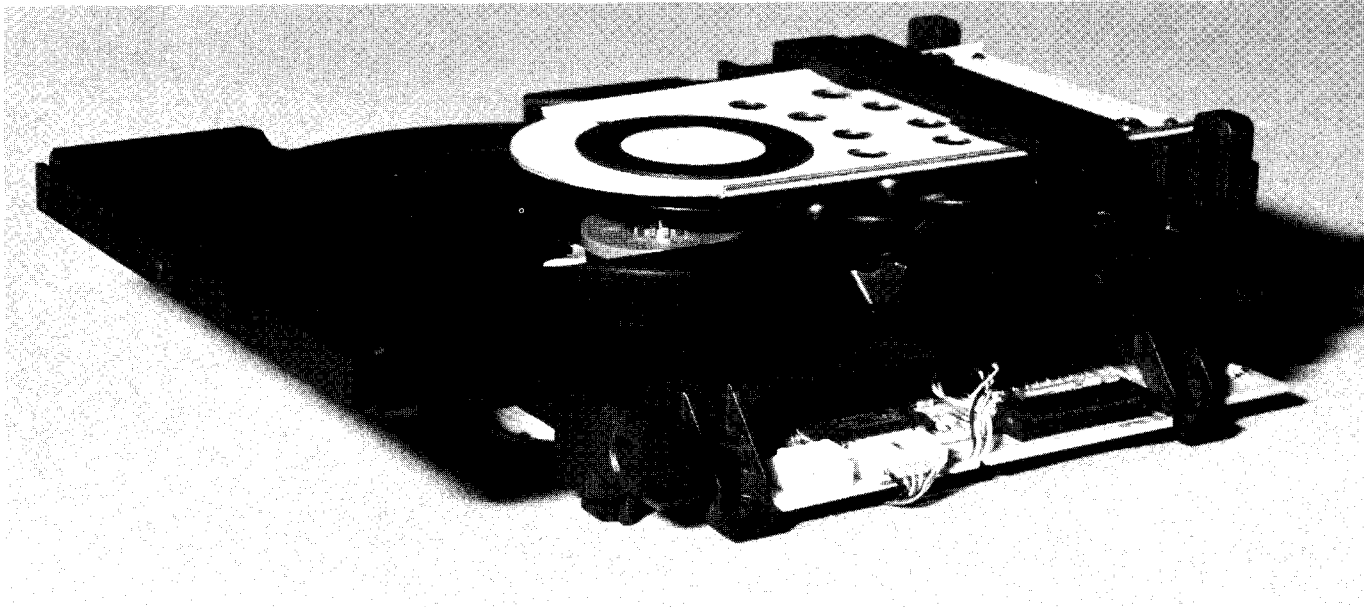
63V	2849	4822	124	40433	47µF	20%	25V
63V	2855	4822	124	40433	47µF	20%	25V
63V	2856	5322	121	42386	100nF	5%	63V
63V	2858	4822	122	33195	100pF	10%	50V
25V	2859	4822	121	51387	10nF	20%	16V

CHIP CAPACITORS

25V	2501	4822	122	33336	8,2nF	10%	50V
50V	2502	4822	122	33336	8,2nF	10%	50V
50V	2513	4822	122	32646	5,6nF	10%	50V
50V	2514	4822	122	32646	5,6nF	10%	50V
63V	2515	4822	122	33342	33nF	10%	63V
63V	2516	4822	122	33342	33nF	10%	63V
63V	2527	5322	122	32531	100pF	5%	50V
25V	2528	5322	122	32531	100pF	5%	50V
63V	2531	5322	122	31865	1,5nF	10%	63V
63V	2532	5322	122	31865	1,5nF	10%	63V
63V	2533	5322	122	32481	15pF	5%	50V
63V	2534	5322	122	32481	15pF	5%	50V
63V	2535	5322	122	32448	10pF	5%	50V
63V	2536	5322	122	32448	10pF	5%	50V
63V	2538	5322	122	32531	100pF	5%	50V
10V	2539	4822	126	10002	100nF	20%	50V
25V	2540	4822	122	31797	22nF	10%	63V
25V	2553	4822	122	33175	2,2nF	20%	50V
50V	2559	4822	122	33177	10nF	20%	50V
50V	2573	5322	122	32531	100pF	5%	50V
50V	2574	5322	122	32531	100pF	5%	50V
50V	2581	5322	122	32531	100pF	5%	50V
50V	2582	5322	122	32531	100pF	5%	50V
50V	2583	4822	122	33342	33nF	10%	63V
50V	2584	4822	122	33342	33nF	10%	63V
16V	2585	5322	122	32531	100pF	5%	50V
16V	2586	5322	122	32531	100pF	5%	50V
16V	2590	4822	122	33177	10nF	20%	50V
16V	2591	4822	122	33177	10nF	20%	50V
16V	2631	4822	122	32541	27nF	10%	63V
50V	2632	4822	122	32541	27nF	10%	63V
63V	2633	4822	126	13057	220nF	10%	25V
63V	2634	4822	126	13057	220nF	10%	25V
63V	2635	4822	122	33891	3,3nF	10%	63V
50V	2636	4822	122	33891	3,3nF	10%	63V
25V	2639	5322	122	32531	100pF	5%	50V
63V	2640	5322	122	32531	100pF	5%	50V
25V	2643	4822	122	33177	10nF	20%	50V
25V	2644	4822	122	33177	10nF	20%	50V
63V	2645	5322	122	32448	10pF	5%	50V
16V	2646	5322	122	32448	10pF	5%	50V
63V	2705	5322	122	32531	100pF	5%	50V
00V	2706	5322	122	32531	100pF	5%	50V
50V	2707	5322	122	34099	470pF	10%	63V
50V	2708	5322	122	34099	470pF	10%	63V
16V	2709	5322	122	32531	100pF	5%	50V
25V	2710	5322	122	32531	100pF	5%	50V
10V	2719	4822	122	33893	18nF	10%	63V
25V	2720	4822	122	33893	18nF	10%	63V
63V	2721	4822	122	33342	33nF	10%	63V
63V	2723	4822	126	10326	180pF	5%	
16V	2724	4822	126	10326	180pF	5%	
16V	2725	4822	122	33575	220pF	5%	50V
25V	2726	4822	122	33575	220pF	5%	50V
25V	2728	4822	122	33173	560pF	10%	63V

CHIP CAPACITORS

2729	4822	122	32541	27nF	10%	63V
2730	4822	122	32541	27nF	10%	63V
2737	4822	126	10002	100nF	20%	50V
2738	4822	126	10002	100nF	20%	50V
2752	5322	122	32654	22nF	10%	63V
2760	4822	126	10002	100nF	20%	50V
2782	5322	122	31866	6,8nF	10%	63V
2787	4822	122	33342	33nF	10%	63V
2794	4822	126	10002	100nF	20%	50V
2834	5322	126	10794	220pF	10%	
2835	5322	126	10794	220pF	10%	
2836	5322	126	10794	220pF	10%	
2837	5322	126	10794	220pF	10%	
2838	5322	126	10794	220pF	10%	
2839	5322	126	10794	220pF	10%	
2840	4822	122	33496	100nF	10%	63V
2850	5322	122	32658	22pF	5%	50V
2851	5322	122	32654	22nF	10%	63V
2852	5322	122	32452	47pF	5%	50V



CD SHORT LOADER UNIT

TABLE OF CONTENTS

Dismantling hints	10-2
Disassembly drawings	10-2
Functional Diagram	10-5
CD IF Board	
Circuit Diagram	10-6
Component Layout	10-7
Exploded view	10-8
Partslist	10-9

Dismantling hints CD Short Loader

Dismantling the tray

- a) Press open/close button to open the tray. If the tray doesn't work, use a small screwdriver as shown in Fig.1 point 1 to move the tray outside. After the first centimetre it is possible to pull the tray out by hand.
- b) Release two snaps and remove tray.

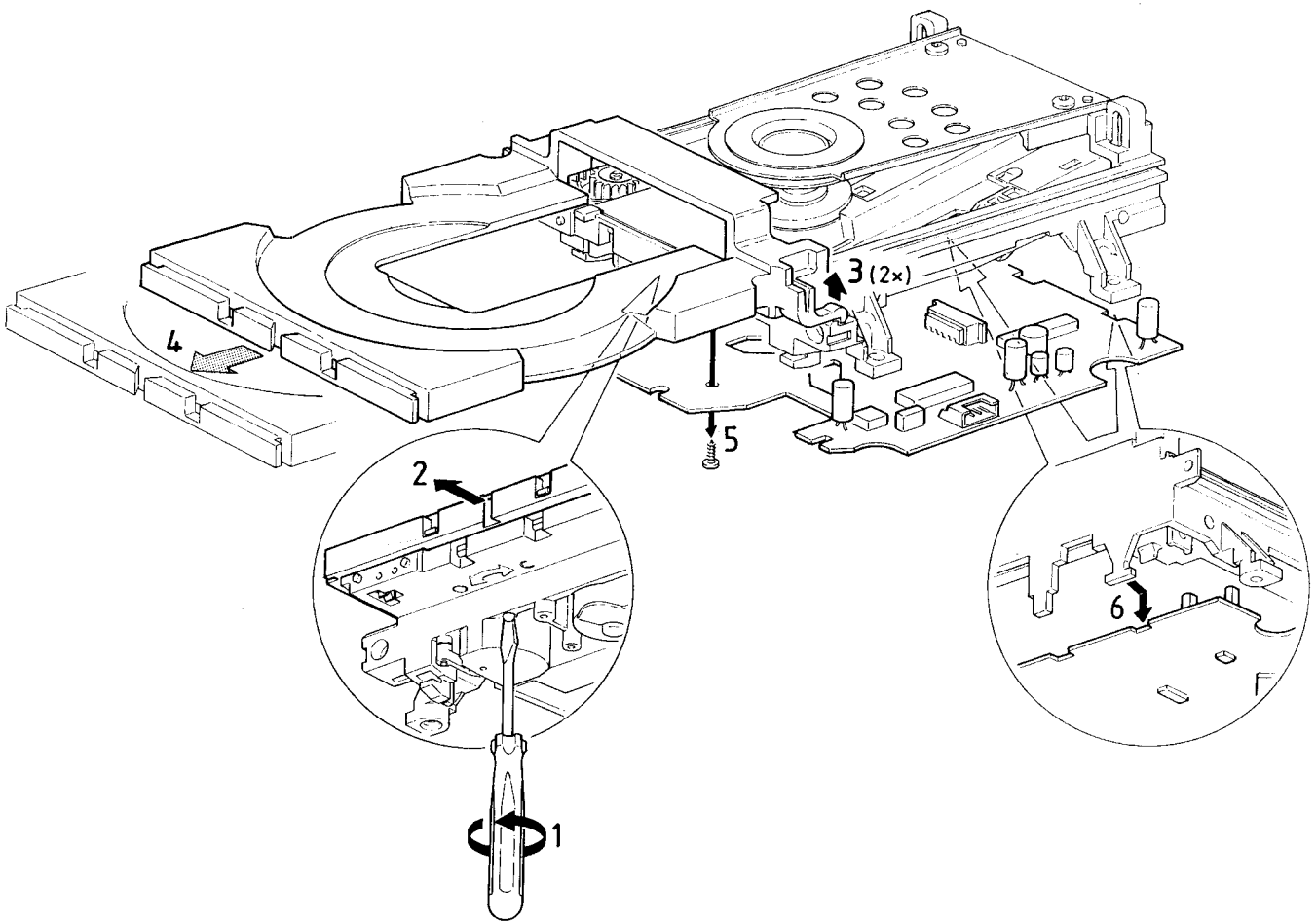


Fig. 1

Assembly of gear

- a) Use a pin (e.g. a paperclip) to align the cam wheel (a) with the gear wheel (b). See Fig. 2.
- b) Fix the wheels with the small plastic washers.

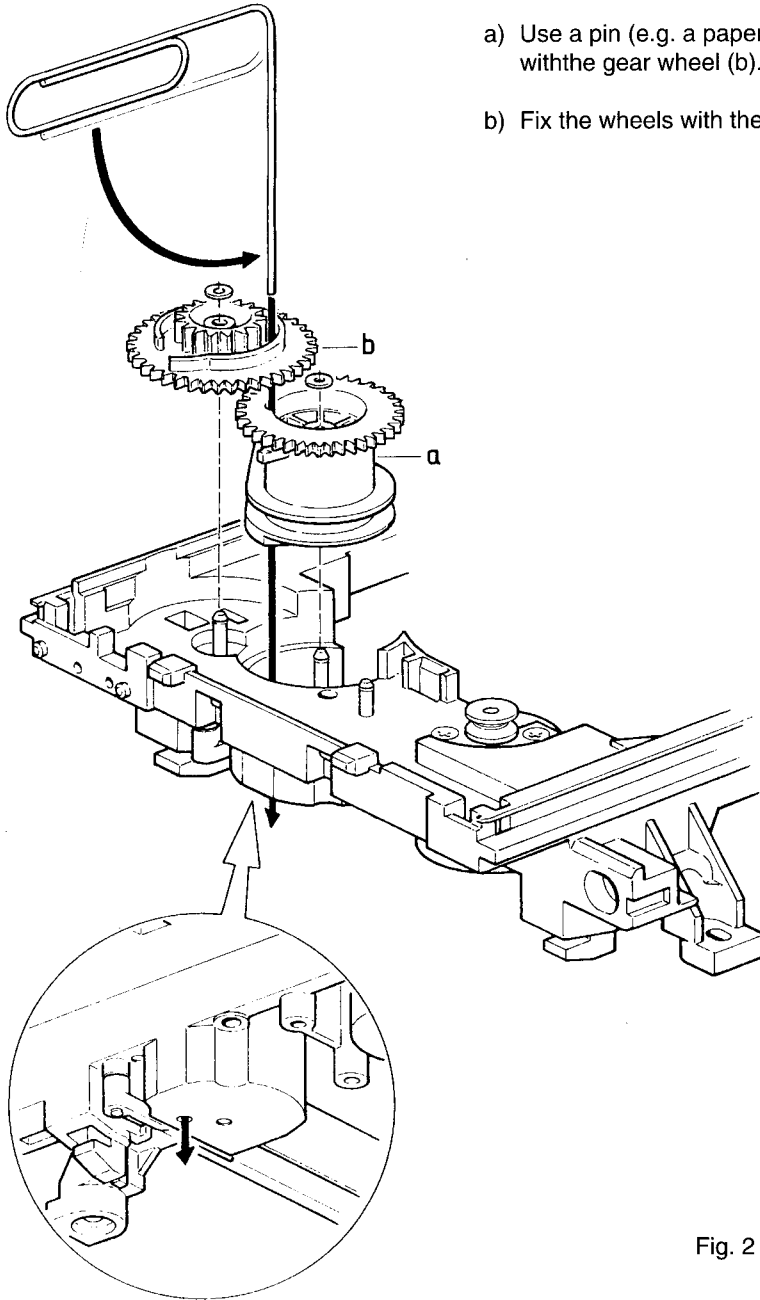


Fig. 2

- c) Mount idle wheel 2 (c) and idle wheel 1 (d) in any position. See Fig. 3.
- d) Fix the idle wheel 1 (d) with the small plastic washer.
- e) Mount the driving belt.

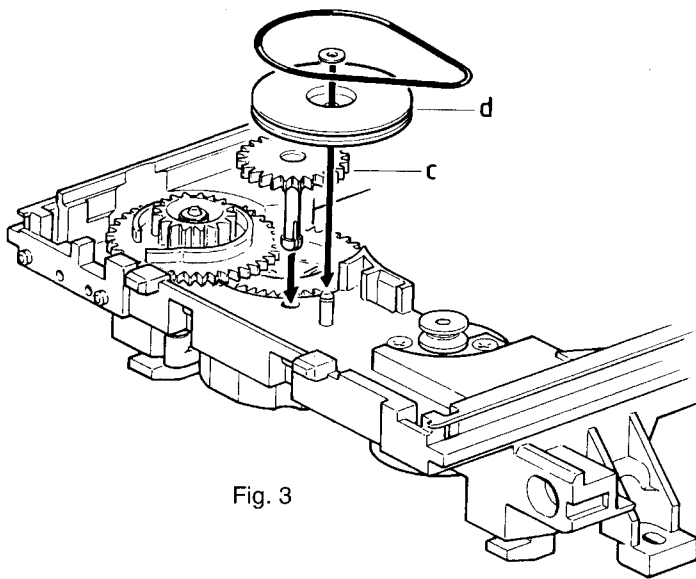


Fig. 3

- f) Mount the pinion guiding assy and the cover as shown in Fig. 4.
- g) Turn the gear wheel (b) counter clockwise to endposition.

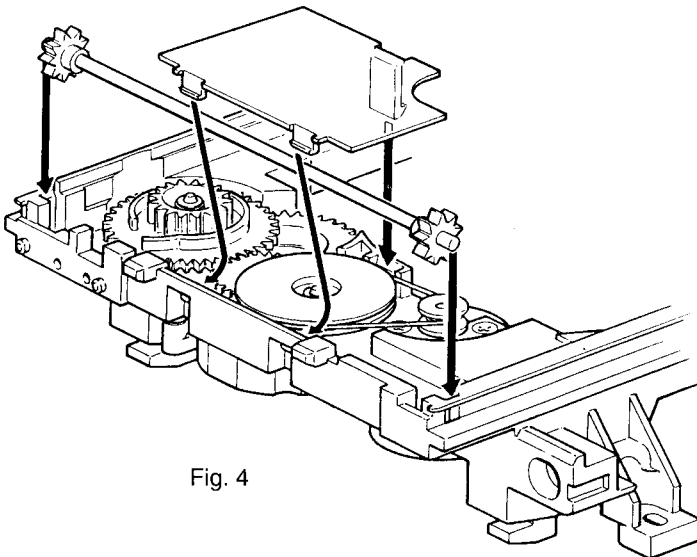


Fig. 4

- h) Mount the CD Mechanism as shown in Fig. 5.
- i) Mount the tray (Align the tray to the chassis and push it inside).

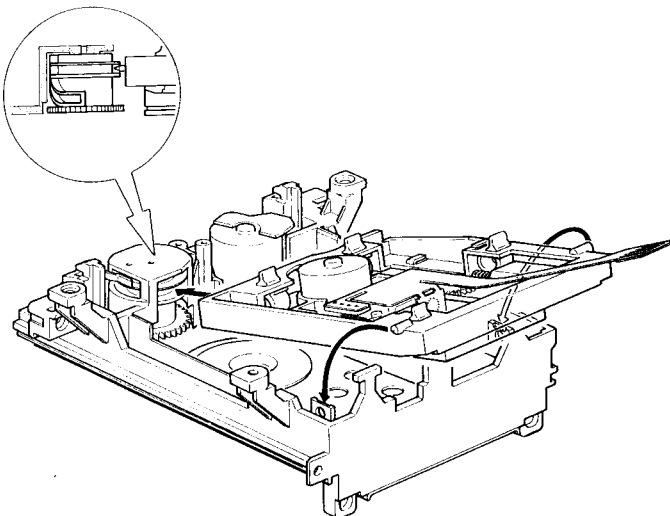


Fig. 5

Check if tray mechanism works correctly!

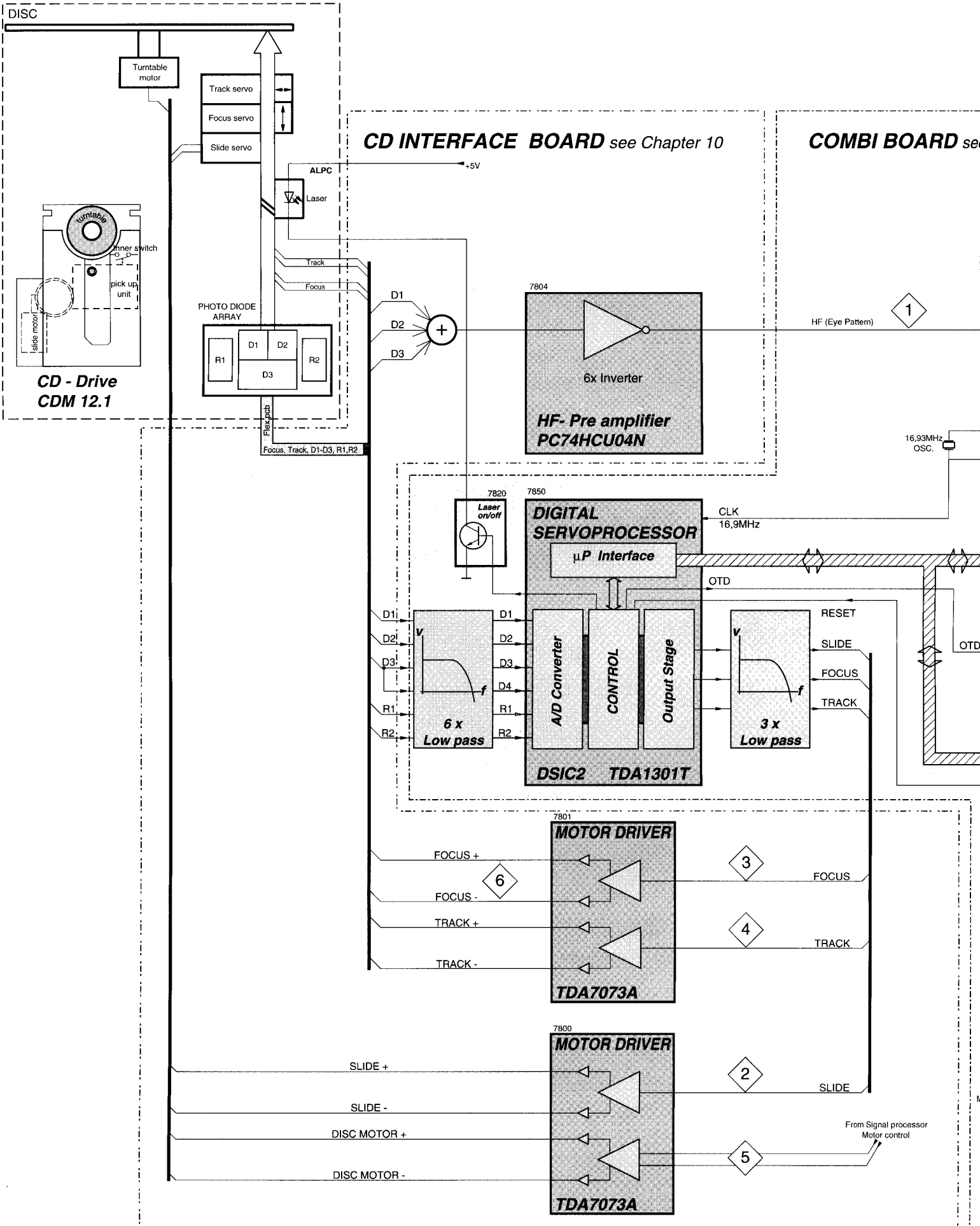
- 1) Turn the gear wheel (b) clockwise to its endposition (Use a small screwdriver as shown in Fig. 1 point 1).

The tray has to move to inner position first and then the CD mechanism has to move to its upper position.

- 2) Turn the gear wheel (b) counter clockwise to its endposition.

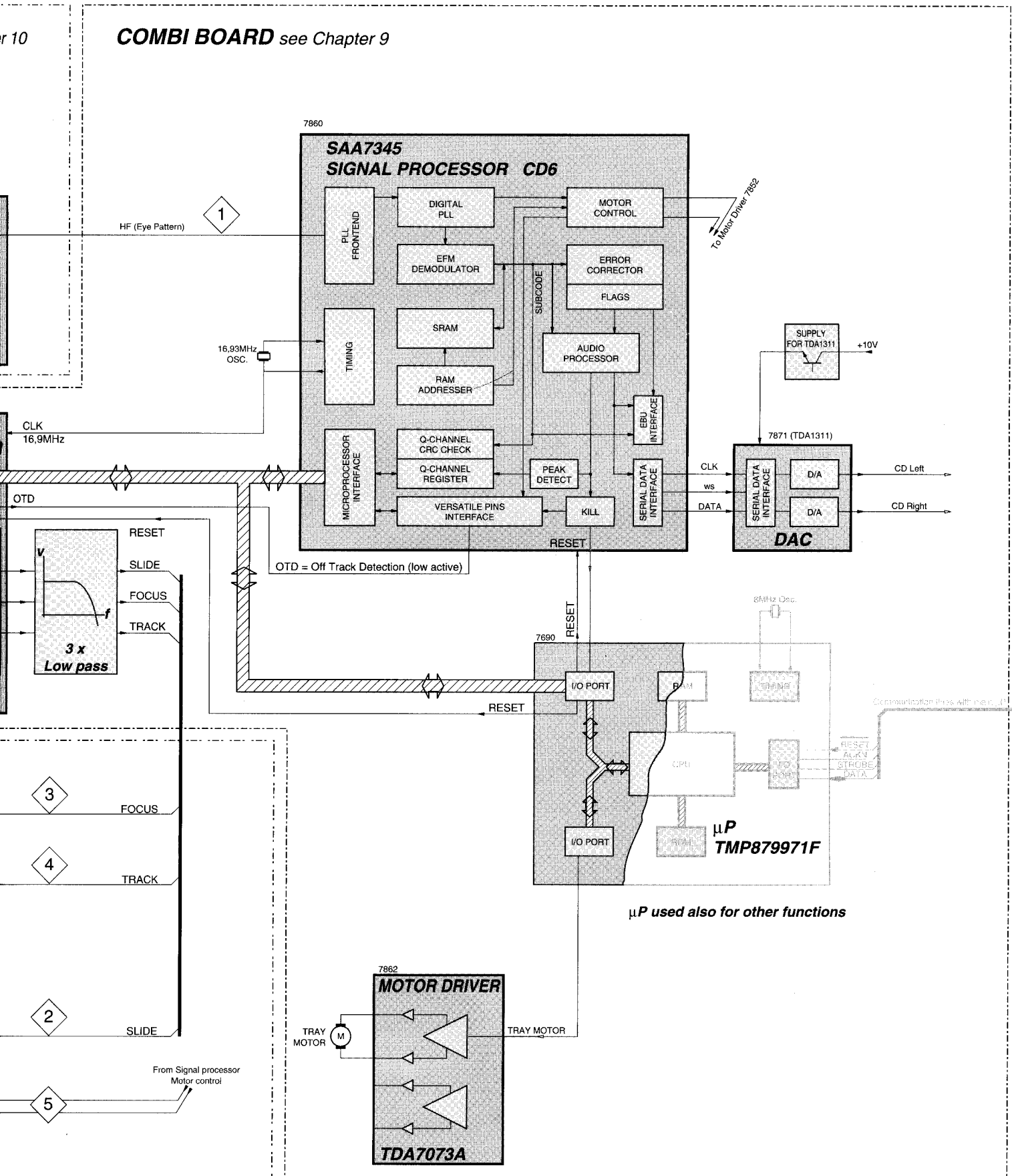
The CD Mechanism has to move to its lower position first and then the tray has to move outside.

FUNCTIONAL DIAGRAM CD Short Loader Module



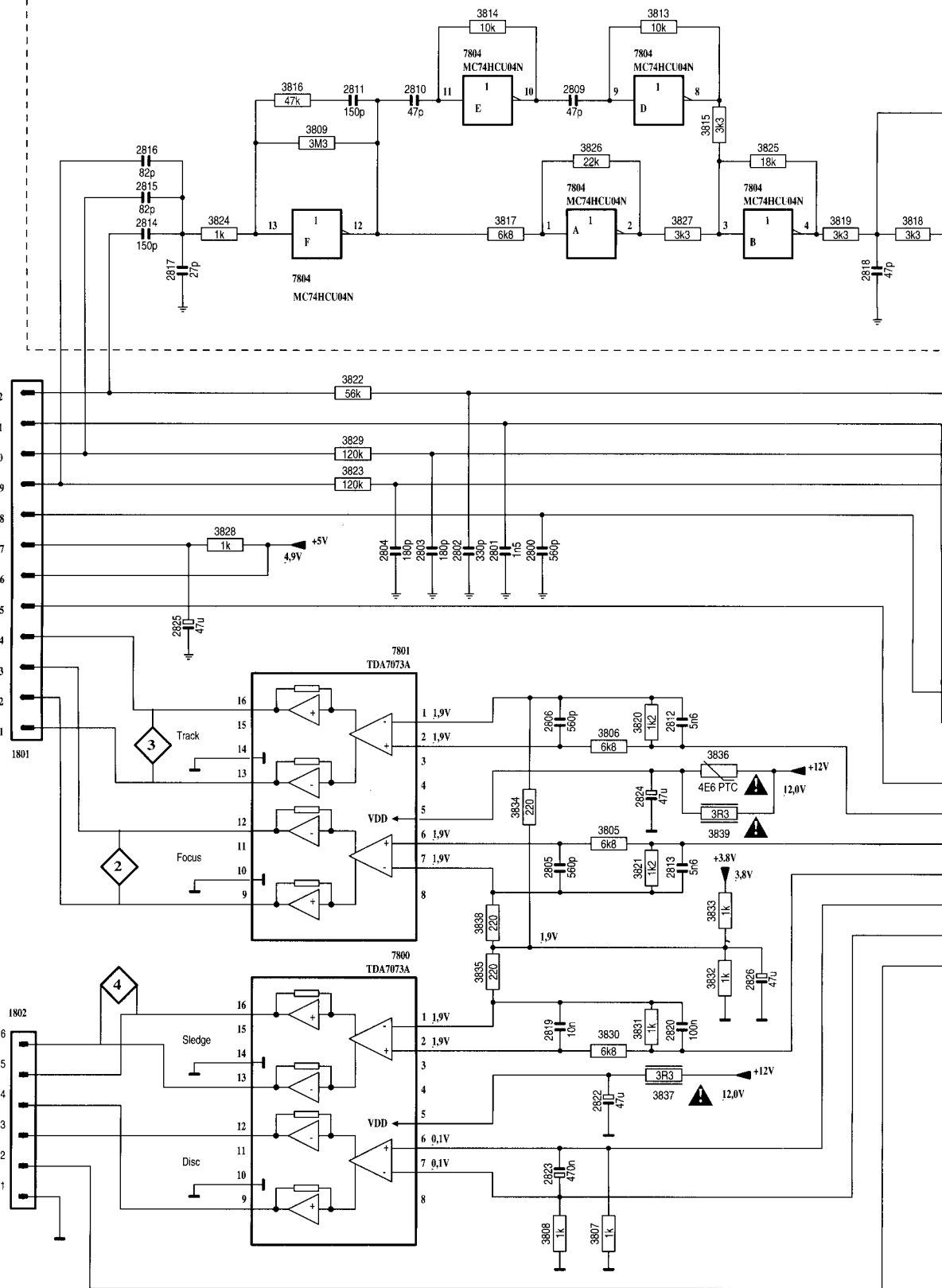
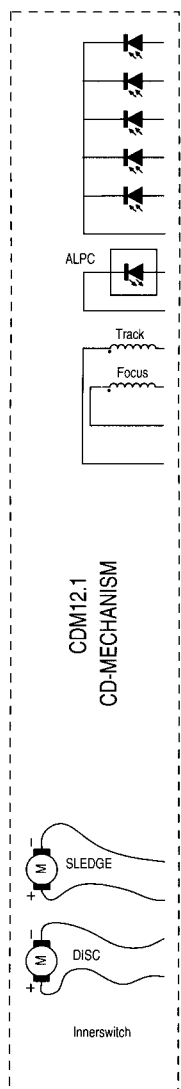
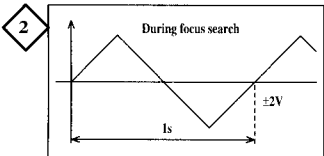
ule

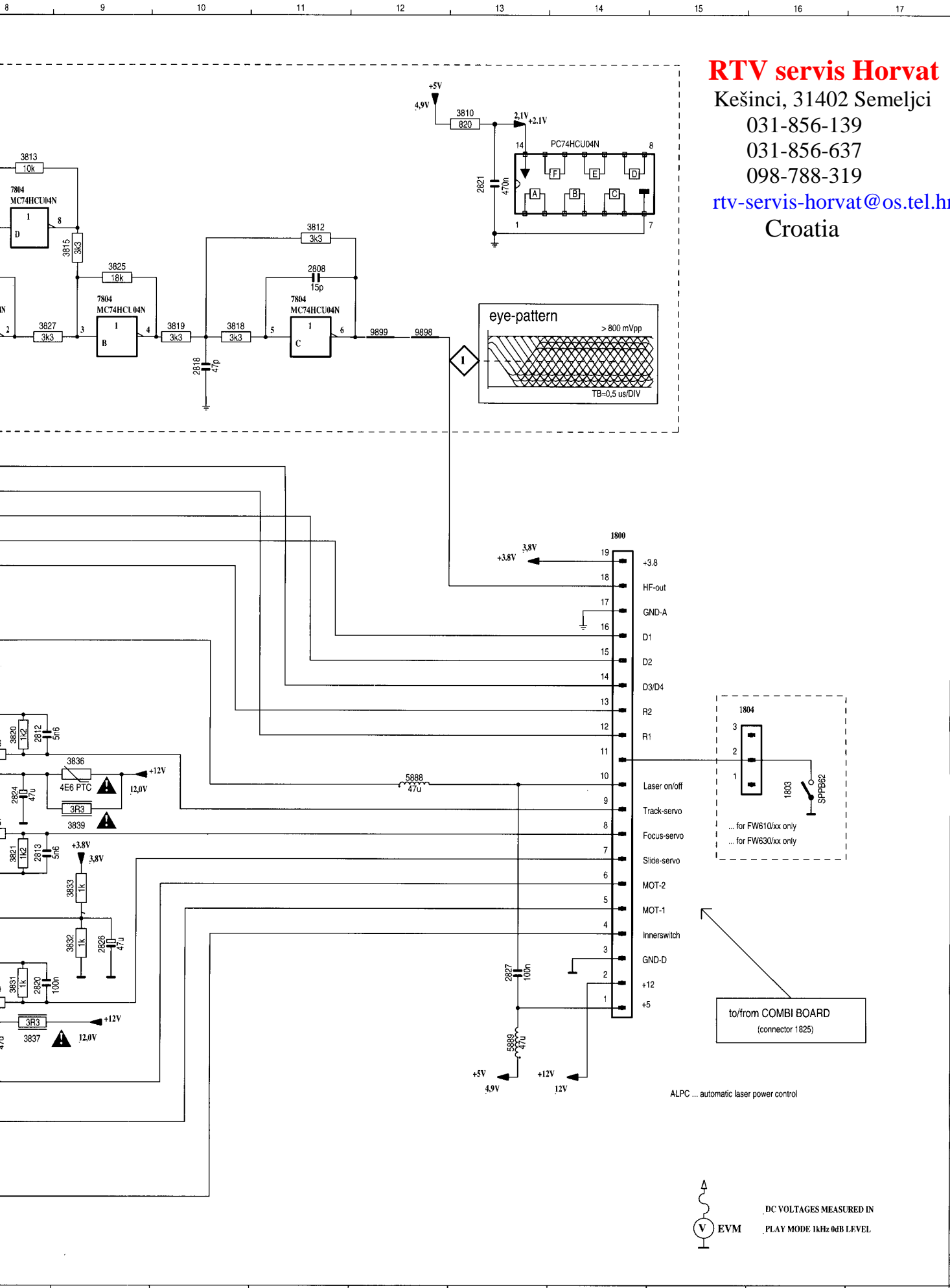
COMBI BOARD see Chapter 9



CD-INTERFACE BOARD

HF-PREAMPLIFIER





RTV servis Horvat

Kešinci, 31402 Semeljci

031-856-139

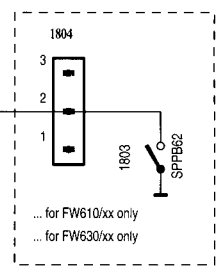
031-856-637

098-788-319

rtv-servis-horvat@os.tel.hr

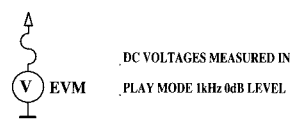
Croatia

- 1800 E14
- 1801 H 3
- 1802 J 3
- 1803 H16
- 1804 G15
- 2800 F 7
- 2801 E 7
- 2802 F 7
- 2803 F 6
- 2804 F 6
- 2805 I 7
- 2806 G 7
- 2808 C11
- 2809 B 8
- 2810 B 6
- 2811 B 6
- 2812 C 8
- 2813 I 8
- 2814 C 4
- 2815 C 4
- 2816 C 4
- 2817 D 4
- 2818 D10
- 2819 J 7
- 2820 J 8
- 2821 B13
- 2822 J 8
- 2823 K 7
- 2824 H 8
- 2825 G 4
- 2826 I 9
- 2827 J13
- 2805 H 8
- 3806 G 8
- 3807 L 8
- 3808 L 7
- 3809 C 5
- 3810 A13
- 3812 B11
- 3813 B 8
- 3814 B 7
- 3815 B 9
- 3816 B 5
- 3817 C 7
- 3818 C10
- 3819 C10
- 3820 G 8
- 3821 I 8
- 3822 E 6
- 3823 E 6
- 3824 C 5
- 3825 C 9
- 3826 C 8
- 3827 C 8
- 3828 F 5
- 3829 E 6
- 3830 J 8
- 3831 J 8
- 3832 I 9
- 3833 I 9
- 3834 H 7
- 3835 I 7
- 3836 H 9
- 3837 J 8
- 3838 I 7
- 3839 H 9
- 5888 H12
- 5889 J13
- 7800 I 6
- 7801 G 6
- 7804 C 7
- 7804 C 9
- 7804 C11
- 7804 B 8
- 7804 B 7
- 7804 D 5
- 9898 C12
- 9899 C12
- T350 E 4
- T351 E 4
- T352 E 4
- T353 E 4
- T354 F 4
- T355 F 4
- T356 F 4
- T357 F 4
- T358 G 4
- T359 G 3
- T360 G 3
- T361 G 4
- T362 J 3
- T363 J 3
- T364 J 3
- T365 K 3
- T366 J14
- T367 K14
- T368 I14
- T369 I14
- T370 I14
- T371 I14
- T372 H14
- T373 H14
- T374 H14
- T375 F14
- T376 G14
- T377 G14
- T378 G14
- T379 F14
- T380 F14
- T381 F14
- T382 G15
- T383 A13
- T385 I 9
- T386 H 7
- T387 J 7
- T388 E14



to/from COMBI BOARD
(connector 1825)

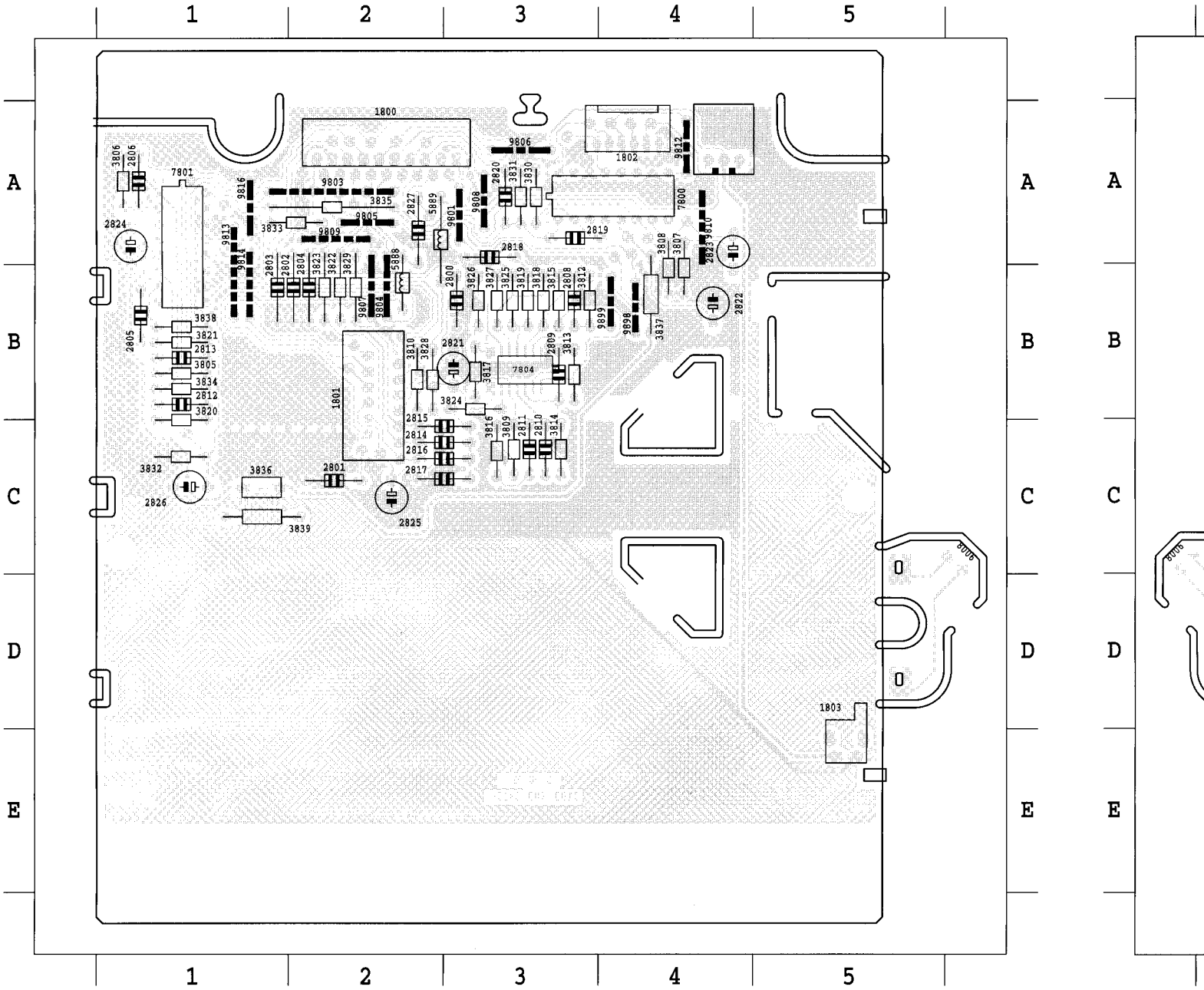
ALPC ... automatic laser power control



1800 A 2	2805 B 1	2816 C 3	2826 C 1	3814 C 3	3824 B 3	3834 B 1	7804 B 3	9812 A 4	1800 A 2
1801 B 2	2806 A 1	2817 C 3	2827 A 2	3815 B 3	3825 B 3	3835 A 2	9801 A 3	9813 B 1	1801 B 2
1802 A 4	2808 B 3	2818 A 3	3805 B 1	3816 C 3	3826 B 3	3836 C 1	9803 A 2	9814 B 1	1802 A 4
1803 E 5	2809 B 3	2819 A 3	3806 A 1	3817 B 3	3827 B 3	3837 B 4	9804 B 2	9816 A 1	1803 E 5
1804 A 4	2810 C 3	2820 A 3	3807 B 4	3818 B 3	3828 B 2	3838 B 1	9805 A 2	9898 B 4	1804 A 4
2800 B 3	2811 C 3	2821 B 3	3808 B 4	3819 B 3	3829 B 2	3839 C 1	9806 A 3	9899 B 4	2800 B 3
2801 C 2	2812 B 1	2822 B 4	3809 C 3	3820 C 1	3830 A 3	5888 B 2	9807 B 2		2801 C 2
2802 B 2	2813 B 1	2823 A 4	3810 B 2	3821 B 1	3831 A 3	5889 A 2	9808 A 3		2802 B 2
2803 B 1	2814 C 3	2824 A 1	3812 B 3	3822 B 2	3832 C 1	7800 A 4	9809 A 2		2803 B 1
2804 B 2	2815 C 3	2825 C 2	3813 B 3	3823 B 2	3833 A 2	7801 A 1	9810 A 4		2804 B 2

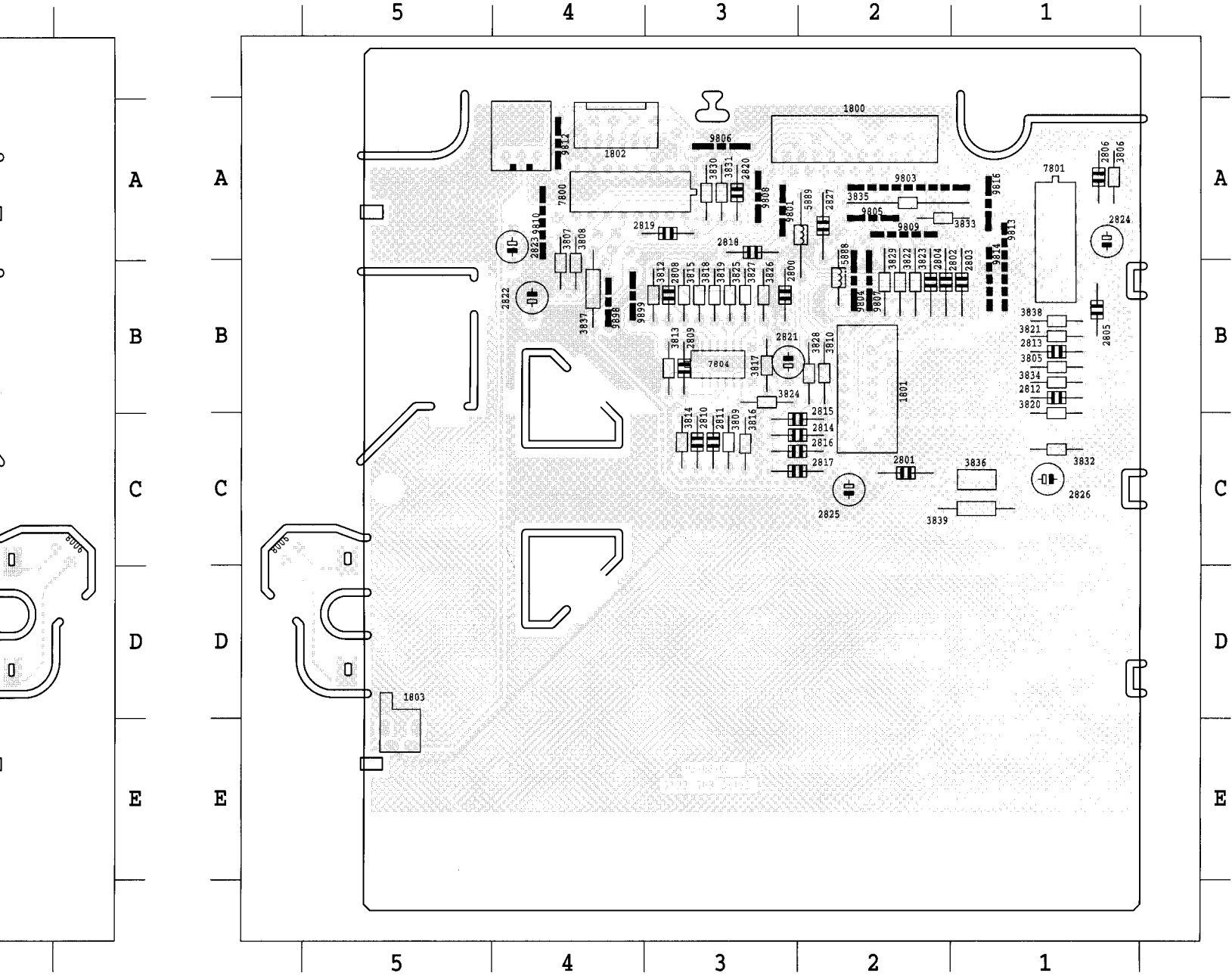
Componentside view

Copper

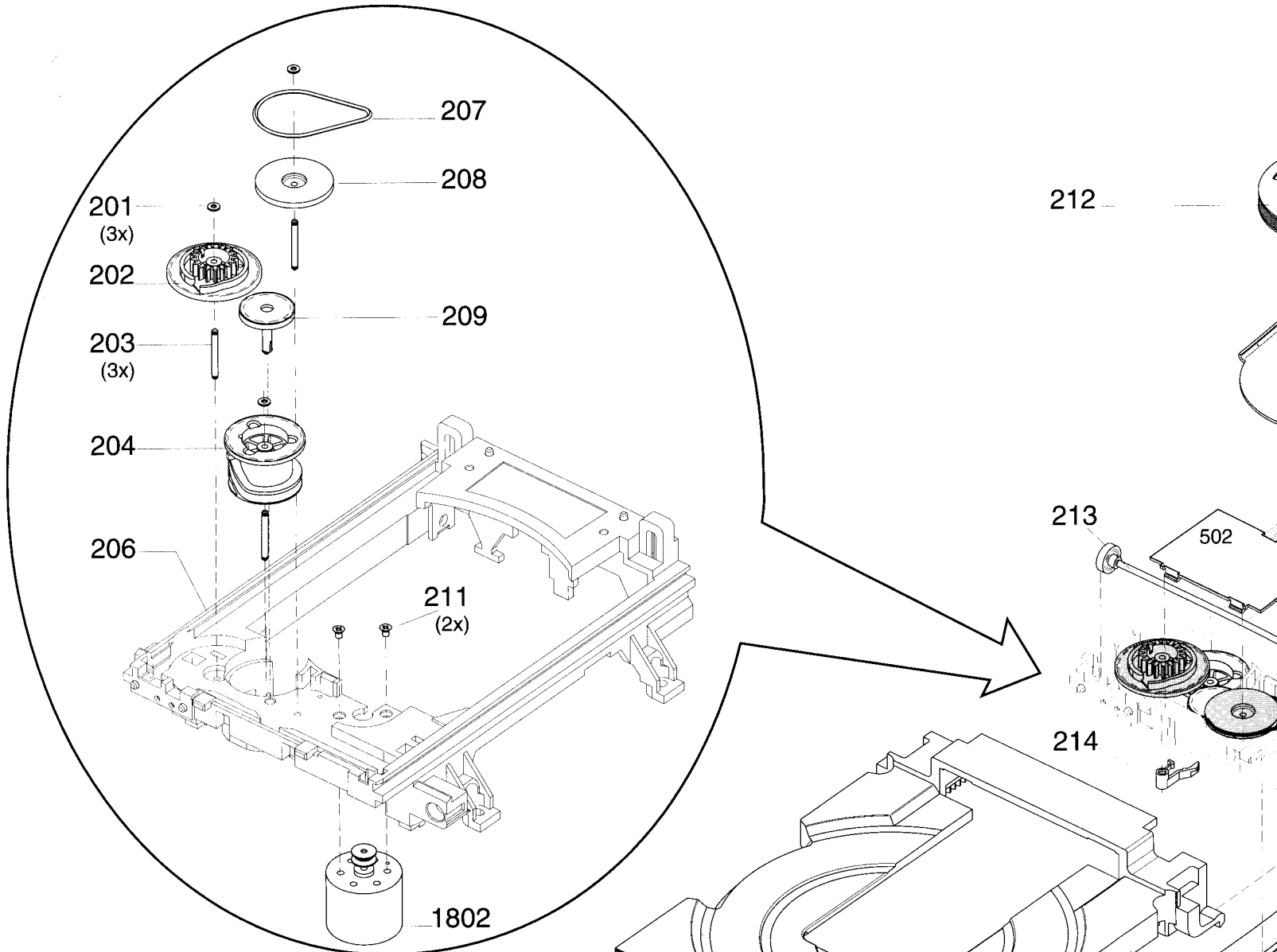


04 B 3	9812 A 4	1800 A 2	2805 B 1	2816 C 3	2826 C 1	3814 C 3	3824 B 3	3834 B 1	7804 B 3	9812 A 4
01 A 3	9813 B 1	1801 B 2	2806 A 1	2817 C 3	2827 A 2	3815 B 3	3825 B 3	3835 A 2	9801 A 3	9813 B 1
03 A 2	9814 B 1	1802 A 4	2808 B 3	2818 A 3	3805 B 1	3816 C 3	3826 B 3	3836 C 1	9803 A 2	9814 B 1
04 B 2	9816 A 1	1803 E 5	2809 B 3	2819 A 3	3806 A 1	3817 B 3	3827 B 3	3837 B 4	9804 B 2	9816 A 1
05 A 2	9898 B 4	1804 A 4	2810 C 3	2820 A 3	3807 B 4	3818 B 3	3828 B 2	3838 B 1	9805 A 2	9898 B 4
06 A 3	9899 B 4	2800 B 3	2811 C 3	2821 B 3	3808 B 4	3819 B 3	3829 B 2	3839 C 1	9806 A 3	9899 B 4
07 B 2		2801 C 2	2812 B 1	2822 B 4	3809 C 3	3820 C 1	3830 A 3	5888 B 2	9807 B 2	
08 A 3		2802 B 2	2813 B 1	2823 A 4	3810 B 2	3821 B 1	3831 A 3	5889 A 2	9808 A 3	
09 A 2		2803 B 1	2814 C 3	2824 A 1	3812 B 3	3822 B 2	3832 C 1	7800 A 4	9809 A 2	
10 A 4		2804 B 2	2815 C 3	2825 C 2	3813 B 3	3823 B 2	3833 A 2	7801 A 1	9810 A 4	

Copperside view



Exploded view CD Short Loader



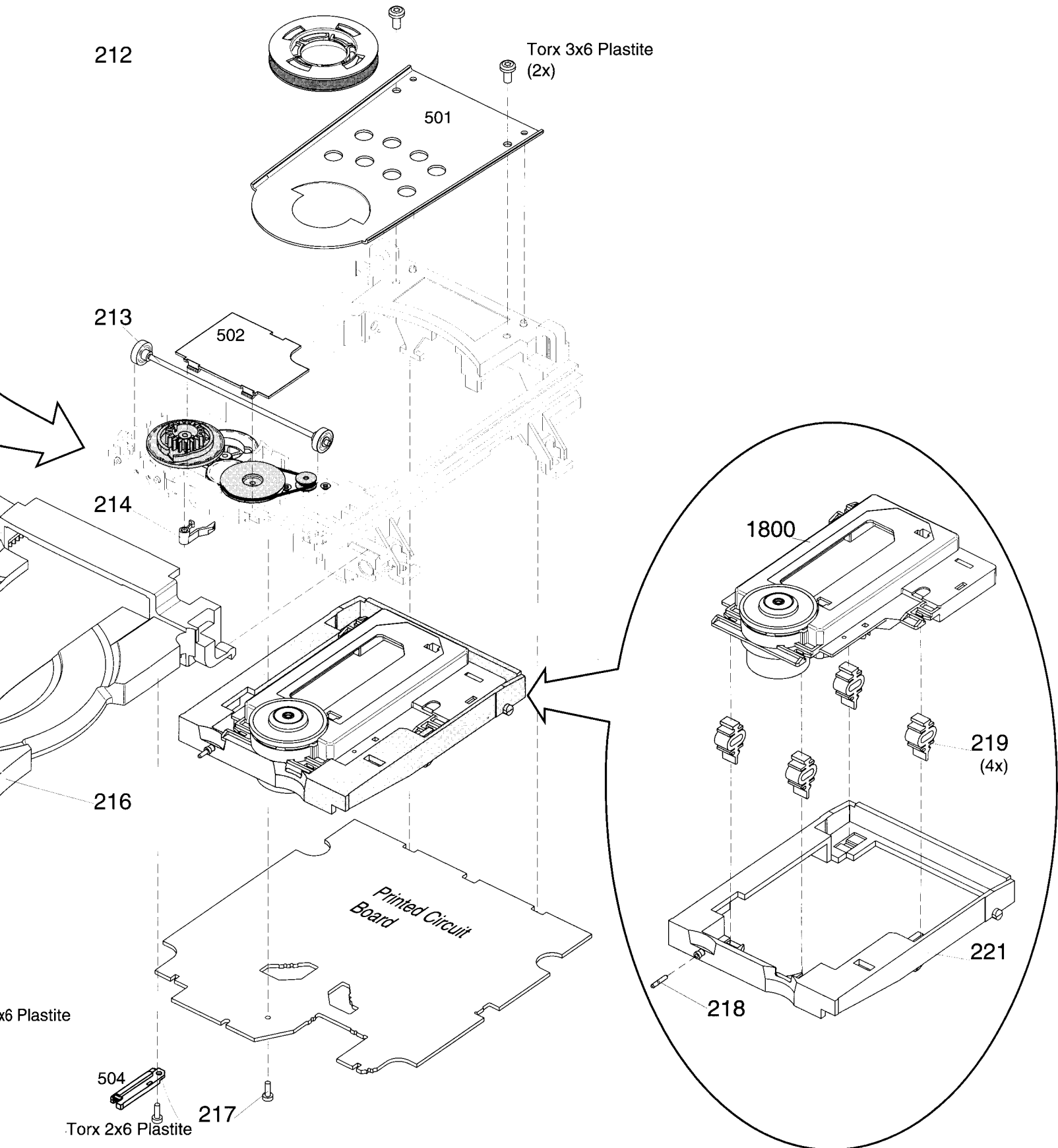
MECHANICAL PARTSLIST CD Short Loader

201	4822 532 51061	WASHER (PLASTIC)
202	4822 522 33464	GEAR WHEEL DRAWER
203	4822 535 93466	SPINDLE
204	4822 522 33465	CAM WHEEL
206	4822 464 51031	CHASSIS
207	4822 358 31301	DRIVING BELT
208	4822 528 70851	IDLE WHEEL 1
209	4822 528 70852	IDLE WHEEL 2
211	4822 502 12162	SCREW M2 X 3 (MOTOR)
212	4822 402 61412	CLAMPER ASSY
213	4822 532 52573	PINION GUIDING ASSY
214	4822 402 50312	LEVER SWITCH
216	4822 444 40727	DRAWER
217	4822 502 13886	SCREW PLASTITE 2X6
218	4822 535 93486	PIN FRAME
219	4822 325 50215	SUSPENSION
221	4822 464 51032	FRAME
1800	4822 691 30278	CDM 12.1 ASSY
1802	4822 361 21708	MOTOR ASSY
	4822 502 30735	SCREW 3 X 6 PLASTITE

503
Torx 2x6 Plastite

504
Torx 2x6 Plastite

Exploded view CD Short Loader



ELECTRICAL PARTSLIST CD INTERFACE BOARD**MISCELLANEOUS**

1800	4822 267 60412	FLEX PRINT CONNECTOR
1803	4822 276 13503	SWITCH

INTEGRATED CIRCUITS

7800	4822 209 32852	TDA7073A/N2
7801	4822 209 32852	TDA7073A/N2
7804	5322 209 11517	PC74HCU04T

COILS

5888	4822 157 53906	47μH	10%
5889	4822 157 53906	47μH	10%

RESISTORS

3805	4822 116 52296	6k8	5%	0,5W
3806	4822 116 52296	6k8	5%	0,5W
3807	4822 050 11002	1k	5%	0,2W
3808	4822 050 11002	1k	5%	0,2W
3809	4822 111 50499	3M3	5%	0,2W

3810	4822 116 52231	820R	5%	0,5W
3812	4822 116 52269	3k3	5%	0,5W
3813	4822 116 83864	10k	5%	0,5W
3814	4822 116 83864	10k	5%	0,5W
3815	4822 116 52269	3k3	5%	0,5W

3816	4822 116 52284	47k	5%	0,5W
3817	4822 116 52296	6k8	5%	0,5W
3818	4822 116 52269	3k3	5%	0,5W
3819	4822 116 52269	3k3	5%	0,5W
3820	4822 116 52207	1k2	5%	0,5W

3821	4822 116 52207	1k2	5%	0,5W
3822	4822 116 52291	56k	5%	0,5W
3823	4822 116 52239	120k	5%	0,5W
3824	4822 050 11002	1k	5%	0,2W
3825	4822 116 52251	18k	5%	0,5W

3826	4822 116 52257	22k	5%	0,5W
3827	4822 116 52269	3k3	5%	0,5W
3828	4822 050 11002	1k	5%	0,2W
3829	4822 116 52239	120k	5%	0,5W
3830	4822 116 52296	6k8	5%	0,5W

3831	4822 050 11002	1k	5%	0,2W
3832	4822 050 11002	1k	5%	0,2W
3833	4822 050 11002	1k	5%	0,2W
3834	4822 116 52215	220R	5%	0,16W
3835	4822 116 52215	220R	5%	0,16W

3836	4822 116 40227	PTC	4R6	
3837	4822 052 10338	3R3		NFR25
3838	4822 116 52215	220R	5%	0,16W

CAPACITORS

2800	4822 122 10459	560pF	10%	50V
2801	4822 126 12878	1,5nF	10%	16V
2802	4822 126 12787	330pF	10%	50V
2803	4822 126 10053	180pF	10%	50V
2804	4822 126 10053	180pF	10%	50V

2805	4822 122 10459	560pF	10%	50V
2806	4822 122 10459	560pF	10%	50V
2808	4822 122 10462	15pF	5%	50V
2809	4822 122 33848	47pF	5%	50V

CAPACITORS

2810	4822 122 33848	47pF	5%	50V
2811	4822 122 33849	150pF	10%	50V
2812	4822 126 13098	5,6nF	20%	16V
2813	4822 126 13098	5,6nF	20%	16V
2814	4822 122 33849	150pF	10%	50V

2815	4822 122 10319	82pF	5%	50V
2816	4822 122 10319	82pF	5%	50V
2817	4822 122 33192	27pF	5%	50V
2818	4822 122 33848	47pF	5%	50V
2819	4822 121 51387	10nF	20%	16V

2820	4822 126 12882	100nF	20%	50V
2821	4822 124 41407	0,47μF	20%	63V
2822	4822 124 40433	47μF	20%	25V
2823	4822 124 40999	0,47μF	20%	50V
2824	4822 124 40433	47μF	20%	25V

2825	4822 124 40433	47μF	20%	25V
2826	4822 124 40433	47μF	20%	25V
2827	4822 126 12882	100nF	20%	50V

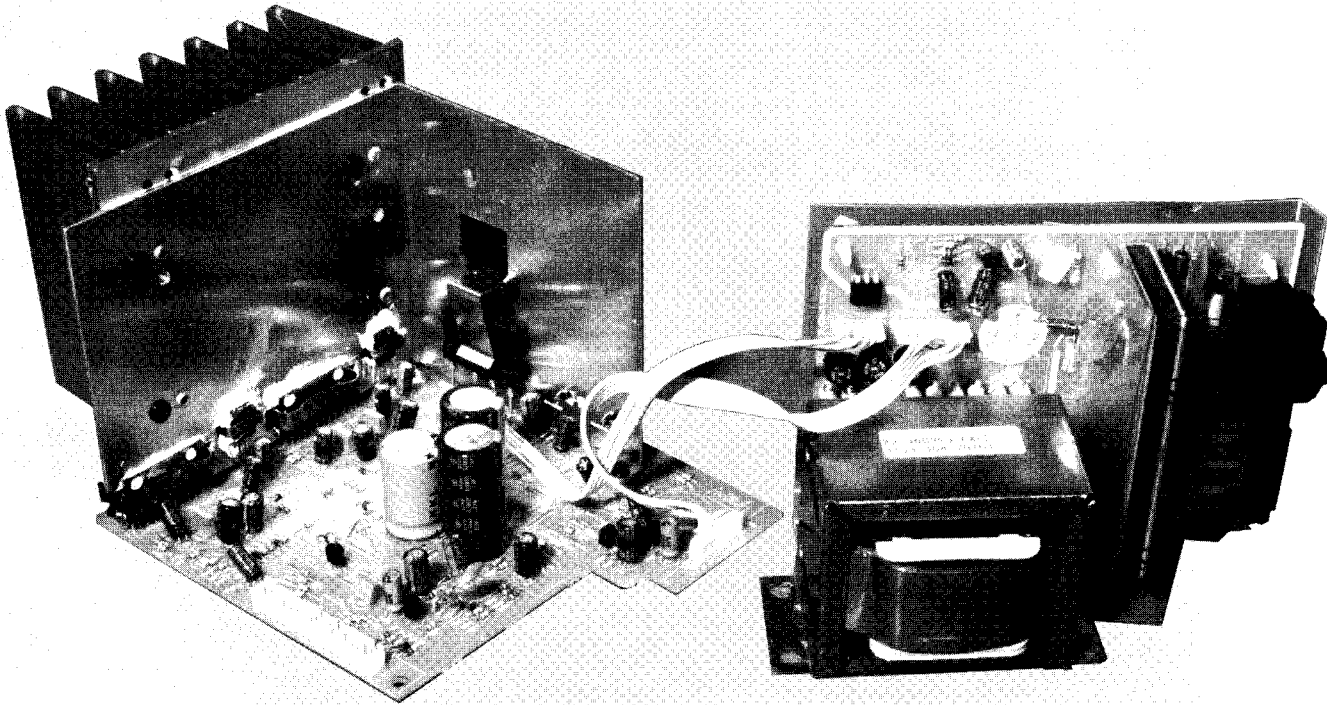
CIRCUIT

The mains tra
voltage. The
7351. To be a
rectified by a
control of the

In Power on n
optocoupler 7
optocoupler is
Stabilisation a
and the elcap
transistor 736
the stabilized
connected via
voltage +16V
voltage +16V
+16V the tran
also the MOS
both semicon

To provide su
measures are
resistor 3341
the secondary
The RC netw
DC gain rema

Transients co
To safeguard
3357 and the
thyristor 7352
To avoid a to
thyristor 7376
6386 senses
of excessive



POWER BOARD

TABLE OF CONTENTS

Circuit description 11-1
 Component layout 11-2
 Circuit diagram Supply part 11-3
 Component layout 11-4
 Circuit diagram Power stage 11-5
 Partslist 11-6

CIRCUIT DESCRIPTION

The mains transformer 1008 is fed with a preregulated voltage. The preregulation is done by a power MOSFET 7351. To be able to handle AC, the voltage for the FET is rectified by a diode bridge 6351, 6352, 6353 and 6354. The control of the MOSFET is depending of the mode of the set.

In Power on mode the MOSFET is controled by the optocoupler 7353 via resistor 3345. The supply for the optocoupler is created via resistor 3343 and the diode 6344. Stabilisation and filtering is done by the zenerdiode 6345 and the elcap 2343. The optocoupler is activated by the transistor 7369. The emitter of this transistor is connected to the stabilized voltage +5,6V via resistor 3386. The base is connected via zenerdiode 6384 and resistor 3383 to the voltage +16V. This enables the transistor to compare the voltage +16V with the voltage +5,6V. In case of a too low +16V the transistor conducts and makes via the optocoupler also the MOSFET conducting. In case of a too high +16V both semiconductors become nonconducting.

To provide sufficient stability in the whole control loop, some measures are taken. On the primary side a feed back via resistor 3341 and diode 6341 reduces the overall gain. On the secondary side the resistor 3386 works in similar way. The RC network 2379/3379 reduces the AC gain while the DC gain remains unaffected.

Transients could cause too high current peaks in the FET. To safeguard the FET, the current is sensed by the resistor 3357 and the transistor 7342. In case of overcurrent the thyristor 7352 fires and bypass the FET.

To avoid a too high supply in case of fault condition the thyristor 7376 is used as a crowbar device. The zenerdiode 6386 senses the voltage +24V and fires the thyristor in case of excessive voltage. The fuses will be blown.

In the ECO mode (Stand by and display off) it is only necessary to supply the microprocessor and the infrared eye. This can be done with a drastically reduced voltage on the transformer. To activate that mode, the line STBY is switched by the microprocessor to ground. This makes the transistor 7366 conducting. As a consequence the +12V stabilisation, realized by transistors 7360, 7363 and 7364, is switched off. Additional the transistor 7368 is conducting and switches transistor 7369 off. The control loop via the optocoupler is now cut off. The control is working only with components connected to the primary side of the transformer. Via the diode 6344 still a stabilized voltage of 12V is created. The voltage at the anode of the diode 6344 is during one half cycle about +12V and during the other half cycle below zero depending on the voltage across the transformer.

Integration by resistor 3349 and capacitor 2344 results a triangle voltage, fed via diode 6342 to the gate of the FET. The positive peak happens at the zero crossing of the mains, switching on the FET for a short time. The average DC level is depending on the transformer voltage. Increasing transformer voltage shifts the DC level to negative. This is reducing the conduction time of the FET.

0011 A 2	1357 A 8	2312 B 1	2330 B 1	2358 A 5	2372 E 4	3305 E 2	3321 E 2	3338 C 1	3356 B 1	3371 A 5	3386 B 5	6306 D 2
0013 A 6	1358 A 8	2313 E 3	2331 E 4	2359 C 4	2373 D 4	3307 E 2	3322 C 2	3339 C 8	3357 C 9	3372 A 5	3387 D 5	6307 D 2
0014 A 1	1359 B 8	2315 E 2	2333 E 5	2360 C 3	2374 B 3	3308 C 2	3323 E 1	3341 C 9	3358 B 9	3373 D 5	3388 B 5	6308 C 2
1008 B 7	1360 A 5	2316 C 2	2334 D 5	2361 C 3	2375 A 3	3309 E 1	3325 E 2	3343 C 8	3359 D 2	3374 A 3	3389 B 2	6309 E 4
1301 E 3	2301 E 2	2317 E 1	2335 C 6	2362 A 2	2376 D 4	3310 C 1	3326 B 2	3345 C 9	3360 A 3	3375 B 3	3390 E 5	6310 E 2
1302 D 5	2302 C 2	2318 C 1	2336 D 6	2363 B 2	2377 B 5	3311 E 1	3327 D 2	3346 B 9	3361 A 3	3376 D 5	3391 E 5	6325 E 2
1303 E 4	2303 E 2	2319 E 2	2337 E 6	2364 A 2	2378 B 5	3312 B 1	3328 C 2	3347 E 2	3362 B 3	3377 E 4	3398 C 4	6326 C 2
1304 D 6	2305 E 1	2320 B 2	2338 C 2	2365 A 1	2379 B 6	3313 E 3	3329 D 3	3349 A 9	3363 B 3	3378 B 5	3399 A 4	6331 E 2
1345 A 9	2306 C 1	2322 D 3	2339 E 2	2366 A 1	2390 E 4	3315 E 2	3331 E 2	3350 A 9	3364 B 3	3379 B 5	5350 D 8	6332 C 2
1346 B 9	2307 E 1	2323 D 1	2343 B 9	2367 A 3	2391 B 2	3316 C 2	3333 E 4	3351 A 9	3365 A 2	3380 E 4	6301 D 2	6335 D 1
1350 E 9	2308 C 1	2324 B 1	2344 B 9	2368 A 3	3301 E 3	3317 E 1	3334 D 1	3352 C 1	3367 C 4	3382 B 5	6302 D 2	6340 A 9
1352 E 9	2309 E 1	2327 E 6	2345 B 9	2369 B 4	3302 E 3	3318 C 1	3335 E 3	3353 E 1	3368 C 4	3383 B 5	6303 D 2	6341 A 9
1355 E 7	2310 C 1	2328 E 6	2351 E 9	2370 D 4	3303 E 3	3319 E 2	3336 D 6	3354 B 9	3369 A 5	3384 C 4	6304 D 2	6342 A 9
1356 A 8	2311 E 1	2329 D 1	2357 A 4	2371 C 5	3304 E 3	3320 C 2	3337 E 6	3355 D 1	3370 A 5	3385 B 4	6305 E 2	6343 A 9

1

2

3

4

5

COMPONENT SIDE VIEW

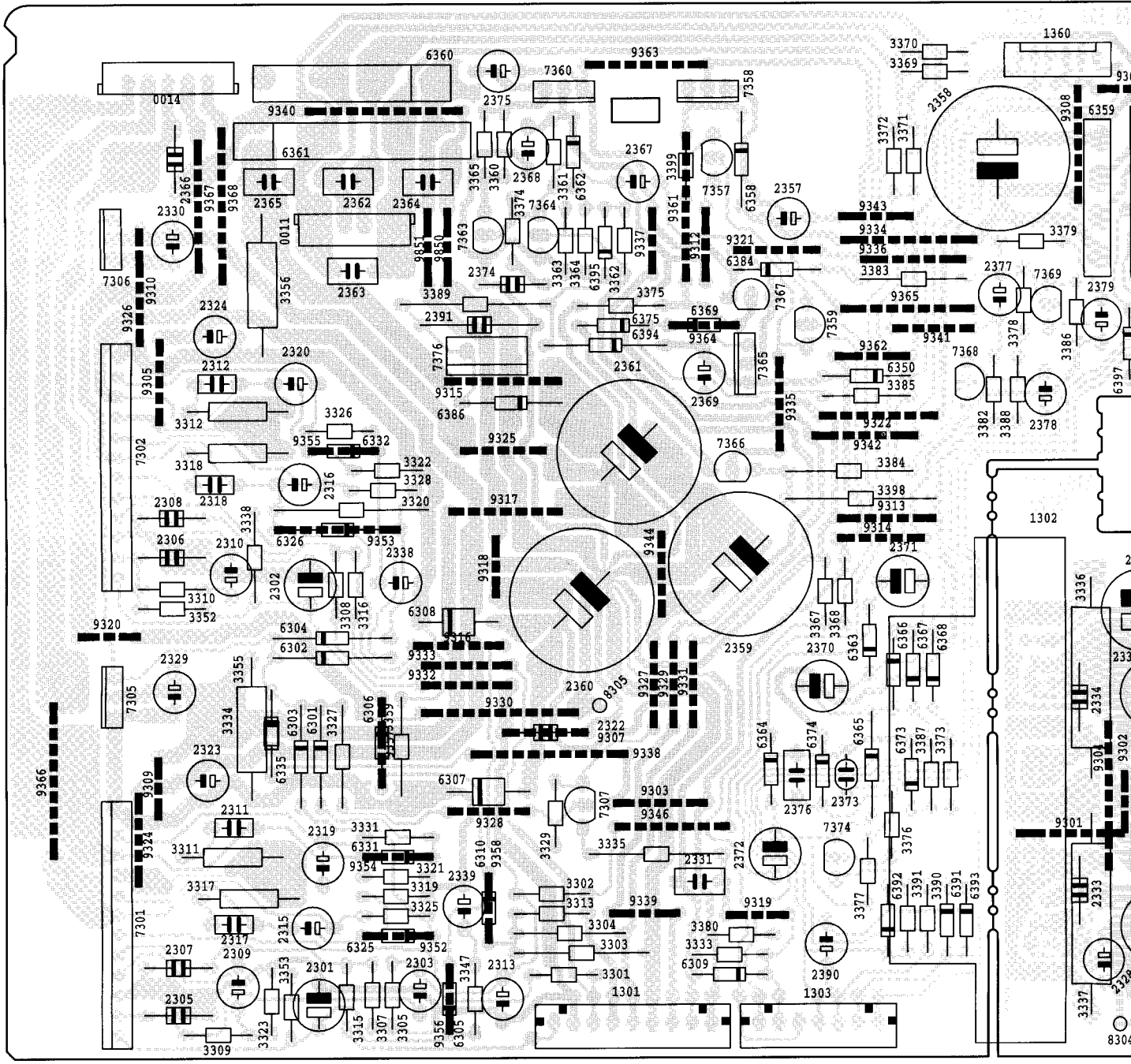
A

B

C

D

E



1

2

3

4

5

56 B 1	3371 A 5	3386 B 5	6306 D 2	6344 B 9	6365 D 4	6395 B 3	7359 B 4	9302 D 6	9318 C 3	9332 D 2	9350 C 9	9365 B 5
57 C 9	3372 A 5	3387 D 5	6307 D 2	6345 B 9	6366 D 5	6396 B 6	7360 A 3	9303 D 3	9319 E 4	9333 D 2	9351 D 7	9366 D 1
58 B 9	3373 D 5	3388 B 5	6308 C 2	6350 B 4	6367 D 5	6397 B 6	7363 B 2	9304 D 6	9320 D 1	9334 B 5	9352 E 2	9367 A 1
59 D 2	3374 A 3	3389 B 2	6309 E 4	6351 D 9	6368 D 5	7301 E 1	7364 B 3	9305 B 1	9321 B 4	9335 B 4	9353 C 2	9368 A 1
60 A 3	3375 B 3	3390 E 5	6310 E 2	6352 D 9	6369 B 4	7302 C 1	7365 B 4	9307 D 3	9322 B 4	9336 B 5	9354 E 2	9850 B 2
61 A 3	3376 D 5	3391 E 5	6325 E 2	6353 D 9	6373 D 5	7305 D 1	7366 C 4	9308 A 5	9323 E 6	9337 B 3	9355 C 2	9851 B 2
62 B 3	3377 E 4	3398 C 4	6326 C 2	6354 D 9	6374 D 4	7306 B 1	7367 B 4	9309 D 1	9324 E 1	9338 D 3	9356 E 2	
63 B 3	3378 B 5	3399 A 4	6331 E 2	6358 A 4	6375 B 3	7307 D 3	7368 B 5	9310 B 1	9325 C 3	9339 E 3	9357 D 2	
64 B 3	3379 B 5	5350 D 8	6332 C 2	6359 A 6	6384 B 4	7342 B 9	7369 B 5	9312 B 4	9326 B 1	9340 A 2	9358 E 2	
65 A 2	3380 E 4	6301 D 2	6335 D 1	6360 A 2	6386 B 3	7351 C 9	7374 E 4	9313 C 5	9327 D 3	9341 B 5	9360 A 6	
67 C 4	3382 B 5	6302 D 2	6326 A 9	6361 A 2	6391 E 5	7352 C 9	7376 B 2	9314 C 4	9328 D 2	9342 C 4	9361 A 4	
68 C 4	3383 B 5	6303 D 2	6341 A 9	6362 A 3	6392 E 5	7353 A 9	8304 E 6	9315 B 3	9329 D 3	9343 A 4	9362 B 4	
69 A 5	3384 C 4	6304 D 2	6342 A 9	6363 D 4	6393 E 5	7357 A 4	8305 D 3	9316 D 2	9330 D 3	9344 C 3	9363 A 3	
70 A 5	3385 B 4	6305 E 2	6343 A 9	6364 D 4	6394 B 3	7358 A 4	9301 E 5	9317 C 3	9331 D 4	9346 E 3	9364 B 4	

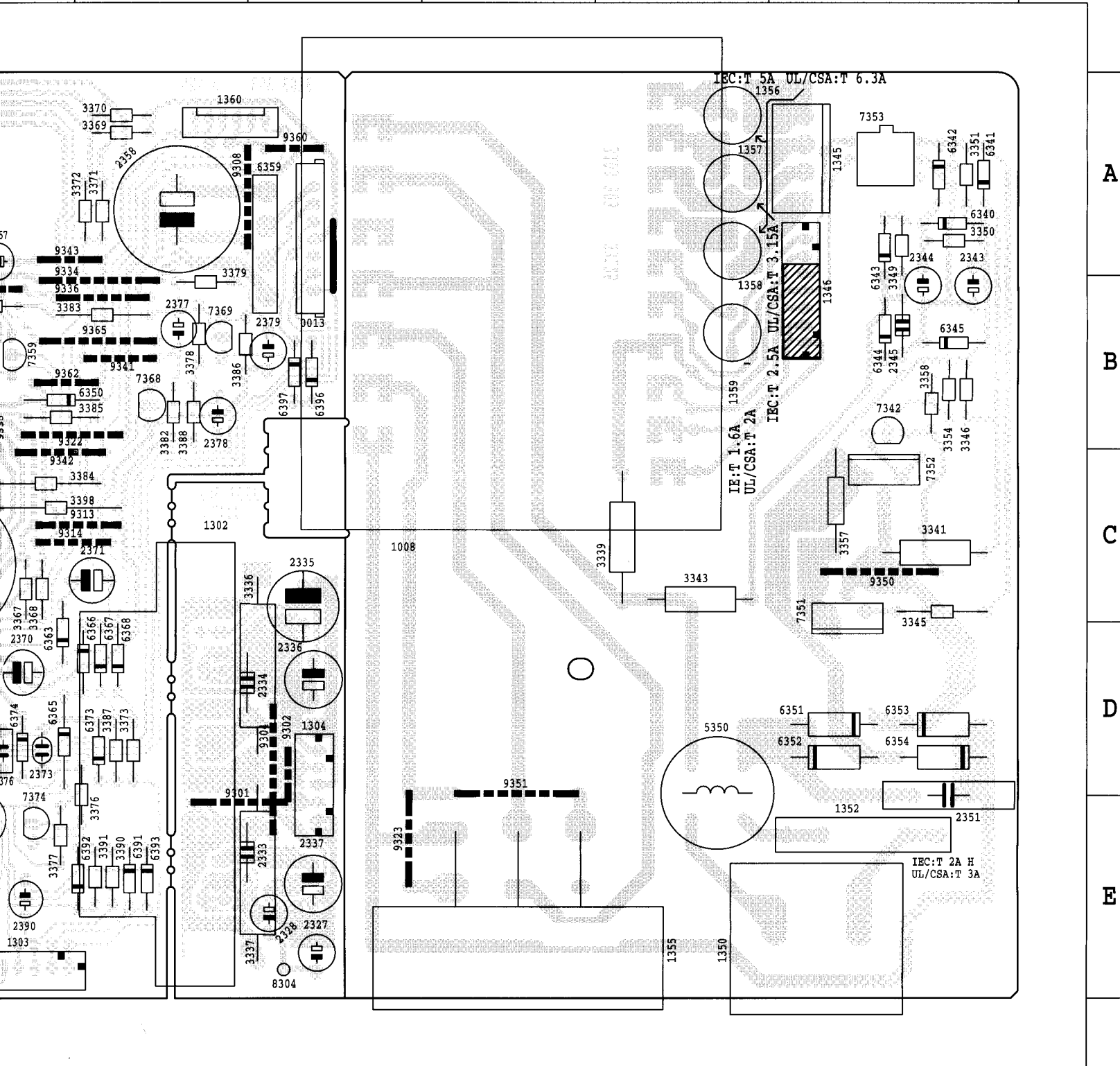
5

6

7

8

9



A

B

C

D

E

5

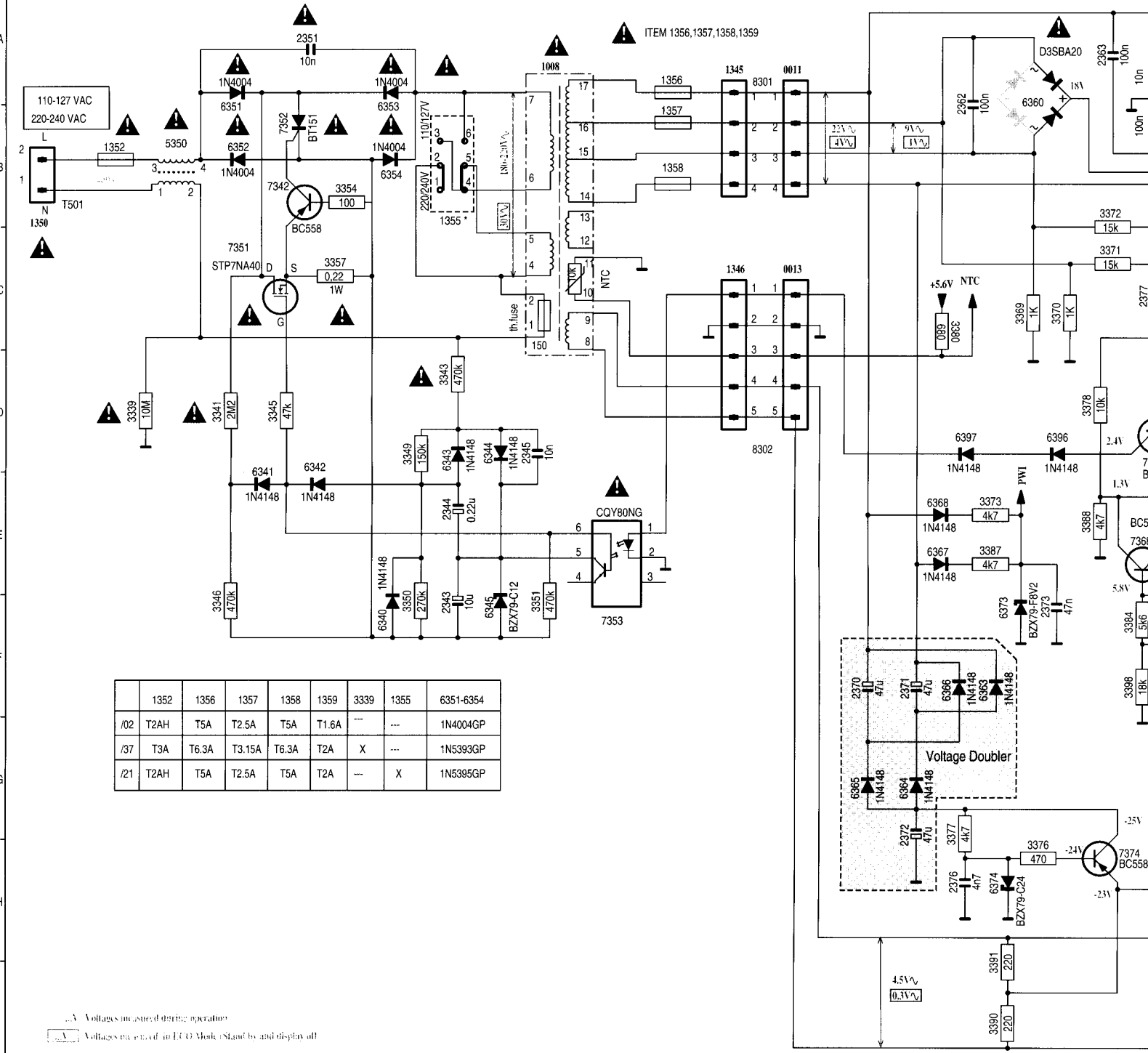
6

7

8

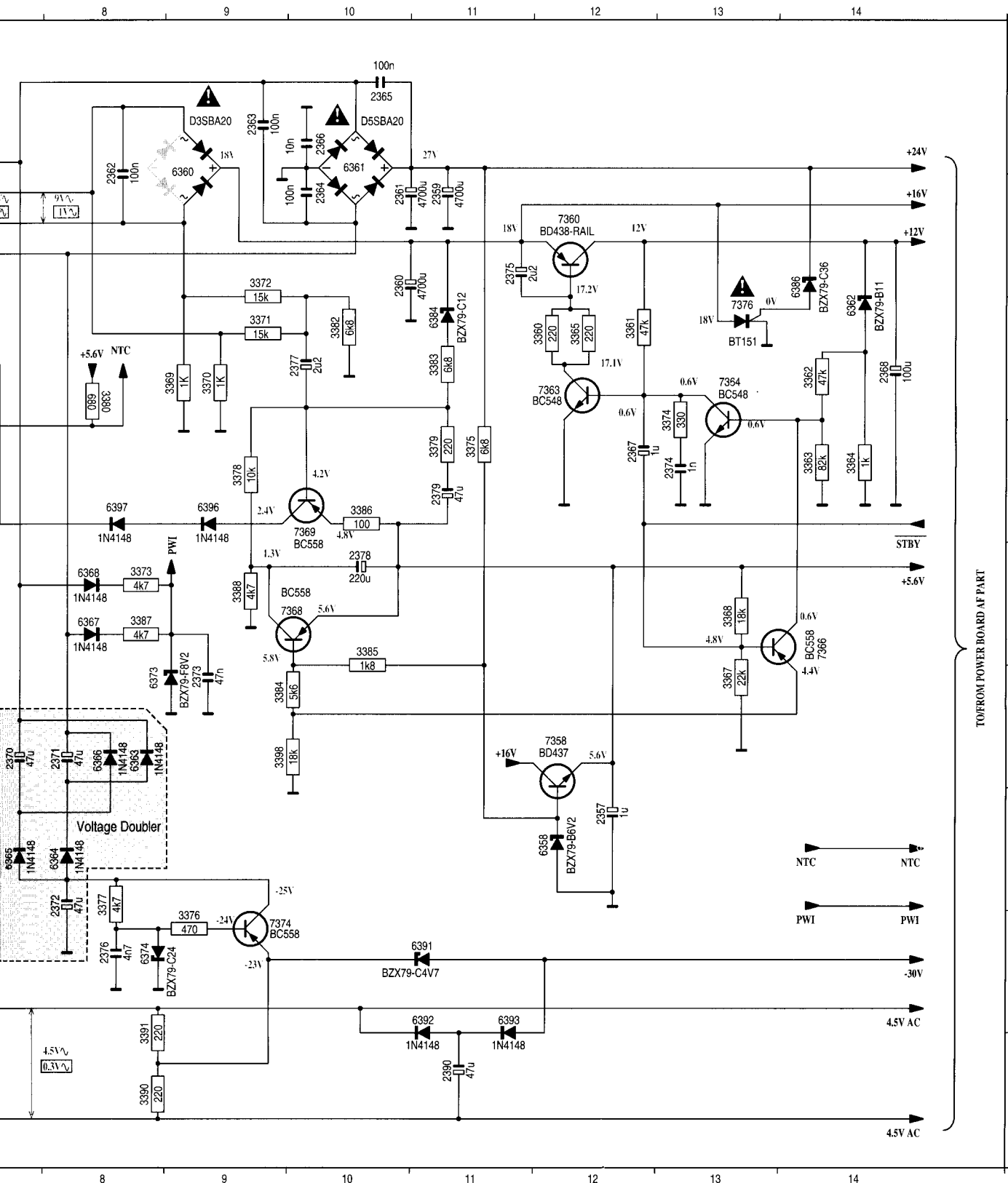
9

POWER BOARD SUPPLY PART



	1352	1356	1357	1358	1359	3339	1355	6351-6354
/02	T2AH	T5A	T2.5A	T5A	T1.6A	---	---	1N4004GP
/37	T3A	T6.3A	T3.15A	T6.3A	T2A	X	---	1N5393GP
/21	T2AH	T5A	T2.5A	T5A	T2A	---	X	1N5395GP

⚡ Voltages measured during operation
 ⚡ Voltages measured in ECO Mode (Stand by and display off)



- TO/FROM POWER BOARD AF PART
- A 0011 A 7
 - 0013 B 7
 - 1008 A 5
 - 1345 A 6
 - 1346 B 6
 - 1350 B 1
 - 1352 B 1
 - 1355 B 4
 - 1356 A 6
 - 1357 B 6
 - 1358 B 6
 - 2343 F 4
 - 2344 E 4
 - 2345 D 5
 - 2351 A 3
 - 2357 G12
 - 2359 B11
 - 2360 B10
 - 2361 B10
 - 2362 A 8
 - 2363 A 9
 - 2364 B10
 - 2365 A10
 - 2366 A10
 - 2367 D12
 - 2368 C14
 - 2370 F 7
 - 2371 F 8
 - 2372 G 8
 - 2373 F 9
 - 2374 D13
 - 2375 B11
 - 2376 H 8
 - 2377 C10
 - 2378 E10
 - 2379 D11
 - 2390 I11
 - 3339 D 1
 - 3341 D 2
 - 3343 D 4
 - 3345 D 2
 - 3346 F 2
 - 3349 D 4
 - 3350 F 4
 - 3351 F 5
 - 3354 B 3
 - 3355 C 3
 - 3358 C 3
 - 3360 C12
 - 3361 C12
 - 3362 C14
 - 3363 D14
 - 3364 D14
 - 3365 C12
 - 3367 F13
 - 3368 E13
 - 3369 C 9
 - 3370 C 9
 - 3371 C 9
 - 3372 B 9
 - 3373 E 8
 - 3374 C13
 - 3375 D11
 - 3376 H 9
 - 3377 G 8
 - 3378 D 9
 - 3379 D11
 - 3380 C 8
 - 3382 C10
 - 3383 C11
 - 3384 F 9
 - 3385 E10
 - 3386 D10
 - 3387 E 8
 - 3388 E 9
 - 3390 I 8
 - 3391 H 8
 - 3398 F 9
 - 5350 B 2
 - 6340 F 3
 - 6341 E 2
 - 6342 D 3
 - 6343 D 4
 - 6344 D 4
 - 6345 F 4
 - 6351 B 2
 - 6352 B 3
 - 6353 B 3
 - 6354 B 3
 - 6358 G12
 - 6360 A 9
 - 6361 A10
 - 6362 C14
 - 6363 F 8
 - 6364 G 8
 - 6365 G 7
 - 6366 F 8
 - 6367 E 8
 - 6368 E 8
 - 6373 F 8
 - 6374 H 8
 - 6384 C11
 - 6386 B14
 - 6391 H11
 - 6392 H11
 - 6393 H11
 - 6396 D 9
 - 6397 D 8
 - 7342 B 3
 - 7351 C 2
 - 7352 B 3
 - 7353 F 5
 - 7358 F12
 - 7360 B12
 - 7363 C12
 - 7364 C13
 - 7366 E14
 - 7368 E 9
 - 7369 D10
 - 7374 H 9
 - 7376 C13
 - 9363 F11
 - 9365 G12

0011 A 2	1357 A 8	2312 B 1	2330 B 1	2358 A 5	2372 E 4	3305 E 2	3321 E 2	3338 C 1	3356 B 1	3371 A 5	3386 B 5	6306 D 2
0013 A 6	1358 A 8	2313 E 3	2331 E 4	2359 C 4	2373 D 4	3307 E 2	3322 C 2	3339 C 8	3357 C 9	3372 A 5	3387 D 5	6307 D 2
0014 A 1	1359 B 8	2315 E 2	2333 E 5	2360 C 3	2374 B 3	3308 C 2	3323 E 1	3341 C 9	3358 B 9	3373 D 5	3388 B 5	6308 C 2
1008 B 7	1360 A 5	2316 C 2	2334 D 5	2361 C 3	2375 A 3	3309 E 1	3325 E 2	3343 C 8	3359 D 2	3374 A 3	3389 B 2	6309 E 4
1301 E 3	2301 E 2	2317 E 1	2335 C 6	2362 A 2	2376 D 4	3310 C 1	3326 B 2	3345 C 9	3360 A 3	3375 B 3	3390 E 5	6310 E 2
1302 D 5	2302 C 2	2318 C 1	2336 D 6	2363 B 2	2377 B 5	3311 E 1	3327 D 2	3346 B 9	3361 A 3	3376 D 5	3391 E 5	6325 E 2
1303 E 4	2303 E 2	2319 E 2	2337 E 6	2364 A 2	2378 B 5	3312 B 1	3328 C 2	3347 E 2	3362 B 3	3377 E 4	3398 C 4	6326 C 2
1304 D 6	2305 E 1	2320 B 2	2338 C 2	2365 A 1	2379 B 6	3313 E 3	3329 D 3	3349 A 9	3363 B 3	3378 B 5	3399 A 4	6331 E 2
1345 A 9	2306 C 1	2322 D 3	2339 E 2	2366 A 1	2390 E 4	3315 E 2	3331 E 2	3350 A 9	3364 B 3	3379 B 5	5350 D 8	6332 C 2
1346 B 9	2307 E 1	2323 D 1	2343 B 9	2367 A 3	2391 B 2	3316 C 2	3333 E 4	3351 A 9	3365 A 2	3380 E 4	6301 D 2	6335 D 1
1350 E 9	2308 C 1	2324 B 1	2344 B 9	2368 A 3	3301 E 3	3317 E 1	3334 D 1	3352 C 1	3367 C 4	3382 B 5	6302 D 2	6340 A 9
1352 E 9	2309 E 1	2327 E 6	2345 B 9	2369 B 4	3302 E 3	3318 C 1	3335 E 3	3353 E 1	3368 C 4	3383 B 5	6303 D 2	6341 A 9
1355 E 7	2310 C 1	2328 E 6	2351 E 9	2370 D 4	3303 E 3	3319 E 2	3336 D 6	3354 B 9	3369 A 5	3384 C 4	6304 D 2	6342 A 9
1356 A 8	2311 E 1	2329 D 1	2357 A 4	2371 C 5	3304 E 3	3320 C 2	3337 E 6	3355 D 1	3370 A 5	3385 B 4	6305 E 2	6343 A 9

1

2

3

4

5

COMPONENT SIDE VIEW

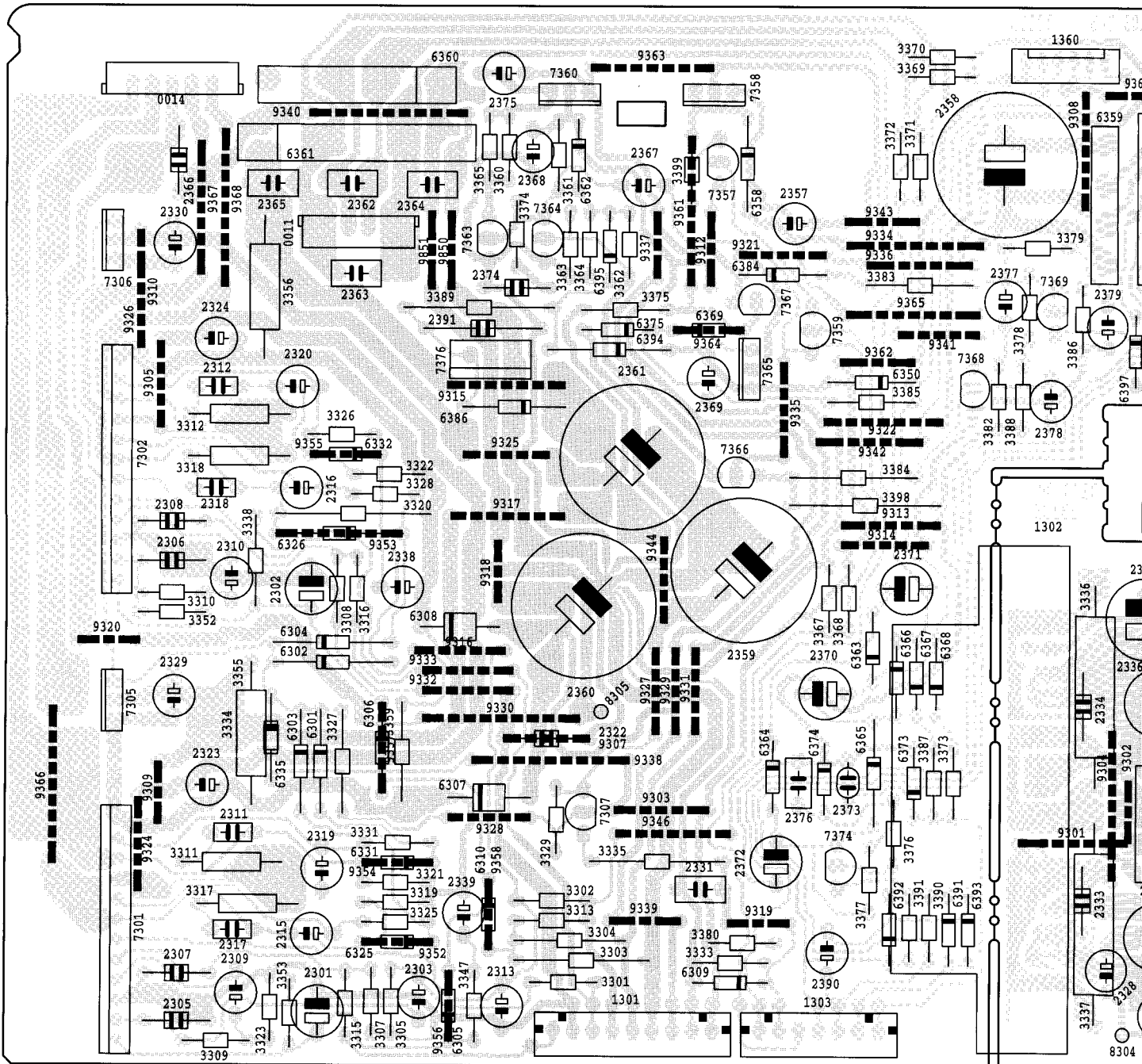
A

B

C

D

E



1

2

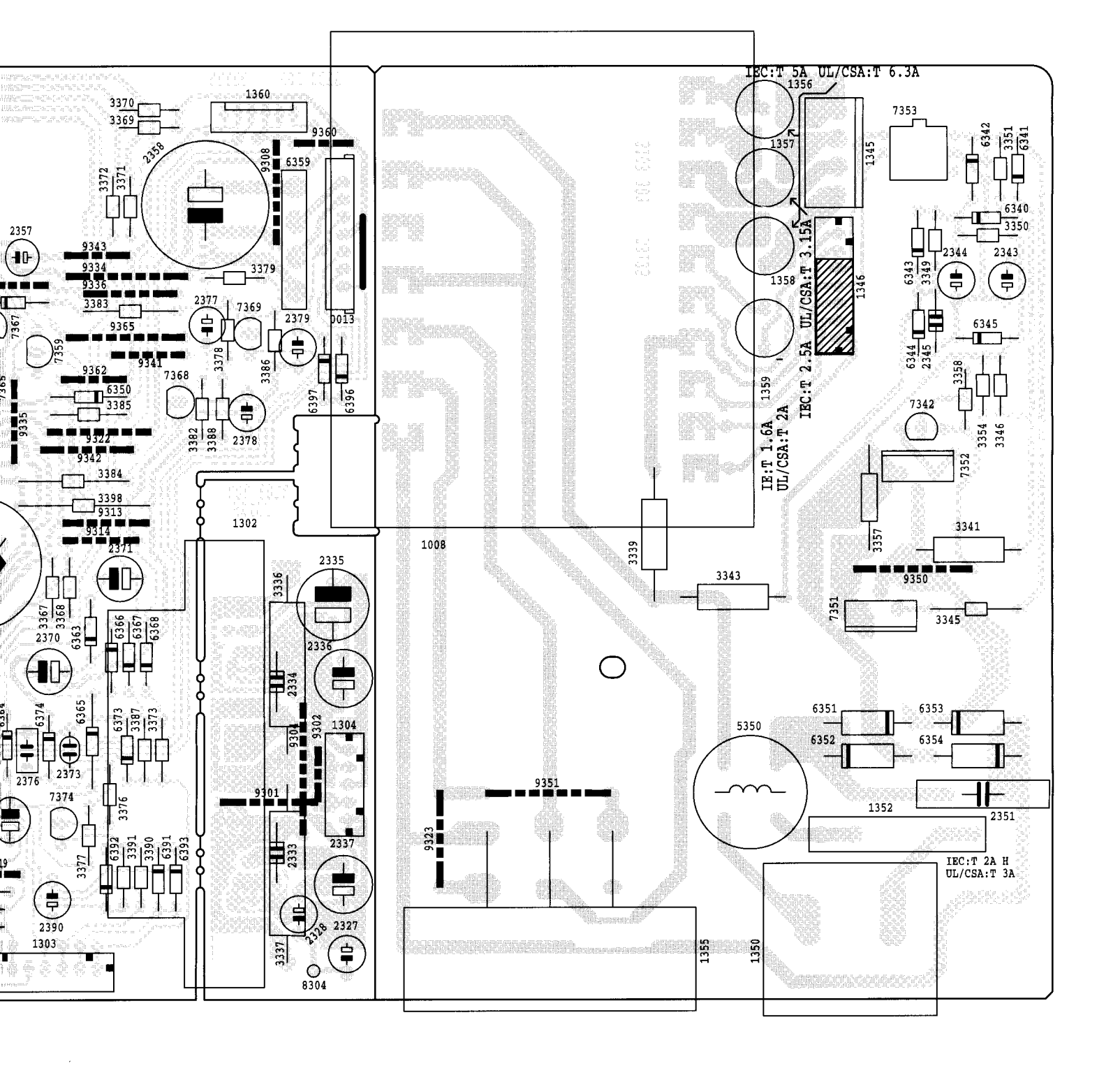
3

4

5

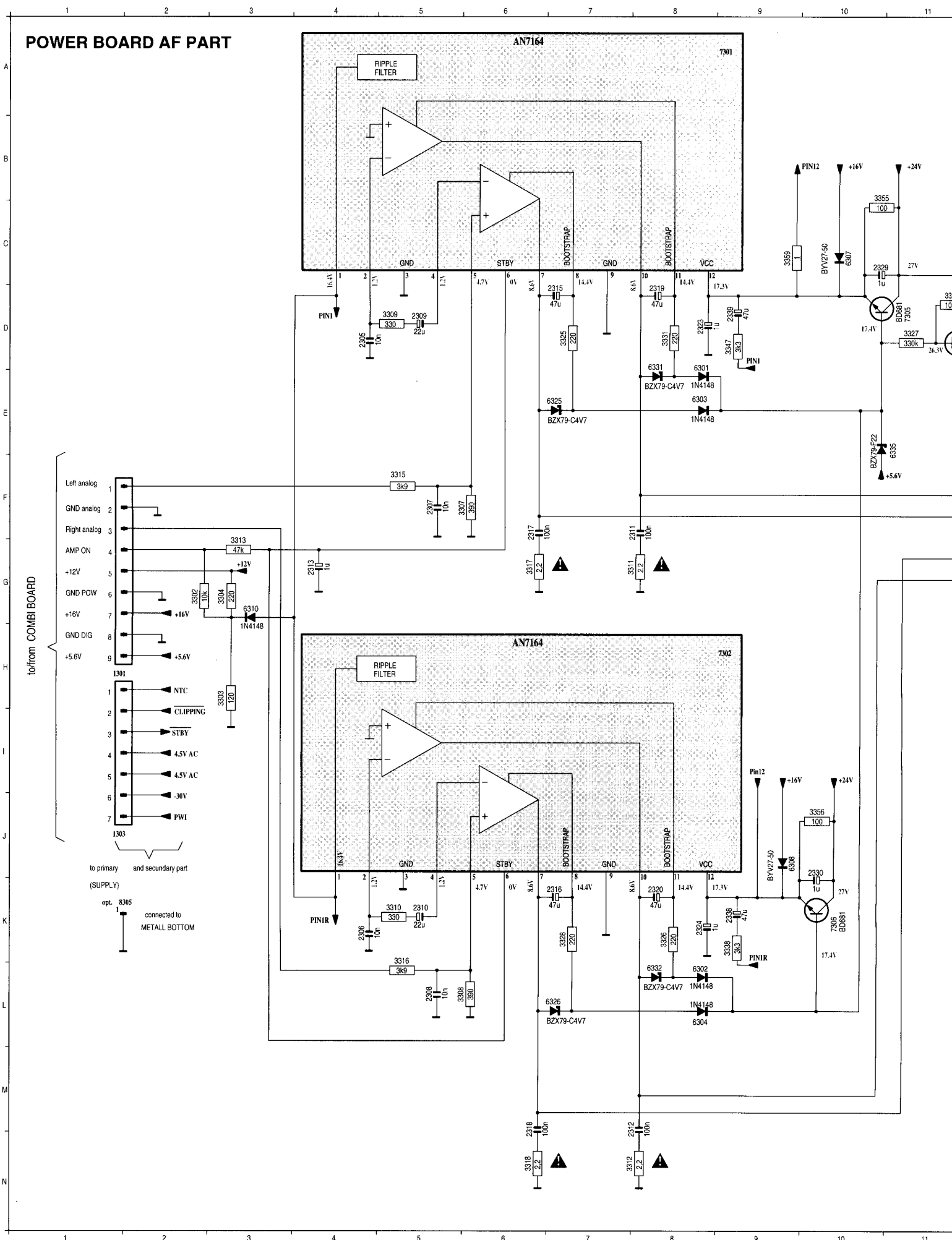
3356 B 1	3371 A 5	3386 B 5	6306 D 2	6344 B 9	6365 D 4	6395 B 3	7359 B 4	9302 D 6	9318 C 3	9332 D 2	9350 C 9	9365 B 5
3357 C 9	3372 A 5	3387 D 5	6307 D 2	6345 B 9	6366 D 5	6396 B 6	7360 A 3	9303 D 3	9319 E 4	9333 D 2	9351 D 7	9366 D 1
3358 B 9	3373 D 5	3388 B 5	6308 C 2	6350 B 4	6367 D 5	6397 B 6	7363 B 2	9304 D 6	9320 D 1	9334 B 5	9352 E 2	9367 A 1
3359 D 2	3374 A 3	3389 B 2	6309 E 4	6351 D 9	6368 D 5	7301 E 1	7364 B 3	9305 B 1	9321 B 4	9335 B 4	9353 C 2	9368 A 1
3360 A 3	3375 B 3	3390 E 5	6310 E 2	6352 D 9	6369 B 4	7302 C 1	7365 B 4	9307 D 3	9322 B 4	9336 B 5	9354 E 2	9850 B 2
3361 A 3	3376 D 5	3391 E 5	6325 E 2	6353 D 9	6373 D 5	7305 D 1	7366 C 4	9308 A 5	9323 E 6	9337 B 3	9355 C 2	9851 B 2
3362 B 3	3377 E 4	3398 C 4	6326 C 2	6354 D 9	6374 D 4	7306 B 1	7367 B 4	9309 D 1	9324 E 1	9338 D 3	9356 E 2	
3363 B 3	3378 B 5	3399 A 4	6331 E 2	6358 A 4	6375 B 3	7307 D 3	7368 B 5	9310 B 1	9325 C 3	9339 E 3	9357 D 2	
3364 B 3	3379 B 5	5350 D 8	6332 C 2	6359 A 6	6384 B 4	7342 B 9	7369 B 5	9312 B 4	9326 B 1	9340 A 2	9358 E 2	
3365 A 2	3380 E 4	6301 D 2	6335 D 1	6360 A 2	6386 B 3	7351 C 9	7374 E 4	9313 C 5	9327 D 3	9341 B 5	9360 A 6	
3367 C 4	3382 B 5	6302 D 2	6340 A 9	6361 A 2	6391 E 5	7352 C 9	7376 B 2	9314 C 4	9328 D 2	9342 C 4	9361 A 4	
3368 C 4	3383 B 5	6303 D 2	6341 A 9	6362 A 3	6392 E 5	7353 A 9	8304 E 6	9315 B 3	9329 D 3	9343 A 4	9362 B 4	
3369 A 5	3384 C 4	6304 D 2	6342 A 9	6363 D 4	6393 E 5	7357 A 4	8305 D 3	9316 D 2	9330 D 3	9344 C 3	9363 A 3	
3370 A 5	3385 B 4	6305 E 2	6343 A 9	6364 D 4	6394 B 3	7358 A 4	9301 E 5	9317 C 3	9331 D 4	9346 E 3	9364 B 4	

4 5 6 7 8 9



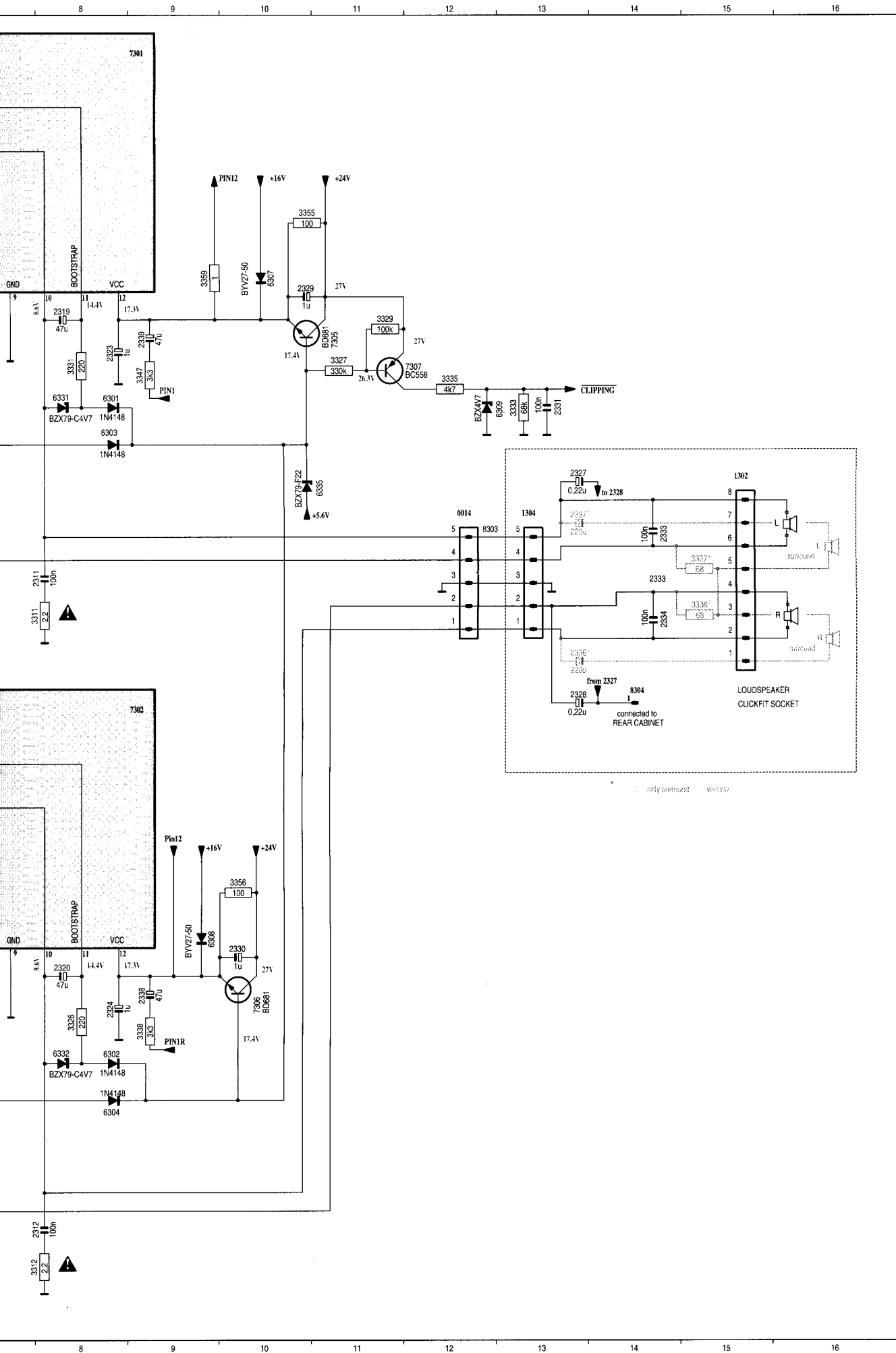
4 5 6 7 8 9

POWER BOARD AF PART



to/from COMBI BOARD

to primary and secondary part (SUPPLY)
 opt. 8305 connected to METALL BOTTOM



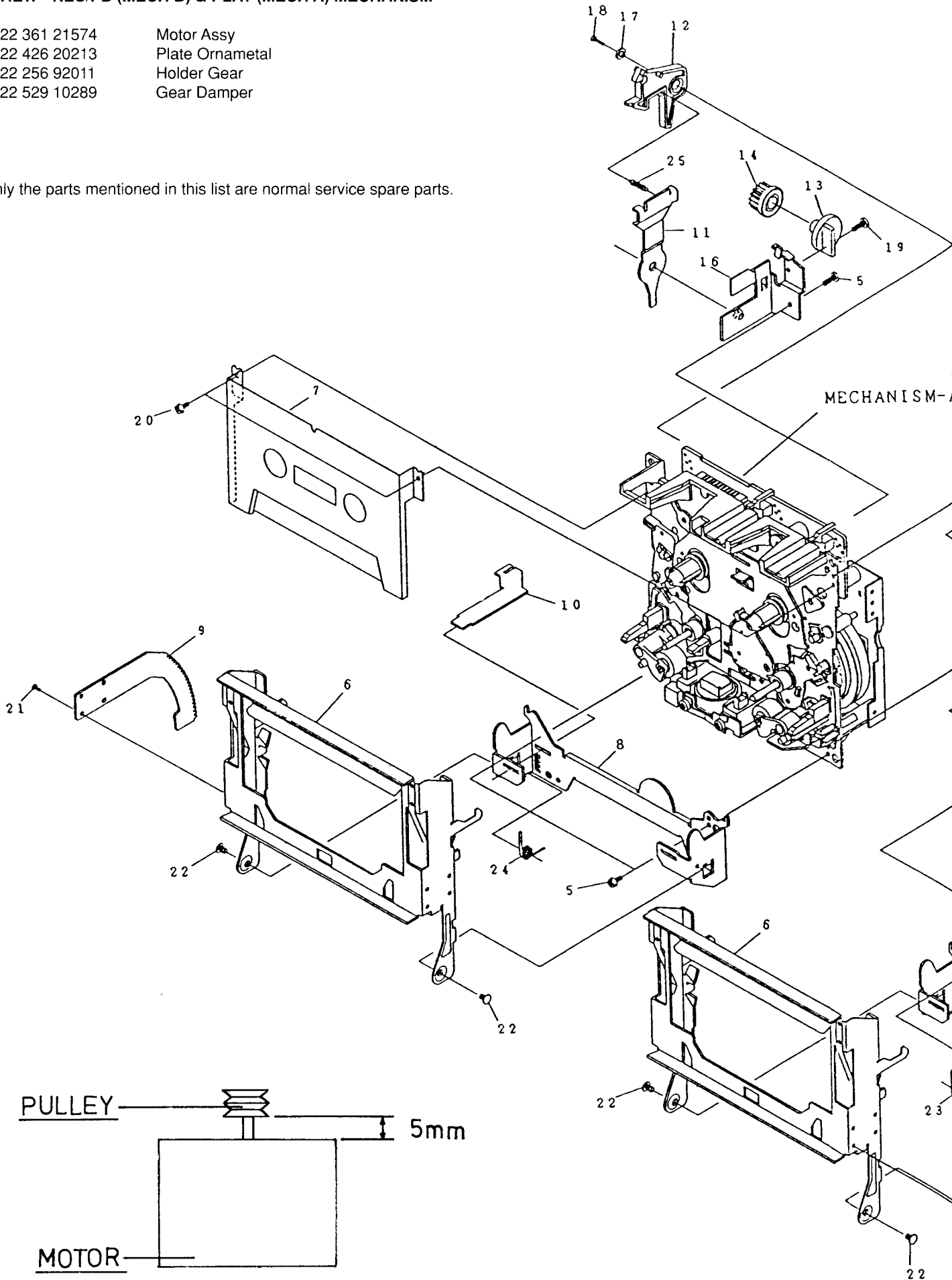
- 0014 F12
- 1301 H1
- 1302 E15
- 1303 J1
- 1304 F13
- 2303 D4
- 2305 G5
- 2306 K5
- 2307 F5
- 2308 L5
- 2309 D5
- 2310 K5
- 2311 F8
- 2312 M8
- 2313 G4
- 2315 D7
- 2316 K7
- 2317 F6
- 2318 M6
- 2319 D8
- 2320 K8
- 2323 D8
- 2324 K8
- 2327 E13
- 2328 H13
- 2329 C10
- 2330 J10
- 2331 E16
- 2333 E14
- 2334 G14
- 2335 H15
- 2336 G13
- 2337 F13
- 2338 K9
- 2339 D9
- 3301 D4
- 3302 G2
- 3303 K3
- 3304 G3
- 3305 E4
- 3307 F6
- 3308 L6
- 3309 D5
- 3310 K5
- 3311 G8
- 3312 N8
- 3313 G3
- 3315 F5
- 3316 L5
- 3317 G6
- 3318 N6
- 3323 E5
- 3325 D7
- 3326 K8
- 3327 D11
- 3328 K7
- 3329 D11
- 3331 D8
- 3333 E13
- 3335 D12
- 3336 G15
- 3337 F15
- 3338 K9
- 3347 D9
- 3352 K4
- 3355 B10
- 3356 J10
- 3359 C9
- 6301 E8
- 6302 L8
- 6303 E8
- 6304 L8
- 6305 D2
- 6306 K4
- 6307 C10
- 6308 J9
- 6309 E12
- 6325 E7
- 6326 L7
- 6331 D8
- 6332 L8
- 6335 E11
- 7301 A9
- 7302 G8
- 7305 D11
- 7306 K10
- 7307 D12
- 8304 H14
- 8305 K1

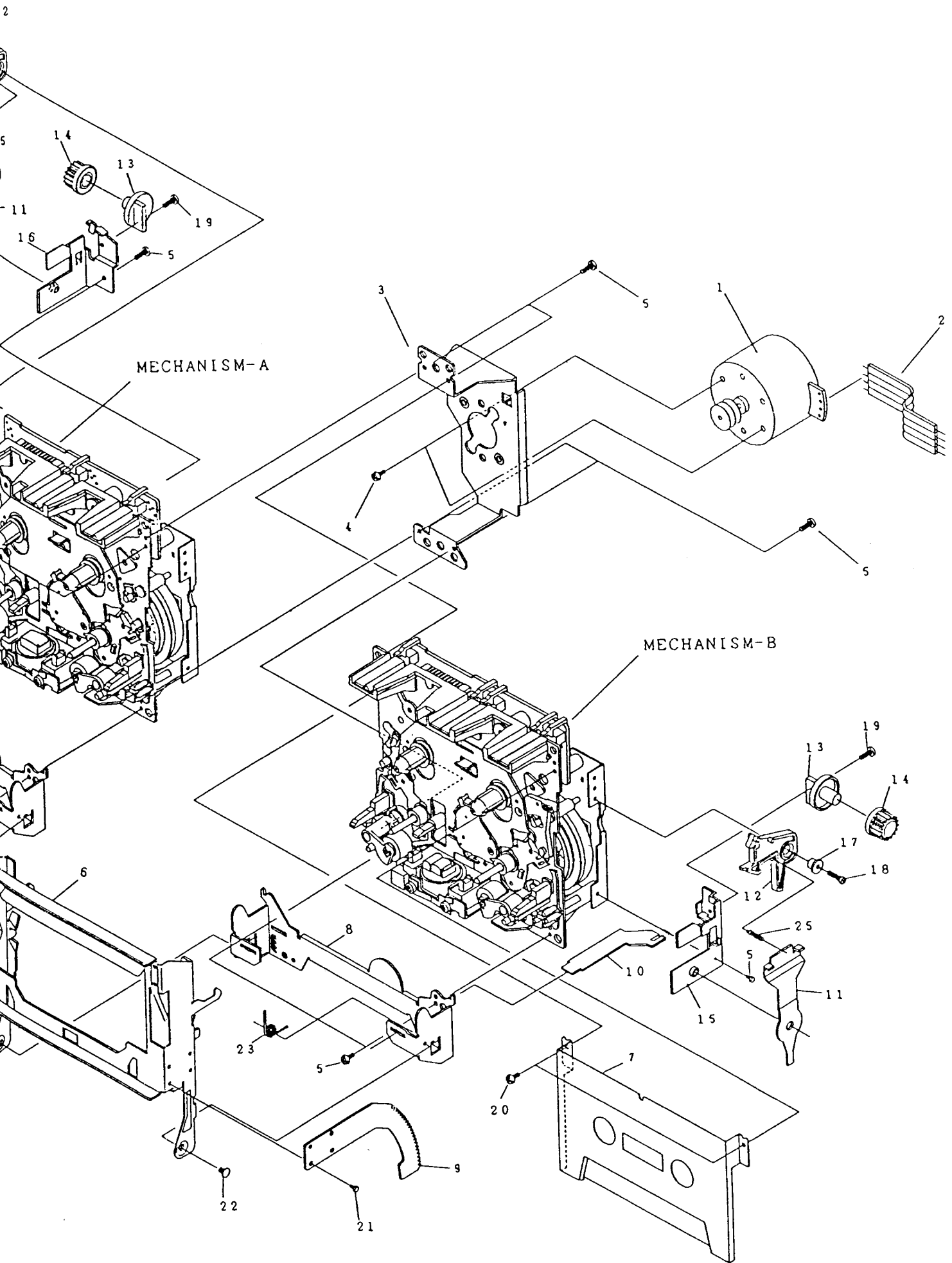
- A
- B
- C
- D
- E
- F
- G
- H
- I
- J
- K
- L
- M
- N

EXPLODED VIEW - REC/PB (MECH B) & PLAY (MECH A) MECHANISM

1	4822 361 21574	Motor Assy
7	4822 426 20213	Plate Ornametal
13	4822 256 92011	Holder Gear
14	4822 529 10289	Gear Damper

Note: Only the parts mentioned in this list are normal service spare parts.

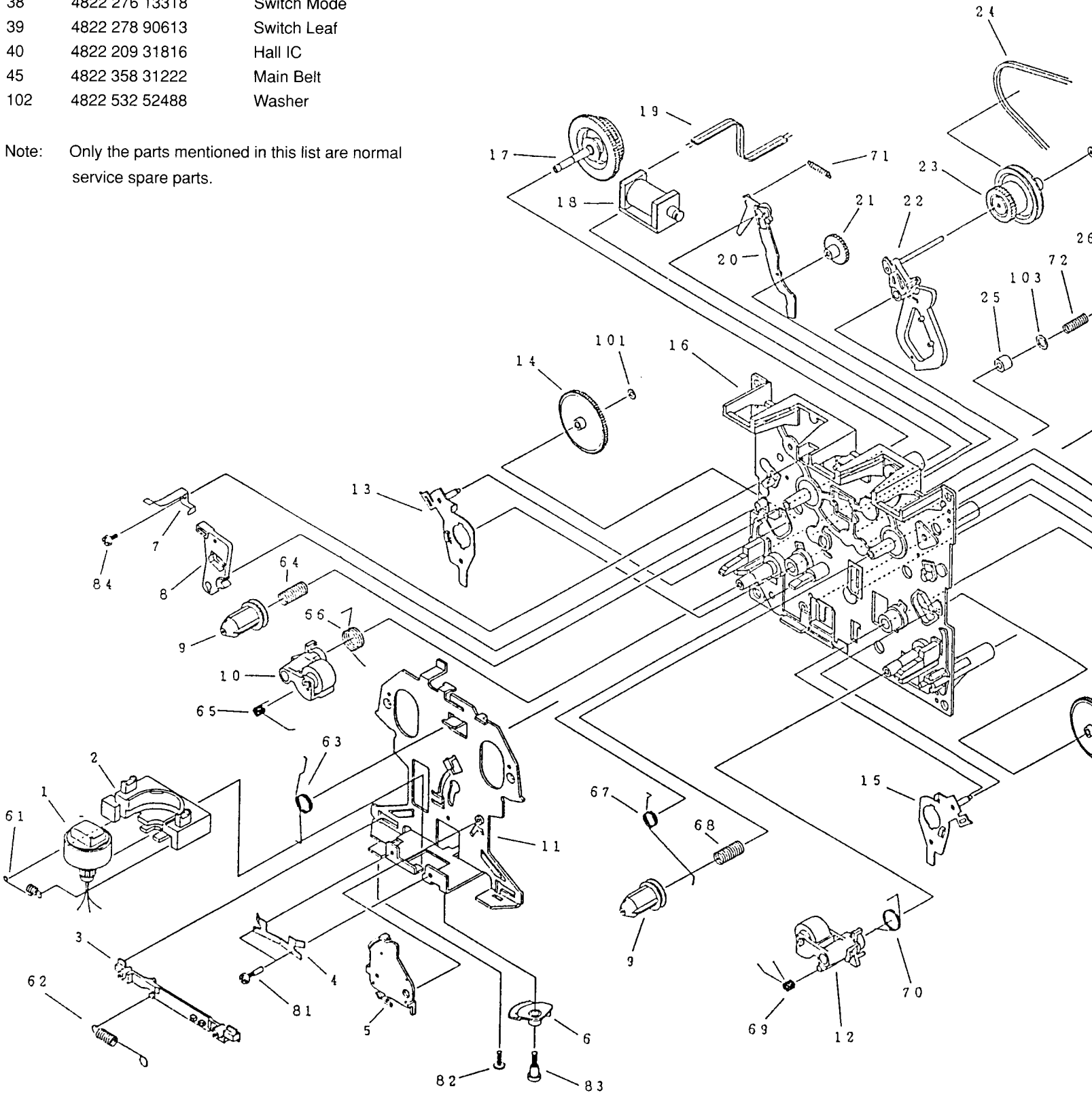


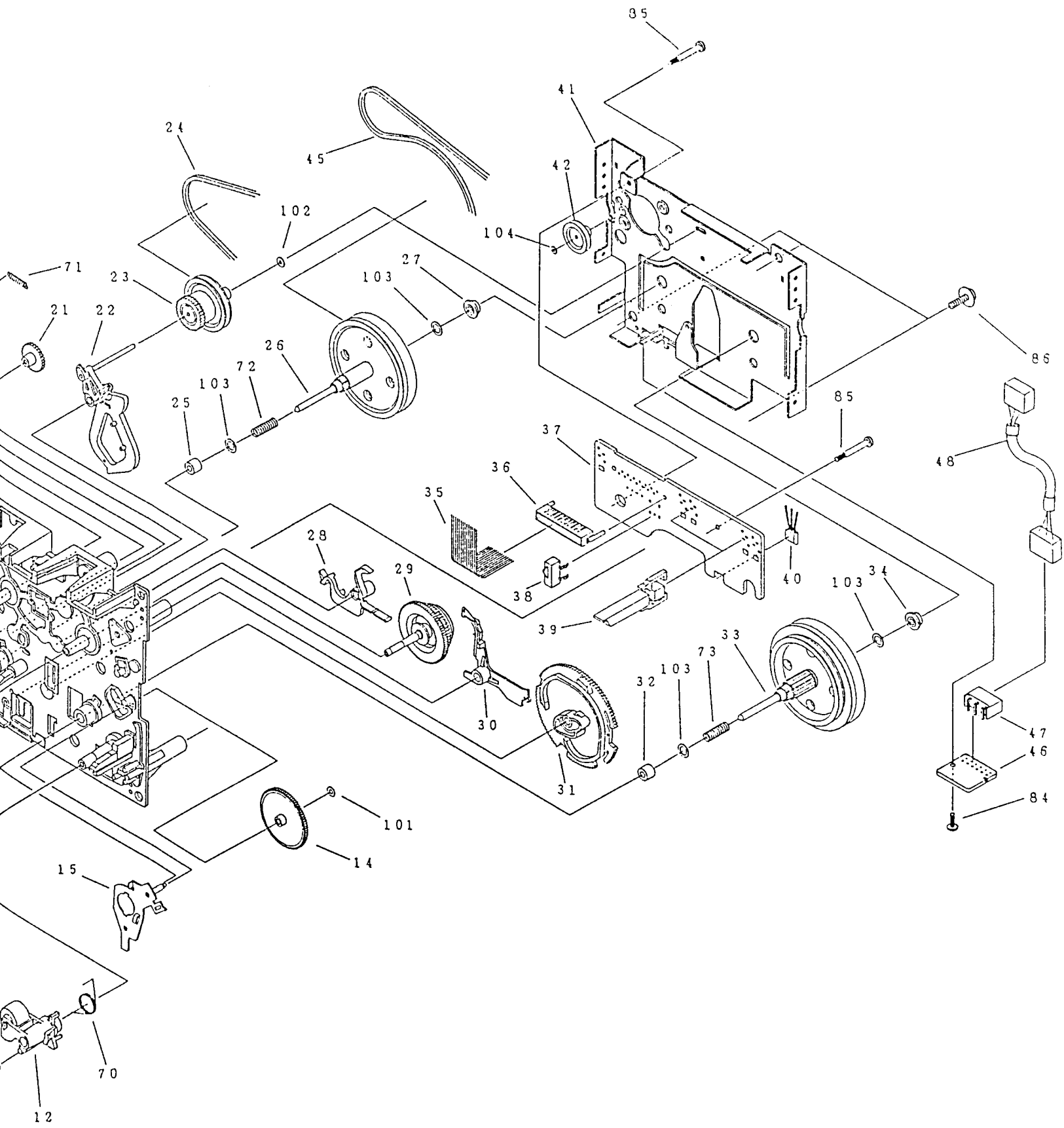


EXPLODED VIEW - PLAY (MECH A) MECHANISM

1	4822 249 30189	Play Head Assy
10	4822 403 70729	Pinch Arm Assy L
12	4822 403 70731	Pinch Arm Assy R
18	4822 157 70155	Solenoid
24	4822 358 31219	Belt FR
38	4822 276 13318	Switch Mode
39	4822 278 90613	Switch Leaf
40	4822 209 31816	Hall IC
45	4822 358 31222	Main Belt
102	4822 532 52488	Washer

Note: Only the parts mentioned in this list are normal service spare parts.

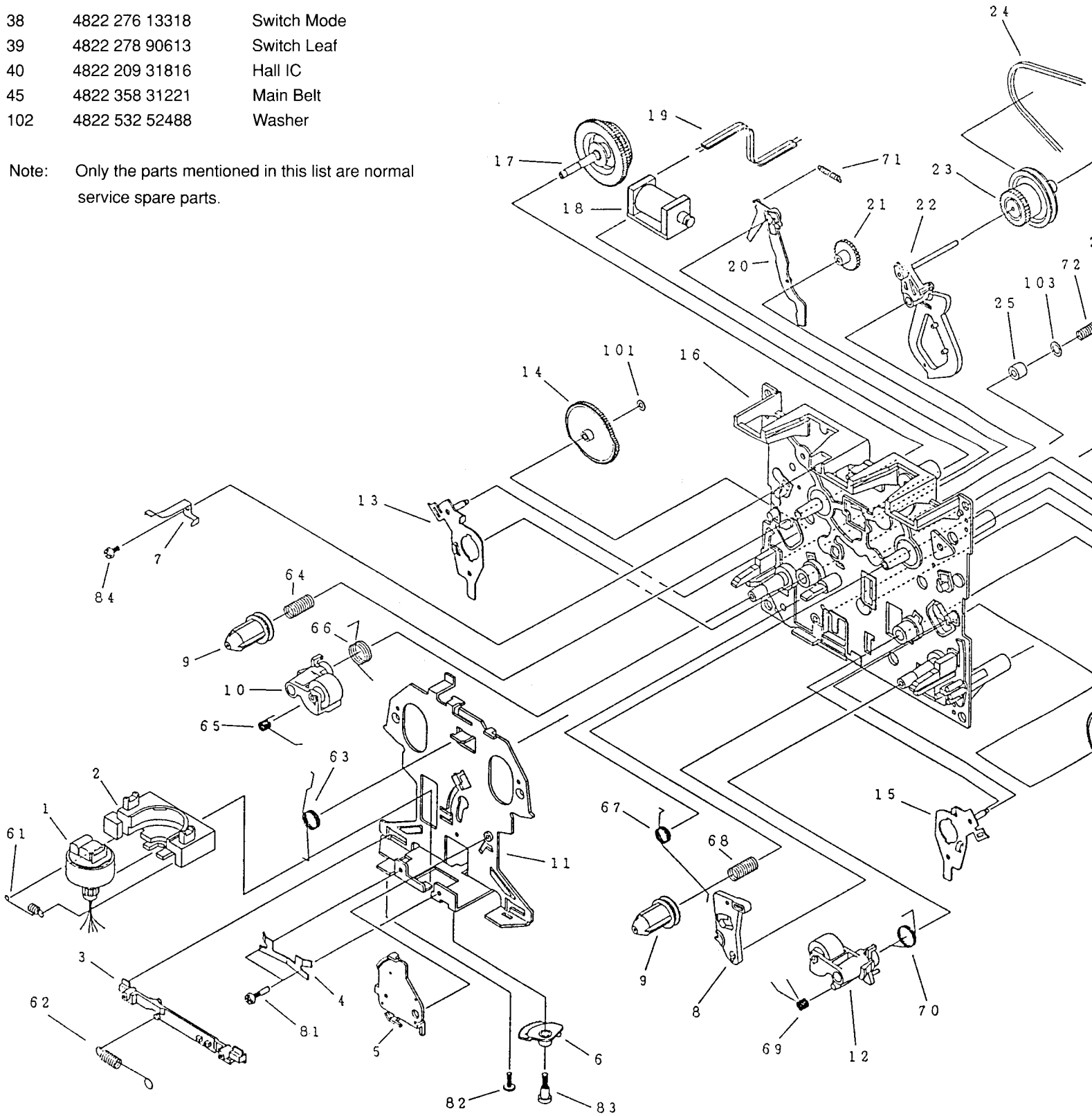


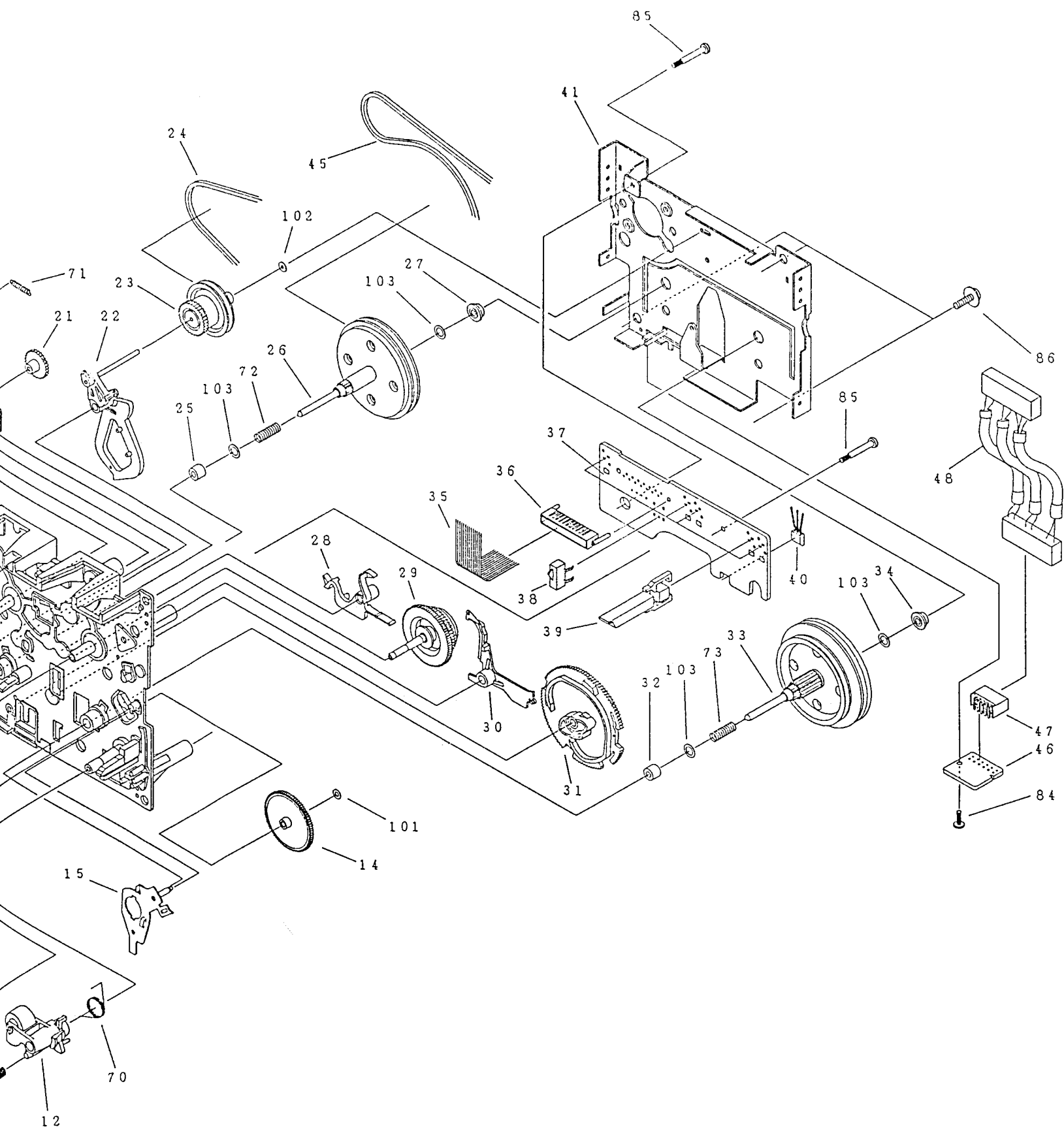


EXPLODED VIEW - REC/PB (MECH B) MECHANISM

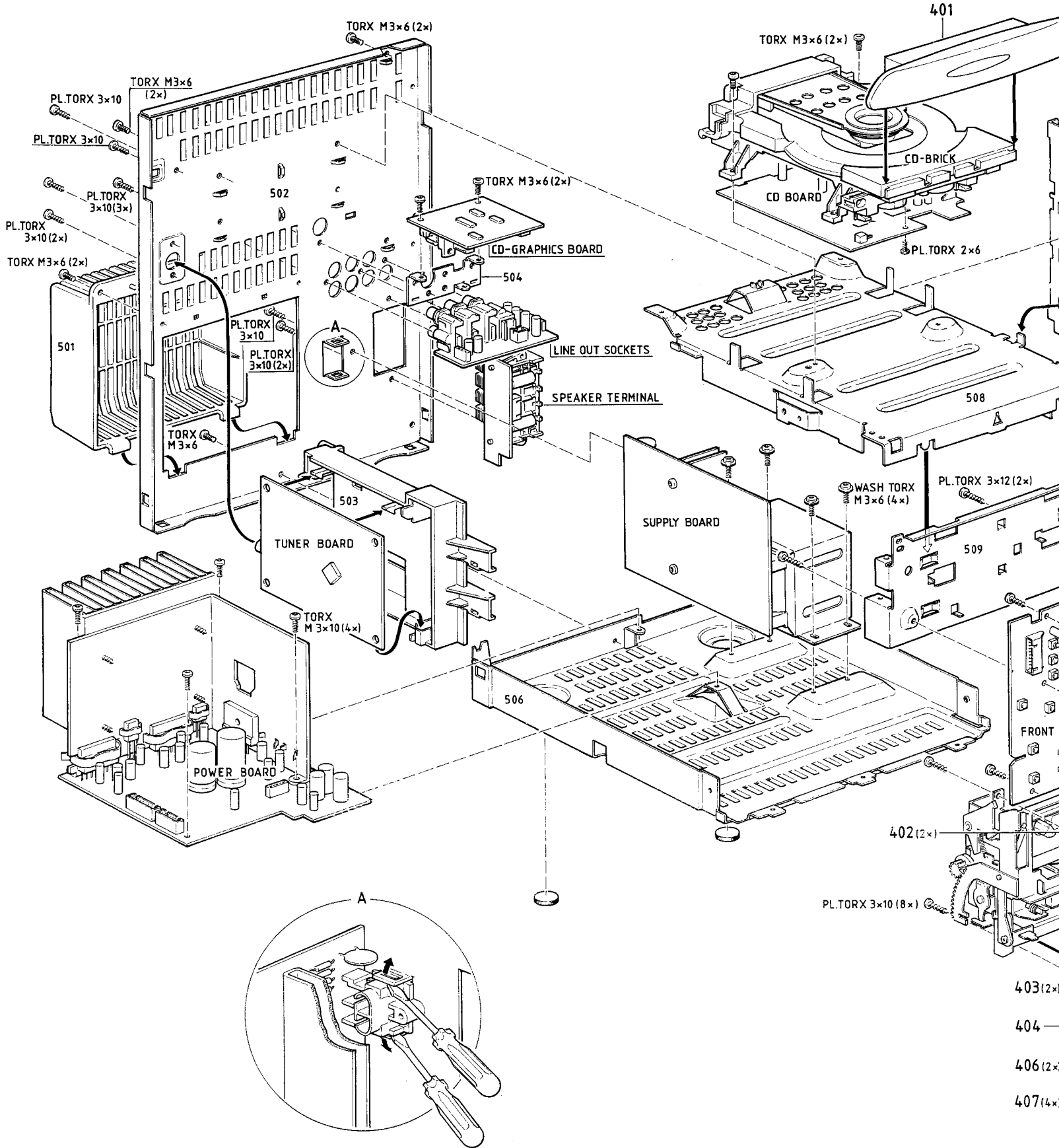
1	4822 249 10472	Rec/Play Head Assy
10	4822 403 70729	Pinch Arm Assy L
12	4822 403 70731	Pinch Arm Assy R
18	4822 157 70155	Solenoid
24	4822 358 31219	Belt FR
38	4822 276 13318	Switch Mode
39	4822 278 90613	Switch Leaf
40	4822 209 31816	Hall IC
45	4822 358 31221	Main Belt
102	4822 532 52488	Washer

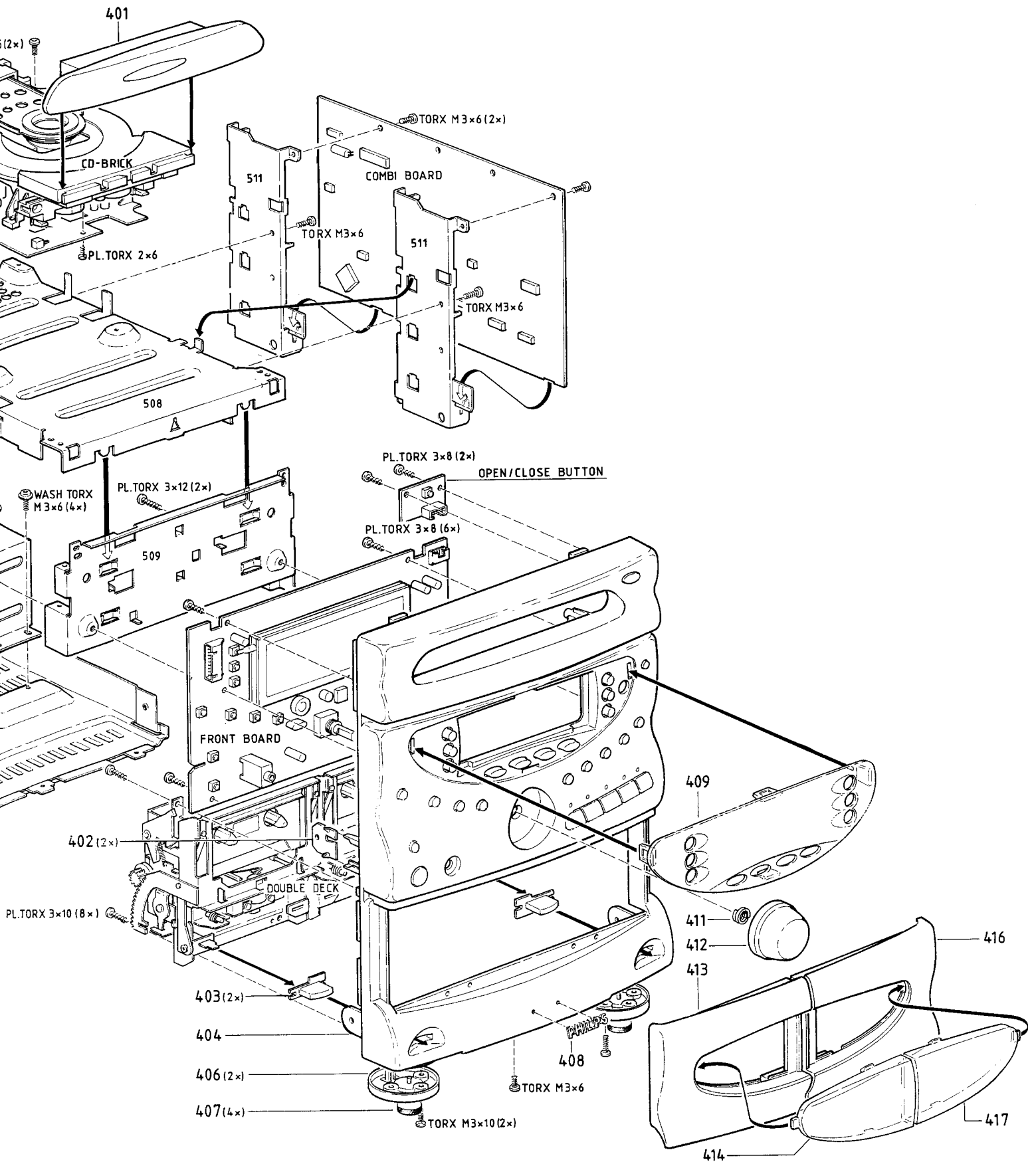
Note: Only the parts mentioned in this list are normal service spare parts.





EXPLODED VIEW OF SET I





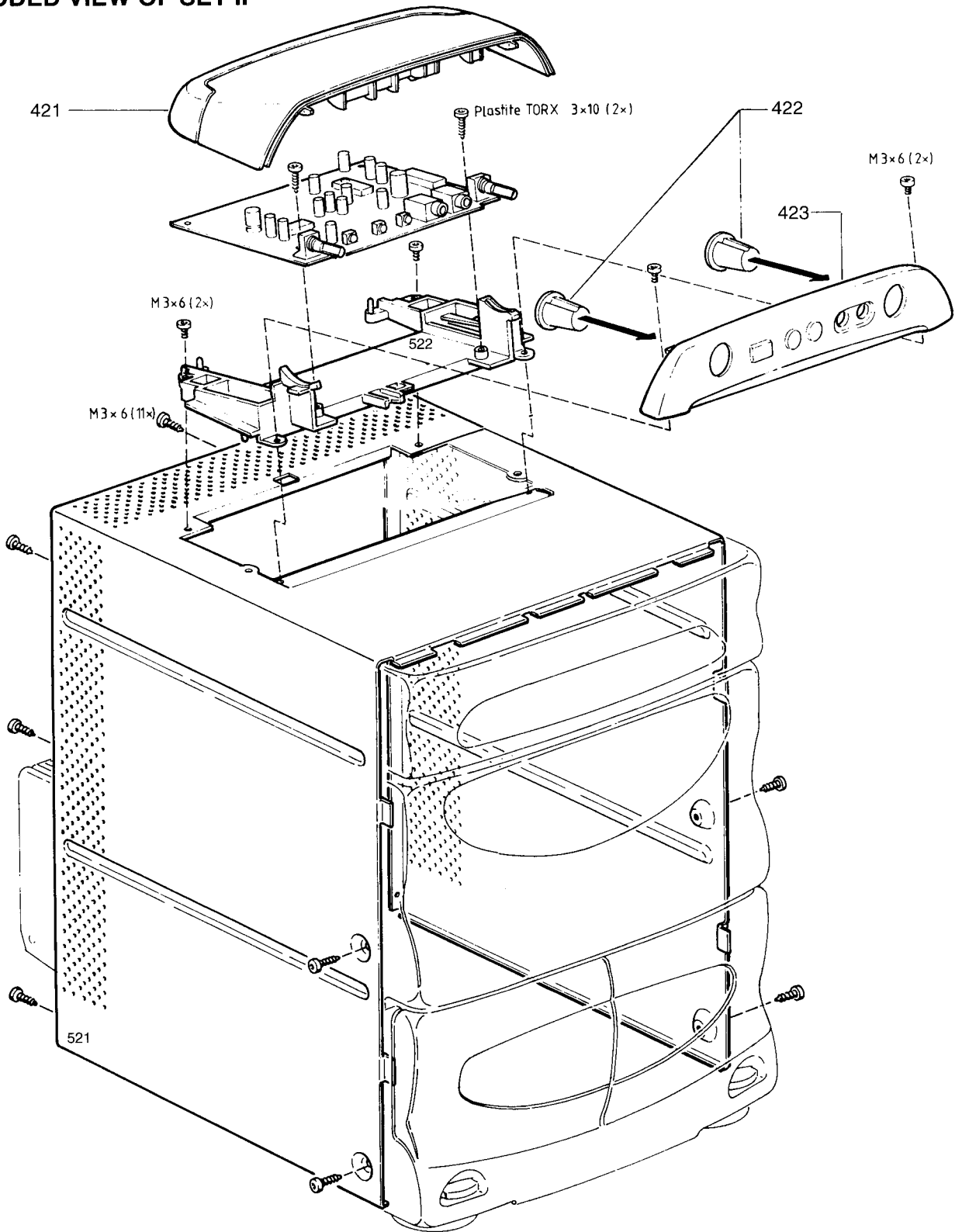
MECHANICAL PARTS

401	4822 444 40844	FRONT CD-TRAY
403	4822 410 63807	EJECT BUTTON
404	4822 425 20209	FRONT PRINTED for sets without RDS
404	4822 425 20212	FRONT PRINTED for sets with RDS only
406	4822 462 42211	FOOT ORNAMENTAL PART
407	4822 462 40683	FOOT RUBBER
408	4822 459 11086	WORDMARK PHILIPS
409	4822 450 62477	WINDOW DISPLAY
411	4822 492 51374	SPRING KNOB CLAMP
412	4822 413 51508	KNOB VOLUME
413	4822 443 64506	CASSETTE DOOR LEFT
414	4822 450 62478	CASSETTE WINDOW LEFT
416	4822 443 64507	CASSETTE DOOR RIGHT
417	4822 450 62479	CASSETTE WINDOW RIGHT
421	4822 444 40836	COVER KARAOKE
422	4822 413 41916	KNOB KARAOKE
	4822 492 51374	SPRING KNOB CLAMP
501	4822 444 40835	COVER HEATSINK
423	4822 426 51832	FRONT KARAOKE

MISCELLANEOUS

5001	4822 157 40202	TOROID RING 23x14x7
8030	4822 321 63183	CABLE WITH CAPACITOR
	4822 445 10443	LOUDSPEAKER BOX
	4822 218 21342	IRT RC8601/01
	4822 303 50063	FM AERIAL
	4822 303 50082	AM FRAME AERIAL
	4822 321 10249	MAINS CORD EUROPE

EXPLODED VIEW OF SET II



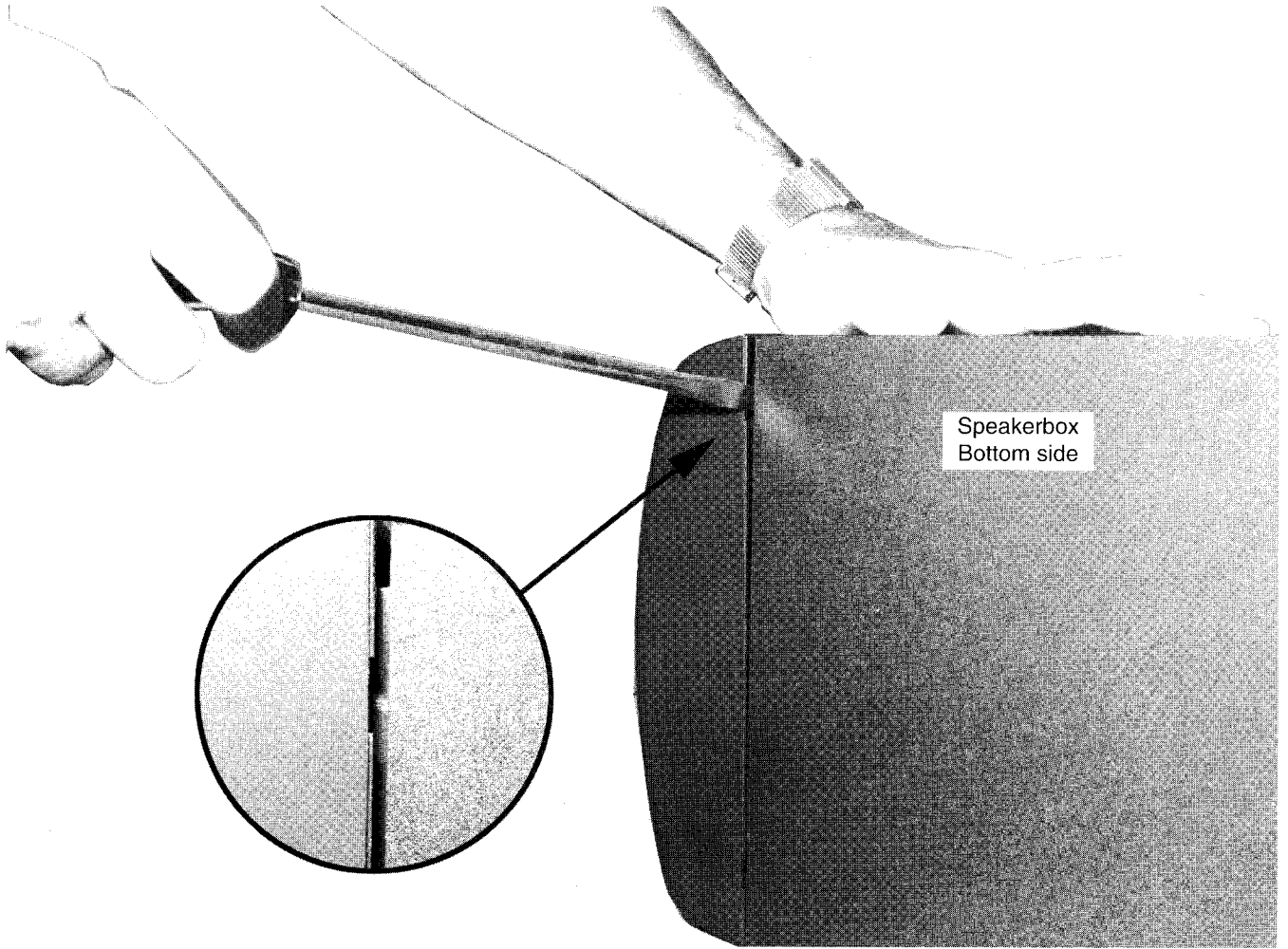
MECHANICAL PARTS

421	4822 444 40836	COVER KARAOKE
422	4822 413 41916	KNOB KARAOKE
	4822 492 51374	SPRING KNOB CLAMP
501	4822 444 40835	COVER HEATSINK
423	4822 426 51832	FRONT KARAOKE

MISCELLANEOUS

5001	4822 157 40202	TOROID RING 23x14x7
8030	4822 321 63183	CABLE WITH CAPACITOR
	4822 445 10443	LOUDSPEAKER BOX
	4822 218 21342	IRT RC8601/01
	4822 303 50063	FM AERIAL
	4822 303 50082	AM FRAME AERIAL
	4822 321 10249	MAINS CORD EUROPE

Dismantling of Speakerbox



Spareparts

